



Betaduct Noryl is manufactured from high grade NH6010B Noryl, which is a modified polymer manufactured by SABIC Innovative Plastics IPBV.

Noryl is halogen-free and has excellent low smoke characteristics. No other manufacturer extrudes ducting from this grade of Noryl. It is recommended for areas where human life or electronic components are a risk.

Noryl is designed and specified for installations in hazardous applications such as rail, underground, marine, mass transit and military applications. It is also widely used in petrochemical plants and offshore oil and gas installations, accommodation modules, rail and mass transit applications.

Available in open slot, closed slot or solid wall, in a wide range of sizes with 19mm pitching.

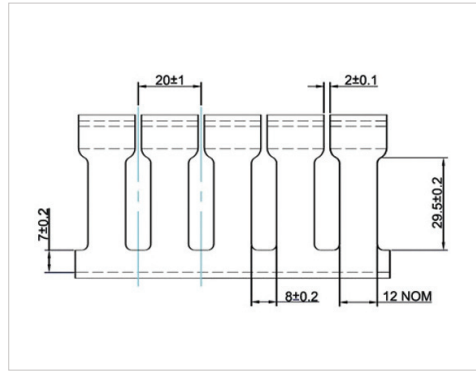


IMAGE © TRANSPORT FOR LONDON 2005

KEY SPECIFICATIONS

- Made From A Self-Extinguishing Noryl Extra, Halogen-Free Material - NH6010B
- Service Temperature Rating of -30°C to +120°C
- Flammability Rating UL94 V-0 Rated Material. BS 476 Part 7 Class I (Y).
- Base slots to DIN 43659. UL and Lloyds Register.





Noryl Open Slot Betaduct features wide fingers, which give additional cable support and terminated wires can be re-routed easily. For use when bundles, cables and wires need supporting in control panels, distribution boards and switchgear. Designed and specified for installations in hazardous applications such as rail, underground, marine, mass transit and military applications. Widely used in petrochemical plants and off shore oil and gas installations and accommodation modules.

Available in 7 sizes. Recommended fixing method; Betaduct rivets or washers. **Supplied with lid.**

SPECIFICATIONS

MATERIAL:

Self-Extinguishing Noryl Extra, Halogen-Free NH6010B Material.

SLOT PITCH: 20mm **SLOT WIDTH:** 8mm **WEBS:** 12mm

COLOUR:

Black RAL 9004

SERVICE TEMPERATURE RATING:

-30°C to +120°C

FLAMMABILITY:

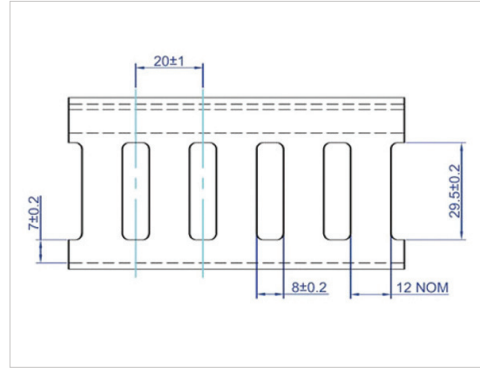
UL94 V-0 Rated Material. BS 476 Part 7 Class I (Y)

STANDARDS:

Base slots to DIN 43659. UL and Lloyds Register.

PART NO.	NOMINAL SIZE INNER (WxH) mm	NOMINAL SIZE OUTER (WxH) mm	PACK QTY (m)
23461000	25 x 37.5	29 x 38	24
23462000	25 x 50	29 x 54	24
23463000	25 x 75	29 x 79	16
23464000	50 x 50	54 x 54	16
23465000	50 x 75	54 x 79	16
23466000	75 x 75	80 x 80	16
23467000	50 x 100	54 x 104	8





Noryl Closed Slot Betaduct provides lightweight self-extinguishing cable trunking with excellent rigidity and performance characteristics. It has excellent cable retention with enhanced protection for installers. For use when bundles, cables and wires need supporting in control panels, distribution boards and switchgear. Designed and specified for installations in hazardous applications such as rail, underground, marine, mass transit and military applications. Widely used in petrochemical plants and off shore oil and gas installations and accommodation modules.

Available in 6 sizes. Recommended fixing method; Betaduct rivets or washers. [Supplied with lid.](#)

SPECIFICATIONS

MATERIAL:

Self-Extinguishing Noryl Extra, Halogen-Free NH6010B Material.

SLOT PITCH: 20mm **SLOT WIDTH:** 8mm **WEBS:** 12mm

COLOUR:

Black RAL 9004

SERVICE TEMPERATURE RATING:

-30°C to +120°C

FLAMMABILITY:

UL94 V-0 Rated Material. BS 476 Part 7 Class I (Y)

STANDARDS:

Base slots to DIN 43659. UL and Lloyds Register.

PART NO.	NOMINAL SIZE INNER (WxH) mm	NOMINAL SIZE OUTER (WxH) mm	PACK QTY (m)
23451000	25 x 37.5	29 x 38	24
23452000	25 x 50	29 x 54	24
23453000	25 x 75	29 x 79	16
23454000	50 x 50	54 x 54	16
23455000	50 x 75	55 x 79	16
23456000	75 x 75	80 x 80	16





Noryl Solid Wall Betaduct fully encloses cables providing maximum protection. Ideal for use where little or no breakouts are required when bundles, cables and wires need supporting in control panels, distribution boards and switchgear. Designed and specified for installations in hazardous applications such as rail, underground, marine, mass transit and military applications.

Available in 6 sizes. Recommended fixing method; Betaduct rivets or washers. **Supplied with lid.**

SPECIFICATIONS

MATERIAL:

Self-Extinguishing Noryl Extra, Halogen-Free NH6010B Material.

COLOUR:

Black RAL 9004

SERVICE TEMPERATURE RATING:

-30°C to +120°C

FLAMMABILITY:

UL94 V-0 Rated Material. BS 476 Part 7 Class I (Y)

STANDARDS:

Base slots to DIN 43659. UL and Lloyds Register.

PART NO.	NOMINAL SIZE INNER (WxH) mm	NOMINAL SIZE OUTER (WxH) mm	PACK QTY (m)
23471000	25 x 35	29 x 39	24
23472000	25 x 50	29 x 54	24
23473000	25 x 75	29 x 79	16
23474000	50 x 50	54 x 54	16
23475000	50 x 75	55 x 79	16
23476000	75 x 75	80 x 80	16



SPECIFICATIONS

MATERIAL:

Self-Extinguishing Noryl Extra, Halogen-Free NH6010B Material.

COLOUR:

Black RAL 9004

SERVICE TEMPERATURE RATING:

-30°C to +120°C

FLAMMABILITY:

UL94 V-0 Rated Material. BS 476 Part 7 Class I (Y)

STANDARDS:

Base slots to DIN 43659. UL and Lloyds Register.



PART NO.	WIDTH (mm)	PACK QTY (m)
23481000	25	24
23482000	50	24
23483000	75	24

