

1



Igniters

Auburn Igniters are the industry leading standard for combustion equipment since 1910. The Auburn range of igniters consists of over 88 unique part numbers. Auburn Igniters are used as original equipment by many of the worlds largest combustion equipment manufacturers. Auburn insulators are renowned for having excellent dielectric strength, high mechanical strength, high thermal conductivity and excellent resistance to heat shock.

Centre electrodes are fabricated from Auburn developed alloys. Designed to resist both sparking erosion and chemical corrosion under normal and extreme operating temperature conditions. Center wires are made from Nickel, Chromel, Inconel or Kanthal depending on the particular application.

The Hexagon provides contact for a socket wrench during installation and removal. A variety of Hex sizes and thread patterns are available in the Auburn range.

Auburn continue to develop new innovate products and unique products to meet specific customer needs.

Igniters



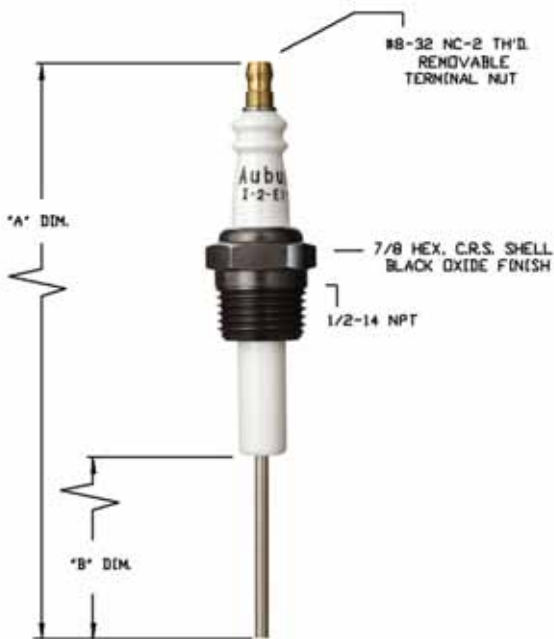
Auburn Sales Symbol	SKU	Thread	Center Electrode Material	HEX	Auburn Sales Symbol	SKU	Thread	Center Electrode Material	HEX
I-2	12944	1/2-14 NPT	Nickel	7/8	I-64-1	12958	1/2-14 NPT	Nickel	7/8
I-2-1	12946	1/2-14 NPT	Nickel	7/8	I-64-3	12959	1/2-14 NPT	Nickel	7/8
I-2-2	12948	1/2-14 NPT	Nickel	7/8	I-64-4	12963	1/2-14 NPT	Nickel	7/8
I-2-EI-2	13137	1/2-14 NPT	Nickel	7/8	I-67	12962	18MM X 1.5MM	304 SS	7/8
I-2 with 48-13/16" c/w	13881	1/2-14 NPT	Nickel	7/8	I-75-4	13332	1/4-20 NEF	Nickel	15/16
I-3	12987	14mm x 1.25mm	Nickel	13/16	I-75-5	12949	1/4-20 NEF	Nickel	15/16
I-5-99	13008	1/2-14 NPT	Nickel	15/16	I-75-6	13211	3/4-20 NEF-2	Nickel	15/16
I-5-99 with 48" c/w	13309	1/2-14 NPT	Nickel	15/16	I-78	12998	7/8-18 NPT	Nickel	15/16
I-6	12954	1/2-14 NPT	Nickel	7/8	I-78-2	12995	7/8-14 NPT	Nickel	15/16
I-6 SP with 24" c/w	13779	1/2-14 NPT	Nickel	7/8	I-82	12960	No Thread	Kanthal	no HEX
I-6 with 45" c/w	13827	1/2-14 NPT	Nickel	7/8	I-90-3	13011	3/4-14 NPT	Nickel	1 1/8
IA-9	12967	13/16-24	Nickel	13/16	I-90-6	13015	3/4-14 NPT	Nickel	1 1/8
IA-9-C	13345	13/16-24	Nickel	13/16	I-90-7	13016	3/4-14 NPT	Nickel	1 1/8
IC-9-2	12965	7/8-18 NPT	Nickel	1.125	I-90-8	13018	3/4-14 NPT	Nickel	1 1/8
IC-9-4	13344	7/8-18 NPT	Inconel	1.125	I-96-1	13536	No Thread	Nickel	no HEX
I-10-25	12986	1/2"	Nickel	13/16	I-96-3	13529	No Thread	Nickel	no HEX
IC-10	12973	7/18-18	Nickel	1 1/8	I-101	12982	10mm x 1mm	Nickel	11/16
IA-15-1	12978	13/16-24	Nickel	13/16	I-102	12983	10mm x 1mm - SAE	Nickel	11/16
IC-15	12976	7/8-18 NPT	Nickel	1.125	I-143	12999	14mm x 1.25mm - SAE	Kanthal	13/16
IC-15-3B	12979	7/8-18 NPT	Nickel	1.125	I-144	13000	14mm x 1.25mm - SAE	Kanthal	13/16
IP-16	13004	1/2-14 NPT	Nickel	15/16	I-147-2	14305	14mm x 1.25mm - SAE	Kanthal	13/18
IP-16-EI	13124	1/2-14 NPT	Nickel	15/16	I-181	12996	18mm x 1.5mm	Nickel	7/8
IP-17	13005	1/2-14 NPT	Nickel	15/16	I-182	13270	18mm x 1.5mm	Nickel	7/8
I-18	12969	1/2 - 14NPT	Nickel	15/16	I-182-1	12997	18mm x 1.5mm	Nickel	7/8
I-18-14	12970	13/16-24 NEF	Nickel	15/16	Shielded Igniters				
I-18-16	13218	N/A	Inconel	N/A	SI-140	13019	14MM X 1.25MM	Nickel	13/16
I-18K	12972	1/2-14 NPT	Kanthal	15/16	SI-140-1NM	13380	14MM X 1.25MM	Nickel	13/16
IP-19	13006	1/2-14 NPT	Nickel	15/16	SI-141	13020	14MM X 1.25MM	Nickel	3/16
OJ-21-1	13001	14MM X 1.25MM	Nickel	13/16	SI-180	13023	18MM X 1.5MM	Nickel	7/8
OJ-21-4	13002	14MM X 1.25MM	Nickel	13/16	SI-180RH	13414	18MM X 1.5MM	Nickel	7/8
OJ-21-5	13003	14MM X 1.25MM	Nickel	13/16	SI-183-1	13397	18MM X 1.5MM	Nickel	7/8
I-25	12951	1/2-14 NPT	Nickel	7/8	SI-185	13025	18MM X 1.5MM	Nickel	7/8
I-25-3	13206	1/2-14 NPT	Nickel	7/8	SI-186	13026	18MM X 1.5MM	Nickel	7/8
I-25 LNG (4.550)	13148	1/2-14 NPT	Nickel	7/8	SI-187	13027	18MM X 1.5MM	Nickel	7/8
I-28	12952	18mm x 1.5mm	Nickel	7/8	SI-188	13028	18MM X 1.5MM	Nickel	7/8
I-31	12989	14mm x 1.25mm	Nickel	13/16	SI-230	13029	Special	Nickel	15/16
I-31-1	12990	14mm x 1.25mm	Nickel	13/16	SI-322	13032	18MM X 1.5MM	Nickel	7/8
I-31-2	13238	14mm x 1.25mm	Nickel	13/16	SI-323	13399	18MM X 1.5MM	Inconel	7/8
I-31-3	12991	14mm x 1.25mm	Inconel	13/16	SI-324	13401	18MM X 1.5MM-SAE	Inconel	7/8
I-31-5-3.3	13122	14mm x 1.25mm	Nickel	13/16	SI-328-2	13407	18MM X 1.5MM-SAE	Chromel	1"
I-31-6	13169	14mm x 1.25mm	Nickel	13/16	SI-346	13022	14MM X 1.25MM	Nickel	13/16
I-32	12992	14mm x 1.25mm	Nickel	13/16					
I-33	12988	14mm x 1.25mm	Nickel	13/16					
I-33 SP with 18" c/w	13781	14mm x 1.25mm	Nickel	13/16					
I-33 SP with 6" c/w	13795	14mm x 1.25mm	Nickel	13/16					
I-33 SP with 4.5" c/w	13776	14mm x 1.25mm	Nickel	13/16					
I-63	12956	18MM X 1.5MM	Nickel	7/8					



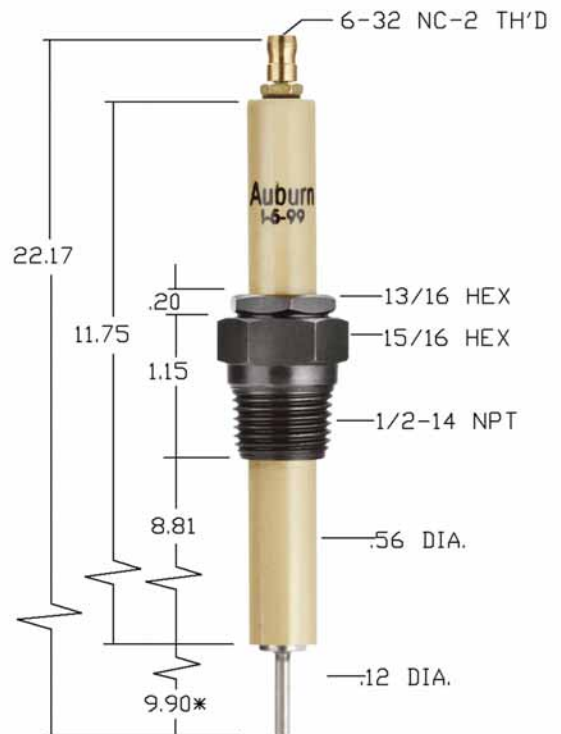
I-2



I-3

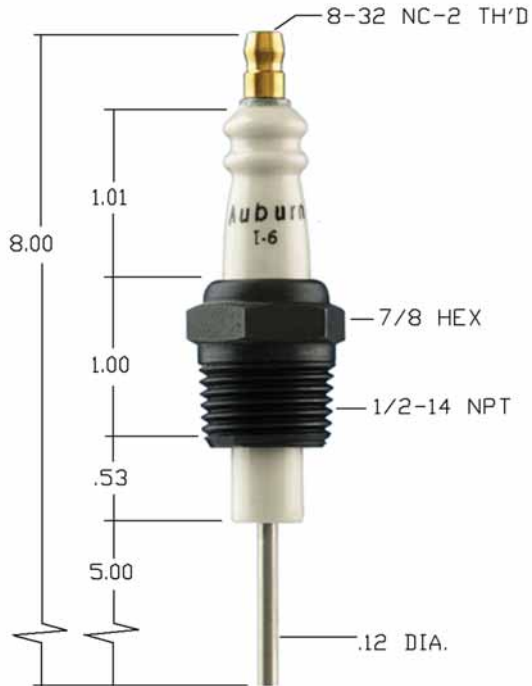


I-2-EI-2



I-5-99

Igniters

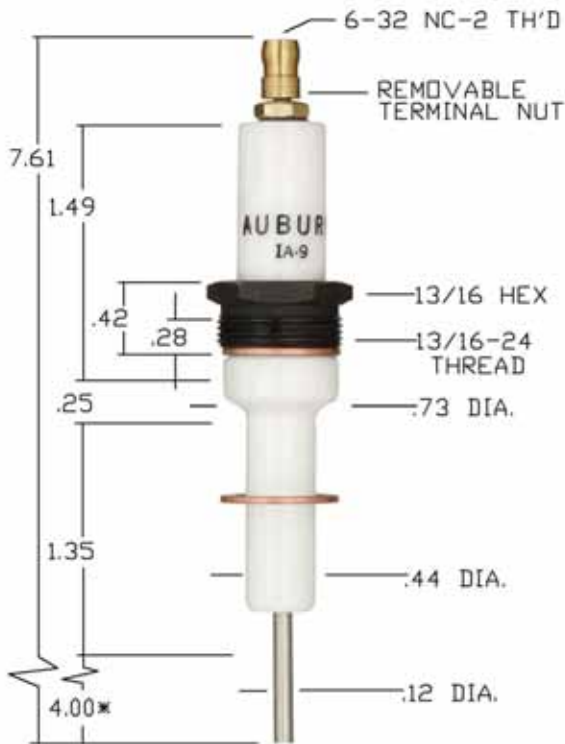


I-6	5 inch centerwire
I-6-24	24 inch centerwire
I-6-45	45 inch centerwire

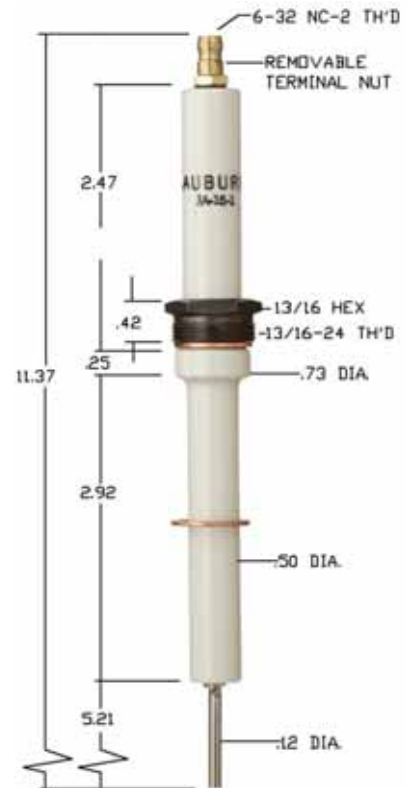
I-6



I-10-25



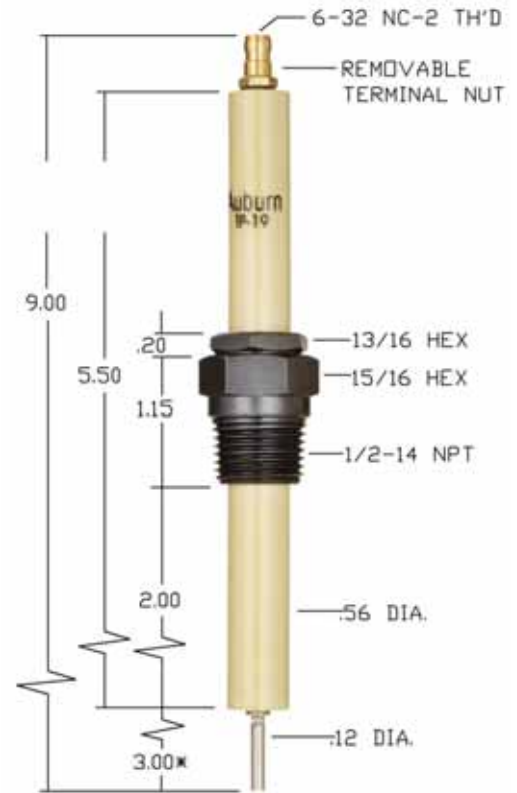
IA-9



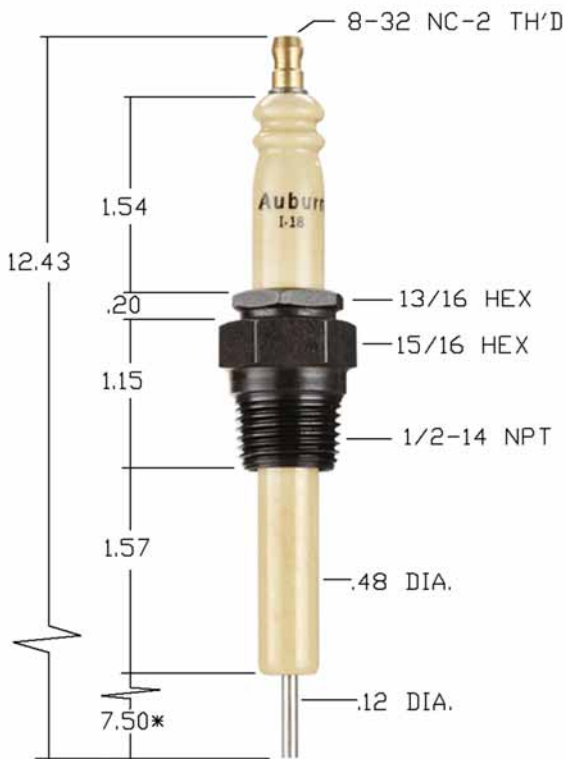
IA-15-1



IP-17



IP-19

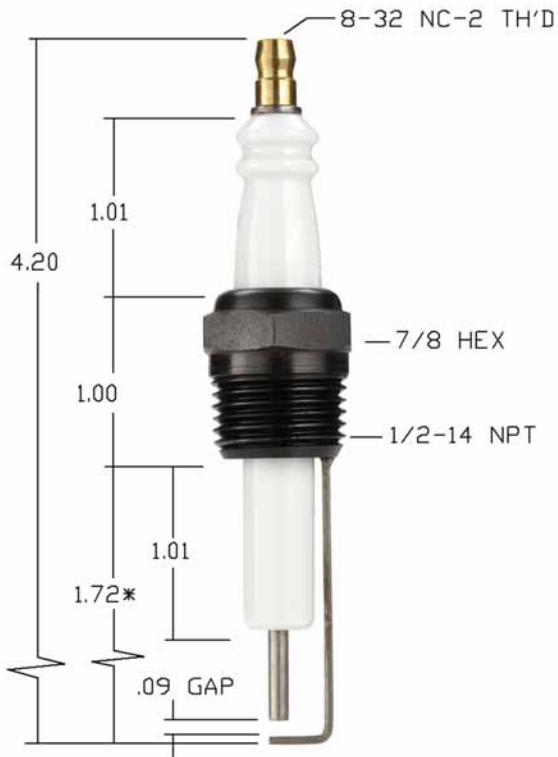


I-18

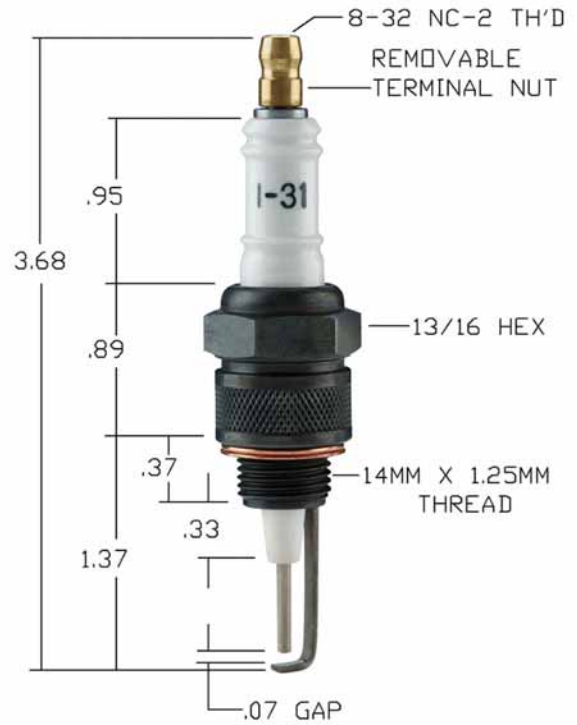


OJ-21-4

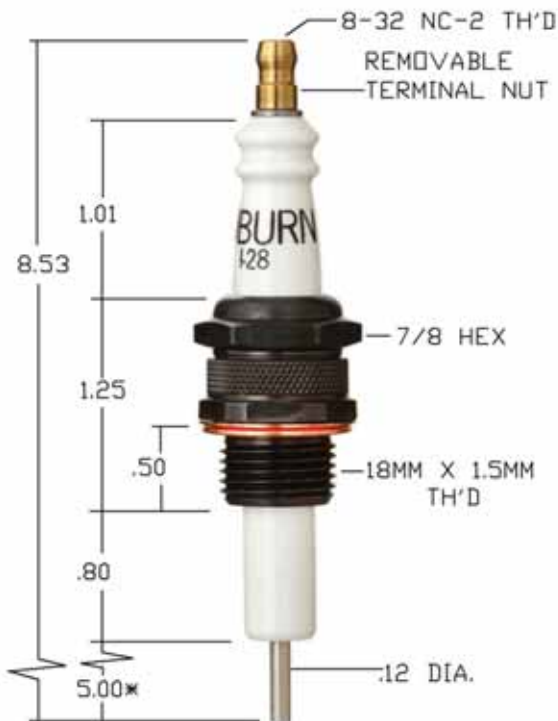
Igniters



I-25



I-31

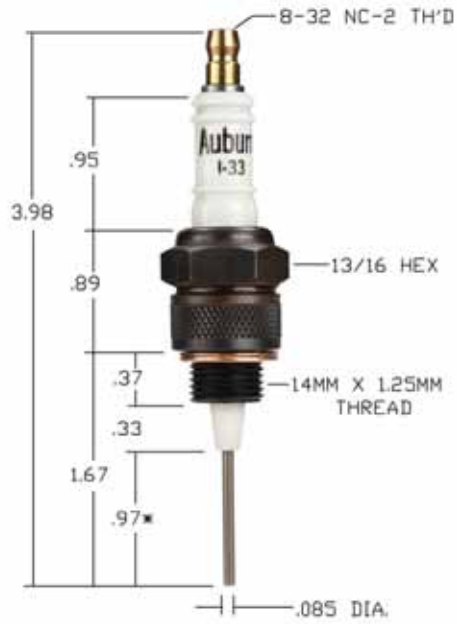


I-28



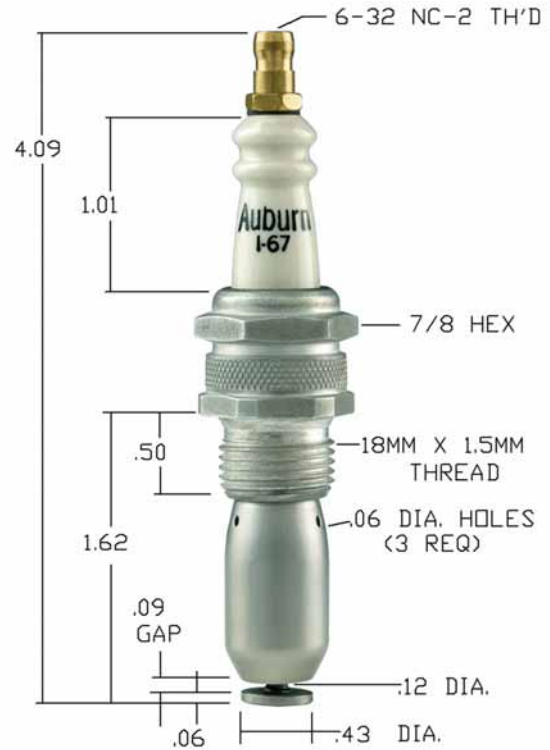
I-31-1	Nickel center wire 1.87 inches
I-31-2	Nickel center wire 2.50 inches
I-31-3	Inconel

I-31-1



I-33	1 inch centerwire
I-33-4.5"	4.5 inch centerwire
I-33-6"	6 inch centerwire
I-33-18"	18 inch centerwire

I-33

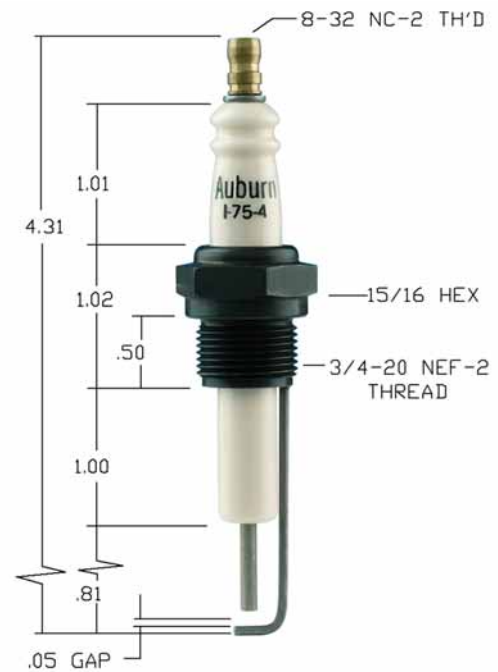


I-67



Product	Dimension B
I-64-1	1.72 inches
I-64-3	3.75 inches
I-64-4	1.12 inches

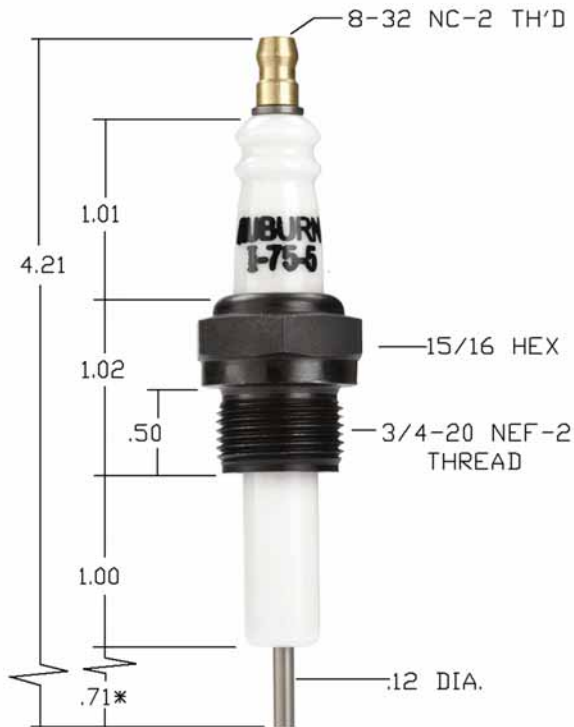
I-64-1



Product	Extension length
I-75-1	obsolete length 1.81 inches
I-75-4	1.81 inches
I-75-6	1.322 inches

I-75-4

Igniters



I-75-5



I-82

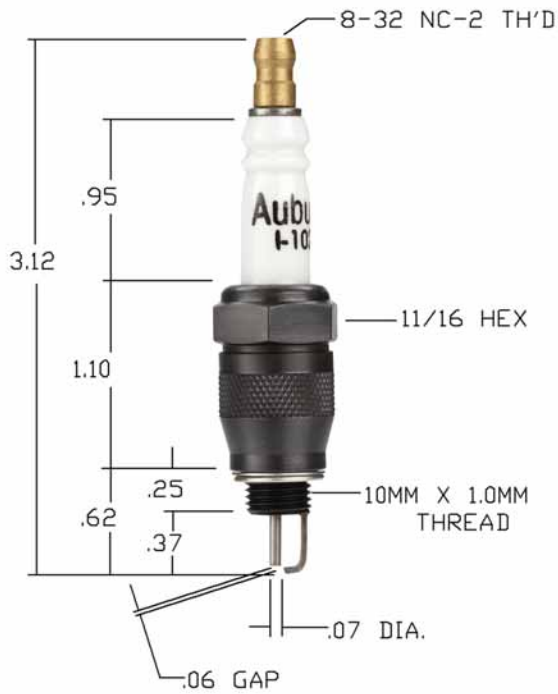


I-78-2

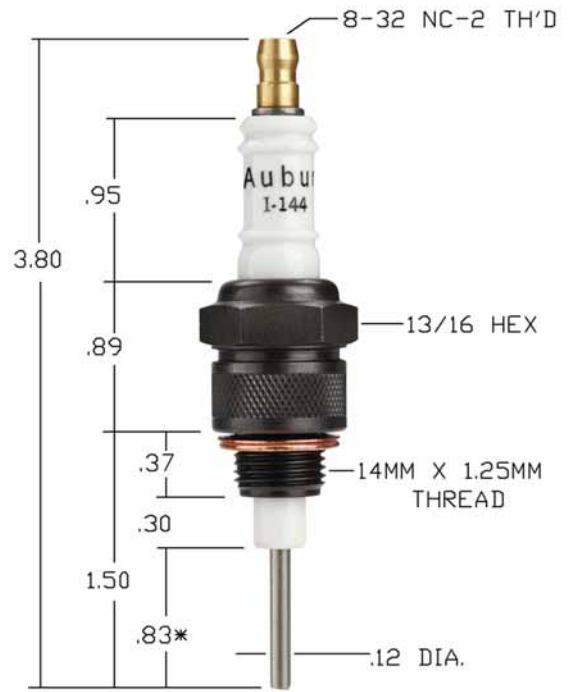


Product	A- Dimension
I-90-3	11.89
I90-6	15.015
I-90-7	12.89
I-90-8	18.64

I-90



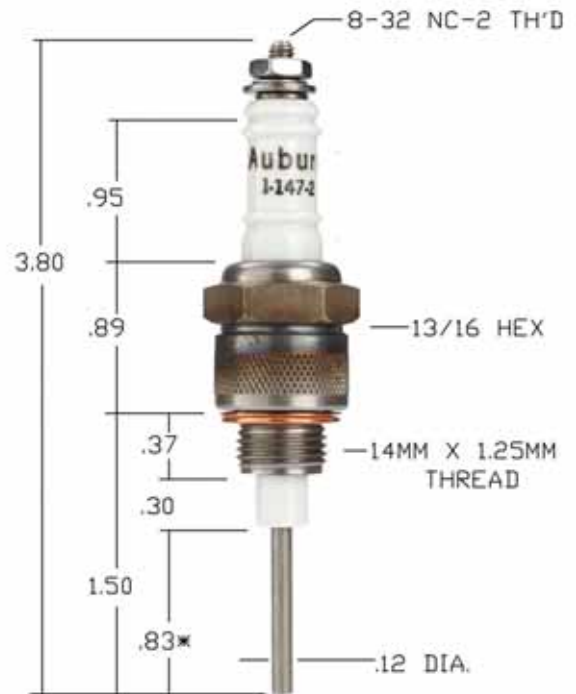
I-101/I-102



I-144

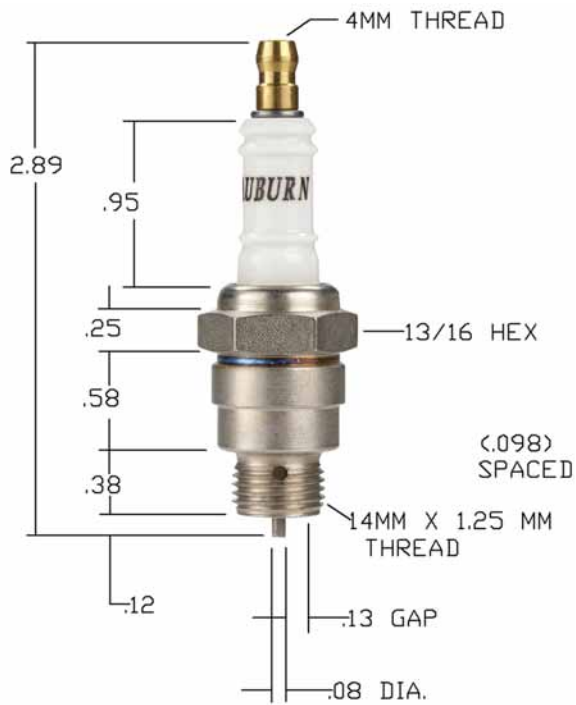


SI-140



I-147-2

Igniters



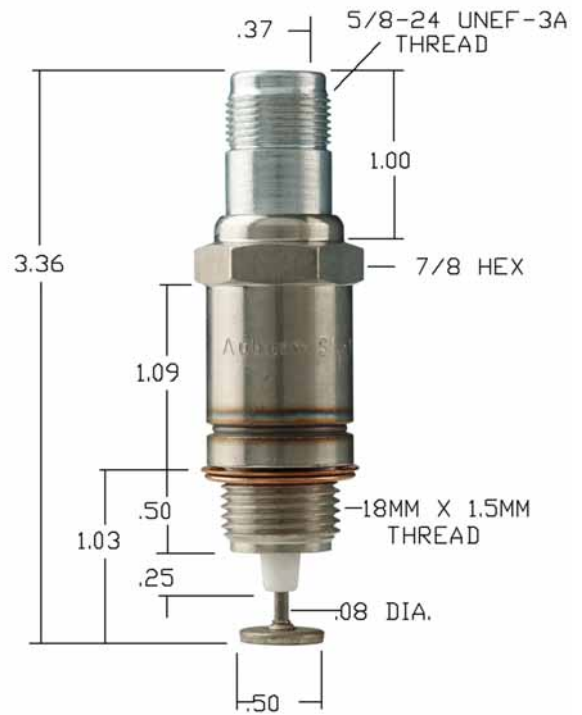
149T-1



I-181



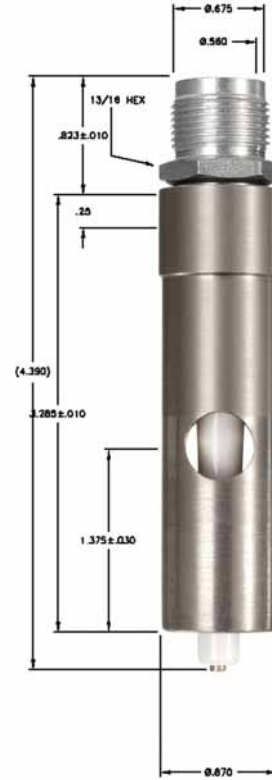
SI-180



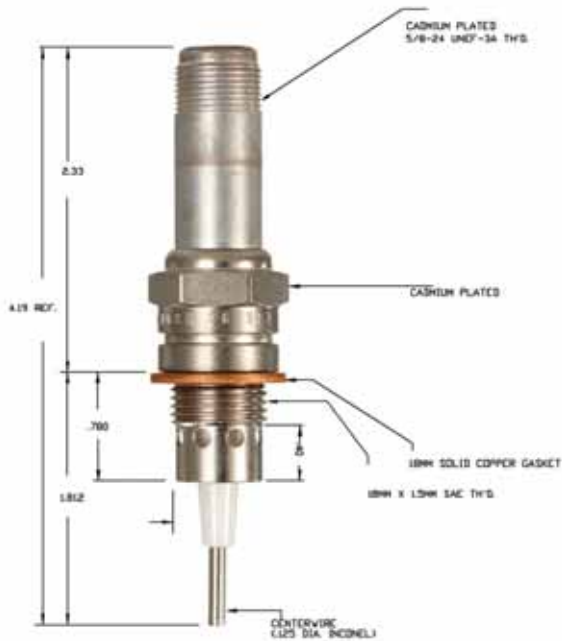
SI-185



SI-186



IG-4765



SI-323