



MEAD Manifold PowerStrip™ for MFD M4V Series Valves

Step 1: Valve

Select an MFD solenoid valve



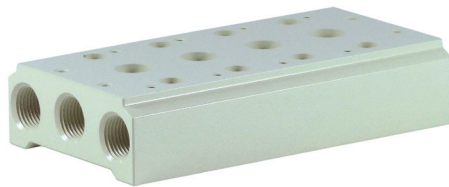
M4V 2 10 - 08 - 24VDC

MODEL	TYPE	PORT SIZE	VOLTAGE
1 - 100 Series	10 - Single Solenoid	06 - 1/8 NPT (100, 200 Series)	12VDC
2 - 200 Series	20 - Double Solenoid	08 - 1/4 NPT (200, 300 Series)	24VDC
3 - 300 Series	30C - 3 Position Double Solenoid Closed Center	10 - 3/8 NPT (300 Series)	24VAC 50/60 Hz
4 - 400 Series	30E - 3 Position Double Solenoid Exhaust Center	15 - 1/2 NPT (400 Series)	120VAC 50/60 Hz



Step 2: Manifold

Match the manifold model to the valve model



M200M - 4F

MODEL	NUMBER OF STATIONS
1 - 100 Series	2F - 2 Stations
2 - 200 Series	4F - 4 Stations
3 - 300 Series	6F - 6 Stations
4 - 400 Series	8F - 8 Stations



Step 3: PowerStrip™

Match the Manifold PowerStrip™ to the valve model, voltage, and manifold length



MPS 2 - 4 - D - C3

MODEL	NUMBER OF STATIONS	OPTIONAL CABLE	VOLTAGE
1 - M4V100 Series	2 to 8 Stations	Blank - None	A - 24-120VAC B - 12-24VDC
2 - M4V200 & M3V1 Series		C3 - 3M Mating Cable	
3 - M4V300 Series		C10 - 10M Mating Cable	
4 - M4V400 Series			



Bill of Materials



ITEM	QTY.	PART NUMBER
Valve	4	M4V210-08-24VDC
Manifold	1	M200M-4F
Manifold PowerStrip™	1	MPS2-4-D-C3

Manifolds with double solenoid valves require two PowerStrips™. See the setup guide on www.Bimba.com for more information.

See MFD Product Catalog for full product specifications.

Mead Fluid Dynamics
Chicago, IL 60641
Telephone: 773.685.6800
Toll Free: 877.MEAD.USA
Email: sales@mead-usa.com
www.mead-usa.com

Leaders in Actuation.

MFD-MPSSG-915

To learn more about this product, scan this QR code with your mobile device.






MEAD Manifold PowerStrip™ for Isonic® V4000 Series Valves

Step 1: Valve

Select an Isonic® solenoid valve



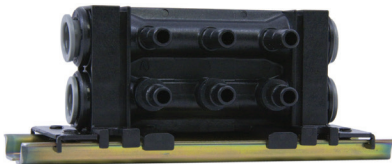
V4 A - 0307 - B X 1 -

COLLET A - 1/4" OD Tube Collet B - 6mm OD Tube Collet	VOLTAGE A - 12VDC B - 24VDC D - 24VAC 50/60 Hz F - 120VAC 50/60 Hz	LED 1 - LED	CONNECTOR X - 8mm Micro DIN Connector	OPTIONS V - Pilot Breather Vent Filter
ACTUATOR TYPE 0307 - Single Solenoid, Spring Return				



Step 2: Manifold

Match the manifold model to the valve model




M4 A 04 - 2 N

COLLET A - 3/8" OD Tube Collet B - 10mm OD Tube Collet	NUMBER OF STATIONS 02 - 2 Stations 03 - 3 Stations 04 - 4 Stations	MANIFOLD ASSEMBLY 0 - Manifold Only 2 - Manifold Mounted on DIN Rail
---	--	---



Step 3: PowerStrip™

Match the Manifold PowerStrip™ to the manifold length




MPS 5 - 4 -

MODEL 5 - V4000 Series	NUMBER OF STATIONS 2 - 2 Stations 3 - 3 Stations 4 - 4 Stations	OPTIONAL CABLE Blank - None C10 - 10M Mating Cable
----------------------------------	---	---



Bill of Materials



ITEM	QTY.	PART NUMBER
Valve	4	V4A-0307-BX1
Manifold	1	M4A04-2N
Manifold PowerStrip™	1	MPS5-4

See Mead Full Line Catalog for full product specifications.

Mead Fluid Dynamics
Chicago, IL 60641
Telephone: 773.685.6800
Toll Free: 877.MEAD.USA
Email: sales@mead-usa.com
www.mead-usa.com

Leaders in Actuation.

MFD-MPSSG-915

To learn more about this product, scan this QR code with your mobile device.

