

Sonder Sensor



M12 Automatisierungstechnik - Sonder - S-Kodierung

M12 Automation Technology - Special - S-Coding

Kabelsteckverbinder

- Schraubverriegelung nach DIN EN 61076-2-111
- Schutzart IP67 ¹⁾
- Einfache Montage
- 630 V/12 A
- Winkelsteckverbinder in 4 Positionen einstellbar

Flanschsteckverbinder

- Schraubverriegelung nach DIN EN 61076-2-111
- Schutzart IP67 ¹⁾
- Einfache Montage
- Litzen
- Verschiedene Bauformen

Cable Connectors

- Screw locking according to DIN EN 61076-2-111
- Degree of protection IP67 ¹⁾
- Easy assembly
- 630 V/12 A
- Angled connector adjustable in 4 positions

Panel Mount Connectors

- Screw locking according to DIN EN 61076-2-111
- Degree of protection IP67 ¹⁾
- Easy assembly
- Single wires
- Various variants

¹⁾Erläuterung der Schutzarten siehe technische Informationen./ ¹⁾Explanation of protection standards see technical information.

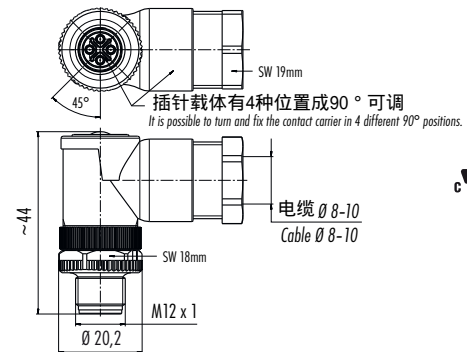
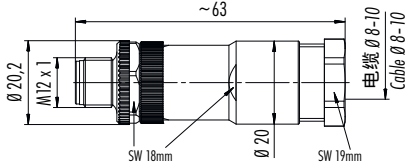
电缆连接器，针，带S-coding，电源
Male cable connector with S-coding, Power

弯角连接器，针，带S-coding，电源
Male angled connector with S-coding, Power

图例/ Figure



尺寸图/ Drawing



订货信息/ Order Data

芯数 Contacts	电缆出口直径 Cable outlet	订货号 Ordering-No.
3+PE	8-10 mm	99 0689 19 04

芯数 Contacts	电缆出口直径 Cable outlet	订货号 Ordering-No.
3+PE	8-10 mm	99 0689 58 04

技术参数 / Specifications

芯数	3+PE	Number of contacts
锁紧方式	M12螺母锁紧 / screw	Connector locking system
接线方式	螺钉接线 / screw clamp	Termination
导线截面	max. 1,5 mm ² (max. AWG 16)	Wire gauge
电缆出口直径	8-10 mm	Cable outlet
防护等级	IP67	Degree of protection
插拔周期	>100插拔周期 / > 100 mating cycles	Mechanical operation
最高工作温度	+ 85 °C	Upper temperature
最低工作温度	- 40 °C	Lower temperature
额定电压	630 V	Rated voltage
额定冲击电压	6000 V	Rated impulse voltage
污染等级	3	Pollution degree
过电压等级	III	Overvoltage categorie
绝缘等级	III	Material group
额定电流 (40 °C)	12 A	Rated current (40 °C)
触点电阻	≤ 3 mΩ	Contact resistance
插针材料	CuZn (黄铜 / brass)	Material of contact
插针表面材料	Au (金 / gold)	Contact plating
插头主体材料	PA	Material of contact body
外壳材料	PA	Material of housing

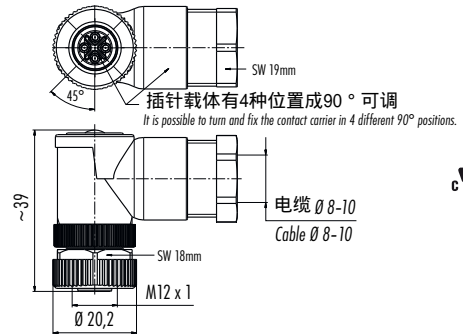
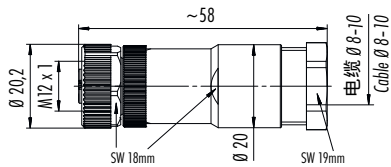
电缆连接器，孔，带S-coding，电源
Female cable connector with S-coding, Power

弯角连接器，孔，带S-coding，电源
Female angled connector with S-coding, Power

图例/ Figure



尺寸图/ Drawing



订货信息/ Order Data

芯数 Contacts	电缆出口直径 Cable outlet	订货号 Ordering-No.
3+PE	8-10 mm	99 0690 19 04

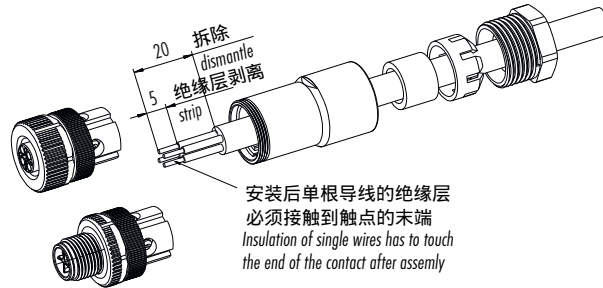
芯数 Contacts	电缆出口直径 Cable outlet	订货号 Ordering-No.
3+PE	8-10 mm	99 0690 58 04

技术参数 / Specifications

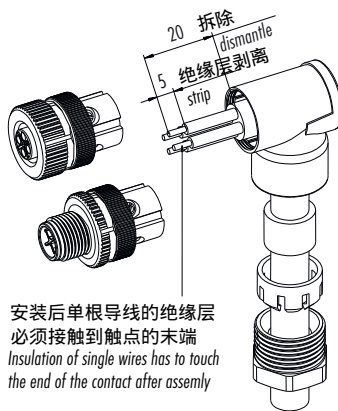
芯数	3+PE	Number of contacts
锁紧方式	M12螺母锁紧 screw	Connector locking system
接线方式	螺钉接线/screw clamp	Termination
导线截面	max. 1,5 mm ² (max. AWG 16)	Wire gauge
电缆出口直径	8-10 mm	Cable outlet
防护等级	IP67	Degree of protection
插拔周期	>100插拔周期 / > 100 mating cycles	Mechanical operation
最高工作温度	+ 85 °C	Upper temperature
最低工作温度	- 40 °C	Lower temperature
额定电压	630 V	Rated voltage
额定冲击电压	6000 V	Rated impulse voltage
污染等级	3	Pollution degree
过电压等级	III	Overvoltage categorie
绝缘等级	III	Material group
额定电流 (40 °C)	12 A	Rated current (40 °C)
触点电阻	≤ 3 mΩ	Contact resistance
插针材料	CuZn (黄铜/brass)	Material of contact
插针表面材料	Au(金/gold)	Contact plating
插头主体材料	PA	Material of contact body
外壳材料	PA	Material of housing

安装指南
Assembly instruction

电缆连接器裸线度量，螺钉接线，不带屏蔽
Strip measures cable connectors, screw clamp connection, not shieldable



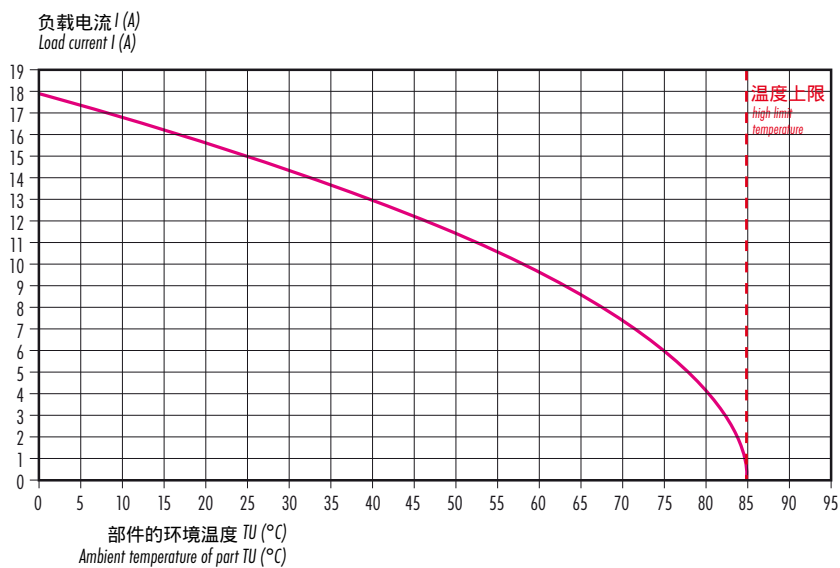
弯角连接器裸线度量，螺钉接线，不带屏蔽
Strip measures angled connectors, screw clamp connection, not shieldable



额定
Rating

额定参量曲线
符合DIN EN 60512标准
适用于电源电缆连接器
Derating curve
according to DIN EN 60512 for
POWER cable connectors

■ S-coding 4芯系列
S-coding 4 pole version





Mf 042012
1214DE

Mf 042012
1214DE

PG 7
Metall

Y66F ES17

G 9
Kunststoff

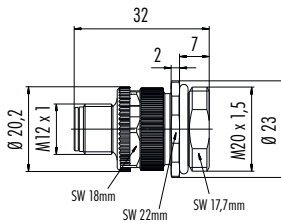
面板安装连接器，针，带S-coding，电源，螺钉接线
Male panel mount connector with S-coding, Power, screw clamp connection

面板安装连接器，针，带S-coding，电源，带连接线
Male panel mount connector with S-coding, Power, with single wires

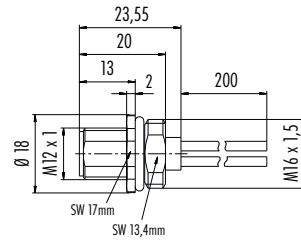
图例/ Figure



尺寸图/ Drawing



CS US



CS US

订货信息/ Order Data

芯数 Contacts	安装螺纹尺寸 Fixing thread	订货号 Ordering-No.
3+PE	M20 x 1,5	99 0693 500 04

芯数 Contacts	安装螺纹尺寸 Fixing thread	订货号 Ordering-No.
3+PE	M16 x 1,5	09 0691 700 04

技术参数 / Specifications

芯数	3+PE	Number of contacts
锁紧方式	M12螺母锁紧 screw	Connector locking system
接线方式	螺钉接线 已装配连接线(AWG 16)/ screw clamp, single wires (AWG 16)	Termination
导线截面	max. 1,5 mm ² (max. AWG 16)	Wire gauge
电缆出口直径	—	Cable outlet
防护等级	IP67	Degree of protection
插拔周期	>100插拔周期/> 100 mating cycles	Mechanical operation
最高工作温度	+ 85 °C	Upper temperature
最低工作温度	- 40 °C	Lower temperature
额定电压	630 V	Rated voltage
额定冲击电压	6000 V	Rated impulse voltage
污染等级	3	Pollution degree
过电压等级	III	Overvoltage categorie
绝缘等级	III	Material group
额定电流 (40 °C)	12 A	Rated current (40 °C)
触点电阻	≤ 3 mΩ	Contact resistance
插针材料	CuZn (黄铜/brass)	Material of contact
插针表面材料	Au (金/gold)	Contact plating
插头主体材料	PA	Material of contact body
外壳材料	PA, 铸锌镀镍/zinc diecasting nickel plated	Material of housing

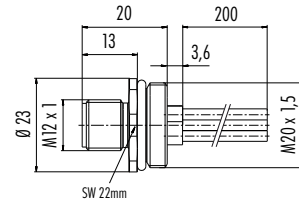
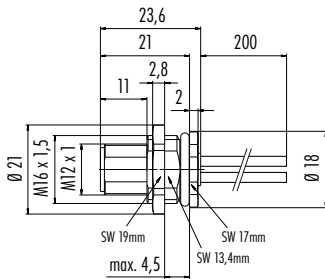
面板安装连接器，针，带S-coding，电源，板前固定，带连接线
Male panel mount connector with S-coding, Power, front fastened, with single wires

面板安装连接器，针，带S-coding，电源，带连接线，M20x1.5
Male panel mount connector with S-coding, Power, with single wires, M20 x 1,5

图例/ Figure



尺寸图/ Drawing



订货信息/ Order Data

芯数 Contacts	安装螺纹尺寸 Fixing thread	订货号 Ordering-No.
3+PE	M16 x 1,5	09 0691 121 04

芯数 Contacts	安装螺纹尺寸 Fixing thread	订货号 Ordering-No.
3+PE	M20 x 1,5	09 0691 642 04

技术参数 / Specifications

芯数	3+PE	Number of contacts
锁紧方式	M12螺母锁紧 screw	Connector locking system
接线方式	已装配连接线(AWG 16)/single wires (AWG 16)	Termination
导线截面	max. 1,5 mm ² (max. AWG 16)	Wire gauge
电缆出口直径	—	Cable outlet
防护等级	IP67	Degree of protection
插拔周期	>100插拔周期 /> 100 mating cycles	Mechanical operation
最高工作温度	+ 85 °C	Upper temperature
最低工作温度	- 40 °C	Lower temperature
额定电压	630 V	Rated voltage
额定冲击电压	6000 V	Rated impulse voltage
污染等级	3	Pollution degree
过电压等级	III	Overvoltage categorie
绝缘等级	III	Material group
额定电流 (40 °C)	12 A	Rated current (40 °C)
触点电阻	≤ 3 mΩ	Contact resistance
插针材料	CuZn (黄铜/brass)	Material of contact
插针表面材料	Au (金/gold)	Contact plating
插头主体材料	PA	Material of contact body
外壳材料	铸锌镀镍, CuZn(黄铜镀镍/brass nickel plated)	Material of housing

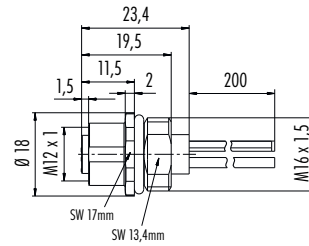
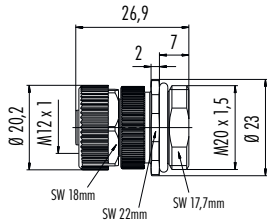
面板安装连接器，孔，带S-coding，电源，螺钉接线
Female panel mount connector with S-coding, Power, screw clamp connection

面板安装连接器，孔，带S-coding，电源，带连接线
Female panel mount connector with S-coding, Power, with single wires

图例/ Figure



尺寸图/ Drawing



订货信息/ Order Data

芯数 Contacts	安装螺纹尺寸 Fixing thread	订货号 Ordering-No.
3+PE	M20 x 1,5	99 0694 500 04

芯数 Contacts	安装螺纹尺寸 Fixing thread	订货号 Ordering-No.
3+PE	M16 x 1,5	09 0692 700 04

技术参数 / Specifications

芯数	3+PE	Number of contacts
锁紧方式	M12螺母锁紧 screw	Connector locking system
接线方式	螺钉接线, 已装配连接线(AWG 16)/ screw clamp, single wires (AWG 16)	Termination
导线截面	max. 1,5 mm ² (max. AWG 16)	Wire gauge
电缆出口直径	—	Cable outlet
防护等级	IP67	Degree of protection
插拔周期	>100插拔周期/> 100 mating cycles	Mechanical operation
最高工作温度	+ 85 °C	Upper temperature
最低工作温度	- 40 °C	Lower temperature
额定电压	630 V	Rated voltage
额定冲击电压	6000 V	Rated impulse voltage
污染等级	3	Pollution degree
过电压等级	III	Overvoltage categorie
绝缘等级	III	Material group
额定电流 (40 °C)	12 A	Rated current (40 °C)
触点电阻	≤ 3 mΩ	Contact resistance
插针材料	CuZn(黄铜/ brass) CuSn(青铜/bronze)	Material of contact
插针表面材料	Au(金/gold)	Contact plating
插头主体材料	PA	Material of contact body
外壳材料	PA, 铸锌镀镍/zinc diecasting nickel plated	Material of housing

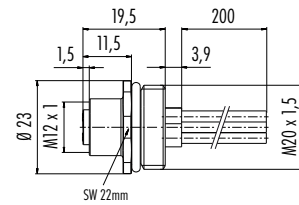
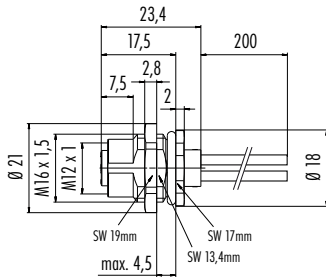
面板安装连接器，孔，带S-coding，电源，板前固定，带连接线
Female panel mount connector with S-coding, Power, front fastened, with single wires

面板安装连接器，孔，带S-coding，电源，带连接线，M20x1.5
Female panel mount connector with S-coding, Power, with single wires, M20 x 1,5

图例/ Figure



尺寸图/ Drawing



订货信息/ Order Data

芯数 Contacts	安装螺纹尺寸 Fixing thread	订货号 Ordering-No.
3+PE	M16 x 1,5	09 0692 121 04

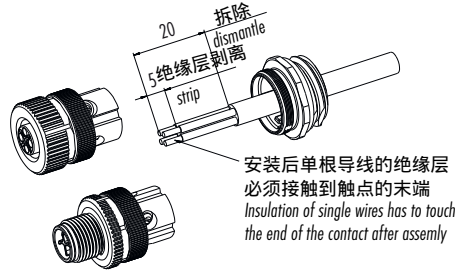
芯数 Contacts	安装螺纹尺寸 Fixing thread	订货号 Ordering-No.
3+PE	M20 x 1,5	09 0692 642 04

技术参数 / Specifications

芯数	3+PE	Number of contacts
锁紧方式	M12螺母锁紧 screw	Connector locking system
接线方式	已装配连接线(AWG 16)/single wires (AWG 16)	Termination
导线截面	max. 1,5 mm ² (max. AWG 16)	Wire gauge
电缆出口直径	—	Cable outlet
防护等级	IP67	Degree of protection
插拔周期	>100插拔周期 / > 100 mating cycles	Mechanical operation
最高工作温度	+ 85 °C	Upper temperature
最低工作温度	- 40 °C	Lower temperature
额定电压	630 V	Rated voltage
额定冲击电压	6000 V	Rated impulse voltage
污染等级	3	Pollution degree
过电压等级	III	Overvoltage categorie
绝缘等级	III	Material group
额定电流 (40 °C)	12 A	Rated current (40 °C)
触点电阻	≤ 3 mΩ	Contact resistance
插针材料	CuSn(青铜/bronze)	Material of contact
插针表面材料	Au(金/gold)	Contact plating
插头主体材料	PA	Material of contact body
外壳材料	铸锌镀镍, CuZn(黄铜镀镍/brass nickel plated)	Material of housing

安装指南
Assembly instruction

面板安装连接器裸线度量，螺钉接线，不带屏蔽
Strip measures panel mount connectors, screw clamp connection, not shieldable



针位图
Contact arrangements

插孔，针（接触面）
Male insert (mating side)

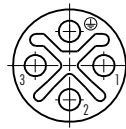
插孔，孔（接触面）
Female insert (mating side)

3+PE 芯
3+PE contacts



	X	Y
1	-2,55	0,00
2	0,00	-2,55
3	2,55	0,00
PE	0,00	2,55

1 黑 / black
2 黑 / black
3 黑 / black
PE 黄 / 绿 / yellow / green

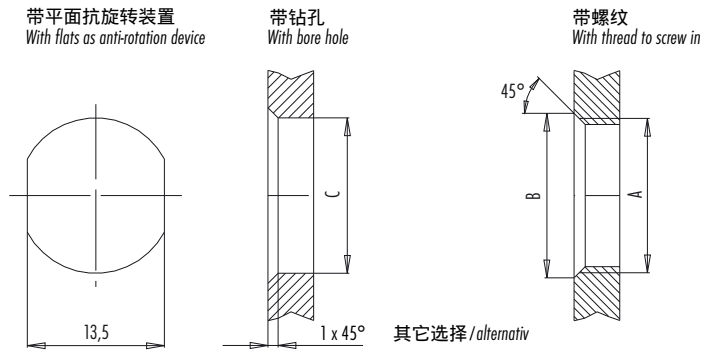


	X	Y
1	2,55	0,00
2	0,00	-2,55
3	-2,55	0,00
PE	0,00	2,55

1 黑 / black
2 黑 / black
3 黑 / black
PE 黄 / 绿 / yellow / green

安装截面
Panel cut out

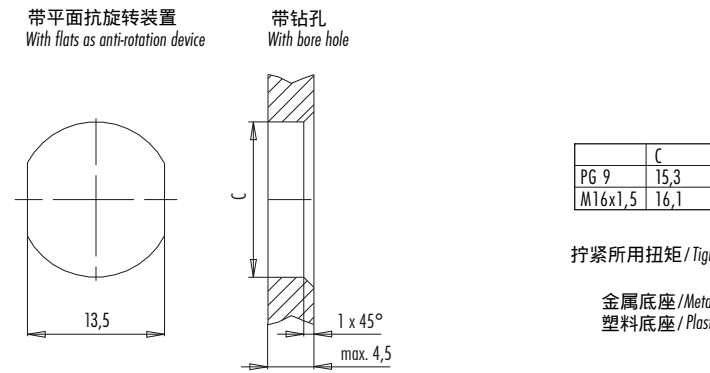
面板安装连接器
Panel mount connectors



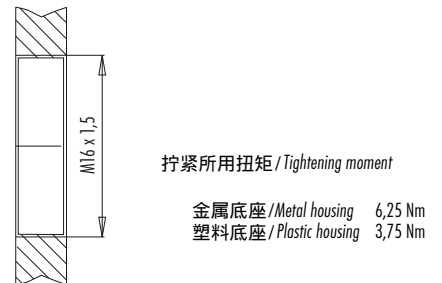
拧紧所用扭矩 / Tightening moment

金属底座 / Metal housing 6,25 Nm
塑料底座 / Plastic housing 3,75 Nm

面板安装连接器，板前固定
Panel mount connectors, front fastened



面板安装连接器，位置可调
Panel mount connectors positioning possible



面板安装连接器，螺钉接线
Panel mount connectors screw clamp connection

