

# Power



## Bajonett HEC Power Bayonet HEC Power

### Kabelsteckverbinder

- Bajonett-Verriegelung
- 8-polig (4 Signal + 3+PE Power)
- Schutzart IP68/IP69K<sup>1)</sup>
- Crimpanschluss
- Durchmesser 36 mm
- VDE-, UL-Zulassung
- Konzipiert für den Outdoor-Einsatz

### Flanschsteckverbinder

- Bajonett-Verriegelung
- 8-polig (4 Signal + 3+PE Power)
- Schutzart IP68/IP69K<sup>1)</sup>
- Crimpanschluss
- Flansch 40 x 40 mm
- VDE-, UL-Zulassung
- Konzipiert für den Outdoor-Einsatz

### Cable Connectors

- Bayonet locking system
- 8 contacts (4 Signal + 3+PE Power)
- Degree of protection IP68/IP69K<sup>1)</sup>
- Crimp termination
- Diameter 36 mm
- VDE-, UL-approval
- Designed for harsh environments

### Panel Mount Connectors

- Bayonet locking system
- 8 contacts (4 Signal + 3+PE Power)
- Degree of protection IP68/IP69K<sup>1)</sup>
- Crimp termination
- Panel mount connectors 40 x 40 mm
- VDE-, UL-approval
- Designed for harsh environments

<sup>1)</sup>Erläuterung der Schutzarten siehe technische Informationen./ <sup>1)</sup>Explanation of protection standards see technical information.

## 电缆连接器，针 Male cable connector

## 电缆连接器，孔 Female cable connector

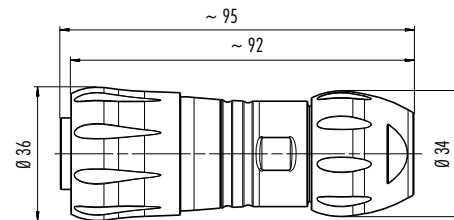
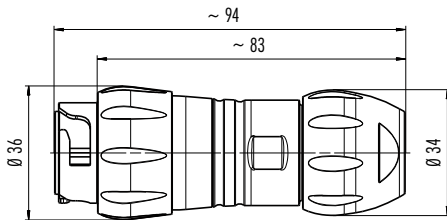
图例 / Figure



压接插针请见第331页  
Crimp contacts see page 331

压接插针请见第331页  
Crimp contacts see page 331

尺寸图 / Drawing



订货信息 / Order Data

芯数 Contacts	电缆出口直径 Cable outlet	订货号 Ordering-No.
4 + 3+PE	7-13 mm/ 12-17 mm	99 6501 000 08

芯数 Contacts	电缆出口直径 Cable outlet	订货号 Ordering-No.
4 + 3+PE	7-13 mm/ 12-17 mm	99 6502 000 08

技术参数 / Specifications

芯数	8 (4 + 3+PE)	Number of contacts
锁紧方式	卡扣锁紧 / bayonet	Connector locking system
接线方式	压接 / crimp	Termination
导线截面	压接插针请见第331页 / see crimp contacts page 331	Wire gauge
电缆出口直径	7-13 mm, 12-17 mm	Cable outlet
防护等级	IP68, IP69K	Degree of protection
插拔周期	>1000插拔周期 / > 1000 mating cycles	Mechanical operation
最高工作温度	+ 100 °C	Upper temperature
最低工作温度	- 40 °C	Lower temperature
额定电压	60 V Signal, 400 V Power	Rated voltage
额定冲击电压	5000 V	Rated impulse voltage
污染等级	3	Pollution degree
过电压等级	III	Overvoltage categorie
绝缘等级	I, II	Material group
额定电流 (40 °C)	3 A Signal, 25 A Power (20 A UL)	Rated current (40 °C)
触点电阻	≤ 8 mΩ	Contact resistance
插针材料	—	Material of contact
插针表面材料	Ag (银 / silver)	Contact plating
插头主体材料	PA	Material of contact body
外壳材料	PA	Material of housing

## 安装指南

### Assembly instruction

1. 剥离45mm的导线，去掉护套
2. 将压紧螺丝，夹紧圈，密封圈，对准远端套筒。
3. 剥去单根导线的绝缘层（7mm）
4. 将针压接到导线里
5. 将插针压到插针载体里直至卡入到位。  
然后将载体放入连接器套筒内。
6. 将锁紧件放入到带有螺纹的连接器套筒内，按照箭头标识的方向轻轻地拧紧直到固定。  
(建议扭矩 80cNm)
7. 将密封圈放入到夹紧圈，通过拧紧压紧螺丝将二者朝连接器套筒方向固定。  
(建议扭矩 220-250cNm)

#### 触点摘除：

由于插针是完全活动的，所以摘除工具可以轻微摆动插入区域。  
然后按压摘除按钮。

\* 压接工具订货号 66 0003 0 01

触点摘除工具     $\varnothing$  1,6 mm    66 0004 001  
                           $\varnothing$  2,5 mm    66 0011 001

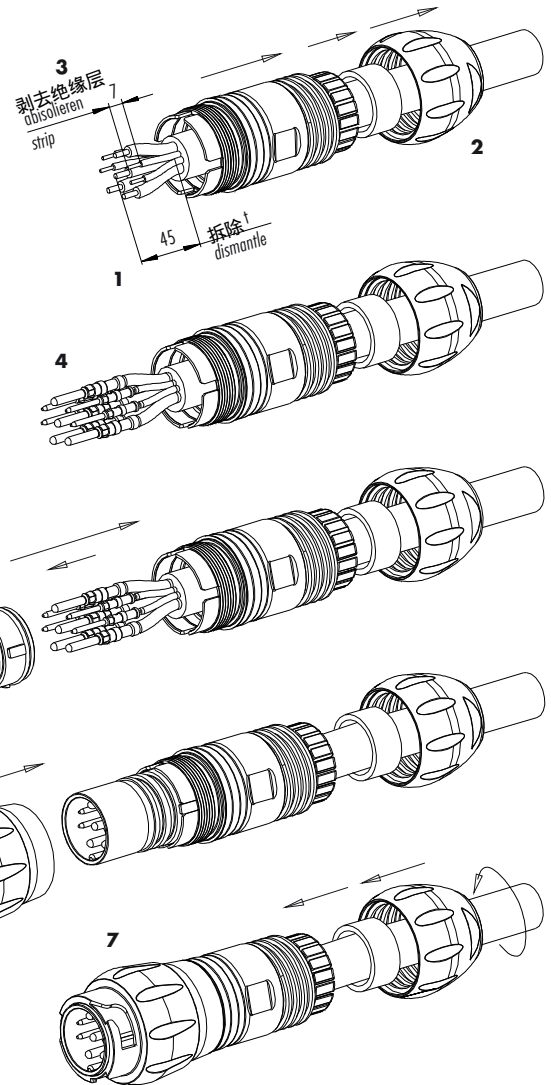
1. Strip to 45mm length and take off cable jacket.
2. Bead pressing screw, pinch ring, seal and distance sleeve to cable.
3. Strip insulation of the single wires (length 7mm).
4. Crimp contacts to single wires.\*
5. Press crimped contacts into contact carrier until they snap into place. Then push the carrier into the connector sleeve to block.
6. Put locking unit to the thread of the connector sleeve and screw it with slight pressure towards the direction marked with an arrow until it is tight. (recommended torque 80 cNm)
7. Push sealing ring into the pinch ring to block and fix both by screwing the pressing screw towards the connector sleeve. (recommended torque 220-250 cNm)

#### Extracting the contacts:

As the contacts are full floating the extraction tool can be inserted with slight pendular movements to block. Afterwards press the extraction button.

\* Crimping tool ordering number 66 0003 001

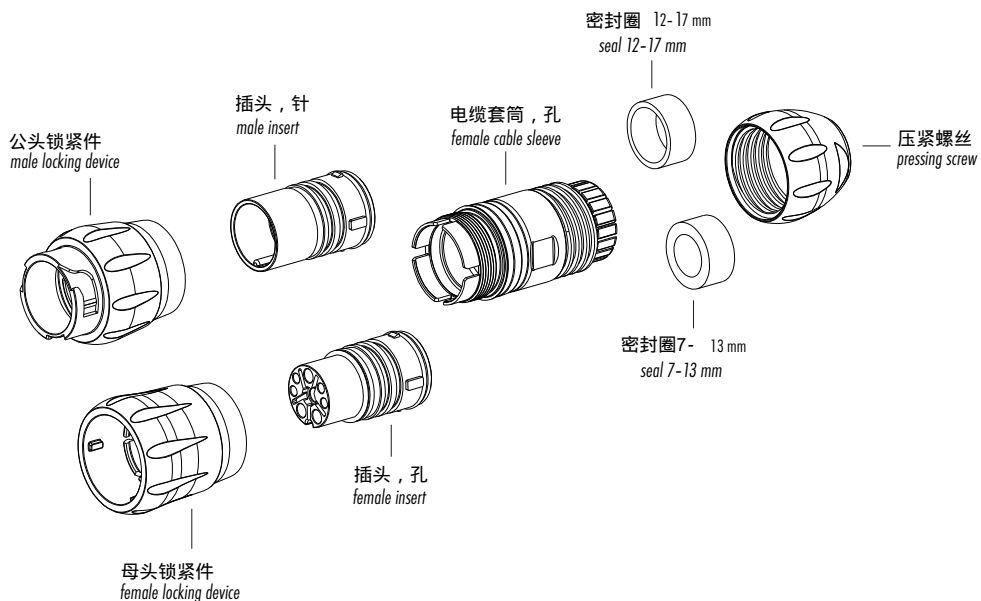
Extraction tool for contacts  $\varnothing$  1,6 mm    66 0004 001  
     $\varnothing$  2,5 mm    66 0011 001



## 部件图

### Component part drawing

#### 电缆连接器 Cable connectors



## 面板安装连接器，针 Male panel mount connector

## 面板安装连接器，孔 Female panel mount connector

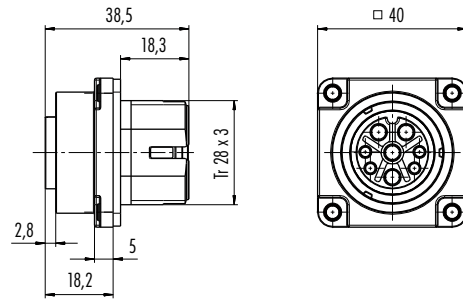
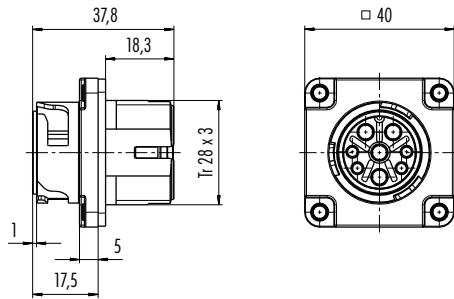
图例 / Figure



压接插针请见第331页  
Crimp contacts see page 331

压接插针请见第331页  
Crimp contacts see page 331

尺寸图 / Drawing



订货信息 / Order Data

芯数 Contacts	订货号 Ordering-No.
4 + 3+PE	09 6503 000 08

芯数 Contacts	订货号 Ordering-No.
4 + 3+PE	09 6504 000 08

技术参数 / Specifications

芯数	8 (4 + 3+PE)	Number of contacts
锁紧方式	卡扣锁紧 / bayonet	Connector locking system
接线方式	压接 / crimp	Termination
导线截面	压接插针请见第331页 / see crimp contacts page 331	Wire gauge
电缆出口直径	—	Cable outlet
防护等级	IP68, IP69K	Degree of protection
插拔周期	>1000插拔周期 / > 1000 mating cycles	Mechanical operation
最高工作温度	+ 100 °C	Upper temperature
最低工作温度	- 40 °C	Lower temperature
额定电压	60 V Signal, 400 V Power	Rated voltage
额定冲击电压	5000 V	Rated impulse voltage
污染等级	3	Pollution degree
过电压等级	III	Overvoltage categorie
绝缘等级	I, II	Material group
额定电流 (40 °C)	3 A Signal, 25 A Power (20 A UL)	Rated current (40 °C)
触点电阻	≤ 8 mΩ	Contact resistance
插针材料	—	Material of contact
插针表面材料	Ag (银 / silver)	Contact plating
插头主体材料	PA	Material of contact body
外壳材料	PA	Material of housing

安装指南  
Assembly instruction

1. 剥离7mm的导线
2. 把导线压接到插针里
3. 将压接好的针放入触点载体，直至卡入到位。
- 3.1. 单根导线密封可选：  
用指定的设备或工具穿过单根导线需要密封的部分，然后穿过插针。  
将插针按压到插针载体里，把单根导线的密封圈放入插针载体，最后用压紧螺丝固定。
4. 将导线全部放进压紧螺丝，然后用螺母固定。  
(建议扭矩 40cNm)

触点摘除：

由于插针是完全活动的，所以摘除工具可以轻微摆动插入区域。  
然后按压摘除按钮。

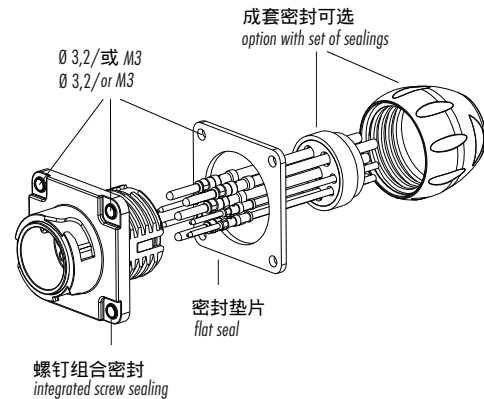
* 压接工具订货号		66 0003 0 01
触点摘除工具	Ø 1,6mm	66 0004 0 01
	Ø 2,5mm	66 0011 0 01

1. Strip single wires to 7mm.
2. Crimp contacts to wires.\*
3. Press crimped contacts into contact carrier until they snap into place.
- 3.1. Option when using the single wire seal:  
Pierce through the needed sections of the single wire sealings with a pointed device or tool and then bead them over the contacts. Then press contacts into the contact carrier, lay the single wire sealings flat onto the contact carrier and finally fix it with the pressing screw.
4. Push the pressing screw over the bundle of single wires and fix it afterwards by screwing.  
(recommended torque 40 cNm)

Extracting the contacts:

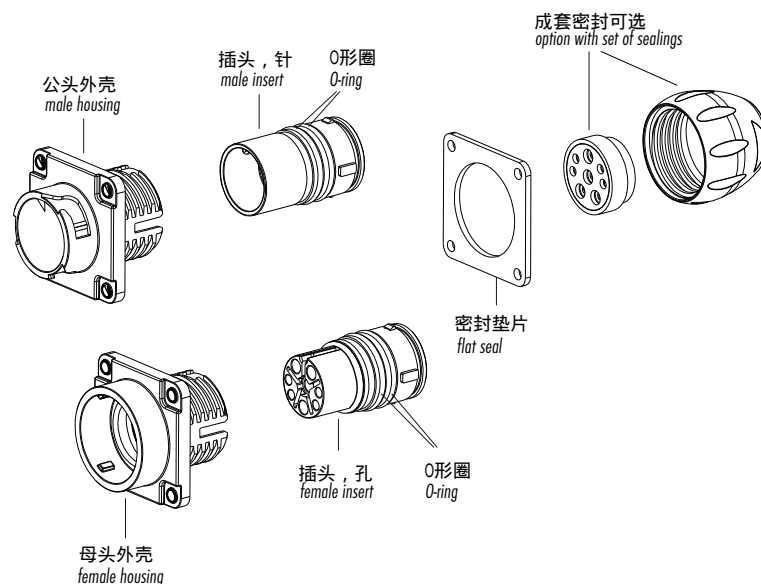
As the contacts are full floating the extraction tool can be inserted with slight pendular movements to block.  
Afterwards press the extraction button.

* Crimping tool ordering number		66 0003 0 01
Extraction tool for contacts	Ø 1,6 mm	66 0004 0 01
	Ø 2,5 mm	66 0011 0 01



部件图  
Component part drawing

面板安装连接器  
Panel mount connectors



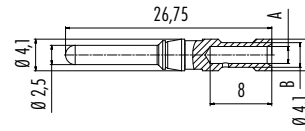
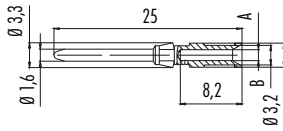
针触点，信号，100只为单位  
Male contact, signal, PU 100 pieces

针触点，电源，100只为单位  
Male contact, power, PU 100 pieces

图例 / Figure



尺寸图 / Drawing



订货信息 / Order Data

A	B	电缆规格 For wire gauge	AWG	订货号 Ordering-No.
0,9	2,6	0,14 mm <sup>2</sup> – 0,34 mm <sup>2</sup>	26–22	61 0891 139
1,1	2,6	0,5 mm <sup>2</sup>	20	61 0892 139
1,45	2,6	0,75 mm <sup>2</sup> – 1,0 mm <sup>2</sup>	18	61 0893 139
1,8	3,0	1,5 mm <sup>2</sup>	16	61 0894 139

A	B	电缆规格 For wire gauge	AWG	订货号 Ordering-No.
1,8	3,0	1,5 mm <sup>2</sup>	16	61 0903 139
2,2	3,2	2,5 mm <sup>2</sup>	14	61 0902 139

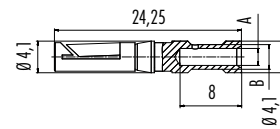
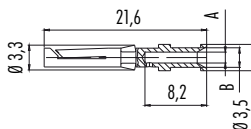
孔触点，信号，100只为单位  
Female contact, signal, PU 100 pieces

孔触点，电源，100只为单位  
Female contact, power, PU 100 pieces

图例 / Figure



尺寸图 / Drawing



订货号 / Order Data

A	B	电缆规格 For wire gauge	AWG	订货号 Ordering-No.
0,9	2,6	0,14 mm <sup>2</sup> – 0,34 mm <sup>2</sup>	26–22	61 0896 139
1,1	2,6	0,5 mm <sup>2</sup>	20	61 0897 139
1,45	2,6	0,75 mm <sup>2</sup> – 1,0 mm <sup>2</sup>	18	61 0898 139
1,8	3,0	1,5 mm <sup>2</sup>	16	61 0899 139

A	B	电缆规格 For wire gauge	AWG	订货号 Ordering-No.
1,8	3,0	1,5 mm <sup>2</sup>	16	61 0901 139
2,2	3,2	2,5 mm <sup>2</sup>	14	61 0900 139

电缆  
Cable

图例 / Figure



订货信息 / Order Data

订货号 Ordering-No.	
08 3186 000 000	


技术参数  
Specifications

标准电缆  
Standard cable

芯数	4 (Signal) + 3+PE (Power)		Number of contacts
导线截面mm <sup>2</sup> <sup>1)</sup>	4 x 1,0 mm <sup>2</sup> (AWG 18)	4 x 2,5 mm <sup>2</sup> (AWG 14)	Wire gauge mm <sup>2</sup> <sup>1)</sup>
电缆护套材料	PUR schwarz/black		Material jacket
导线绝缘层	PP		Insulation wire
导线规格 (mm)	feindrätig nach/finely stranded acc. to DIN VDE 0295 Klasse/class 5		Design of wire (mm)
电缆外壳 (mm)	12,3		Cable jacket (mm)
导线电阻	DIN VDE 0295 Klasse/class 5		Resistance of wire
工作温度范围 (电缆运动)	- 20 °C / + 85 °C		Temperature range (cable in move)
工作温度范围 (电缆静止)	- 40 °C / + 85 °C		Temperature range (cable not in move)
弯曲半径 (电缆运动)	7,5 x Kabeldurchmesser/cable diameter		Bending radius (cable in move)
弯曲半径 (电缆静止)	4 x Kabeldurchmesser/cable diameter		Bending radius (cable not in move)
认证	UL		Approval

<sup>1)</sup> 与AWG的兼容性请见技术信息 <sup>1)</sup>Comparable AWG conductors see technical information.

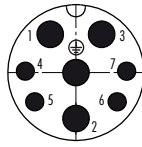


针位图  
Contact arrangements

插孔，针（接触面）  
Male insert (mating side)

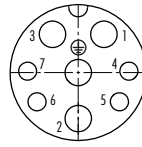
插孔，孔（接触面）  
Female insert (mating side)

8芯  
8 contacts



	X	Y
1	-3,68	5,50
2	0	-6,60
3	3,68	5,50
4	-7,25	0,20
5	-5,90	-4,20
6	5,90	-4,20
7	7,25	0,20
PE	0	0

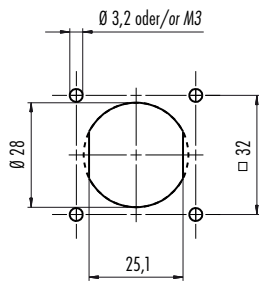
1, 2, 3, ⊕ Ø 2,5 mm  
4, 5, 6, 7 Ø 1,6 mm



	X	Y
1	3,68	5,50
2	0	-6,60
3	-3,68	5,50
4	7,25	0,20
5	5,90	-4,20
6	-5,90	-4,20
7	-7,25	0,20
PE	0	0

1, 2, 3, ⊕ Ø 2,5 mm  
4, 5, 6, 7 Ø 1,6 mm

安装截面  
Panel cut out



平面可调  
Alternative with flats

