

Miniatur



M16 Miniatur IP67

M16 Miniature IP67

Kabelsteckverbinder

- Schraubverriegelung M16
- 2 – 24-polig
- Schutzart IP67 ¹⁾
- Löt-/Crimp-/Schraubklemmanschluss
- Am Kabel angespritzte Ausführungen
- Durchmesser 18 – 24 mm
- Schirmbar
- Nach DIN EN 61076-2-106
- AISG kompatibel

Flanschsteckverbinder


- Schraubverriegelung M16
- 2 – 24-polig
- Schutzart IP67 ¹⁾
- Löt-/Tauchlöt-/Crimpanschluss
- Durchmesser 20 mm
- Schirmbar
- Nach DIN EN 61076-2-106
- AISG kompatibel

Cable Connectors

- Screw termination M16
- 2 – 24 contacts
- Degree of protection IP67 ¹⁾
- Solder/crimp/screw clamp termination
- Moulded versions
- Diameter 18 – 24 mm
- Shieldable
- Acc. to DIN EN 61076-2-106
- AISG compatible

Panel Mount Connectors

- Screw termination M16
- 2 – 24 contacts
- Degree of protection IP67 ¹⁾
- Solder/dip solder/crimp termination
- Diameter 20 mm
- Shieldable
- Acc. to DIN EN 61076-2-106
- AISG compatible


certifiziert unter Nummer 20120329-E30 2391

certificated under number 20120329-E30 2391

¹⁾ Erläuterung der Schutzarten siehe technische Informationen./ ¹⁾ Explanation of protection standards see technical information.

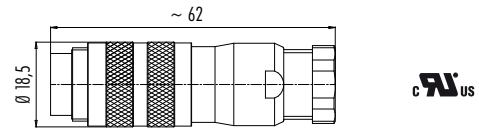
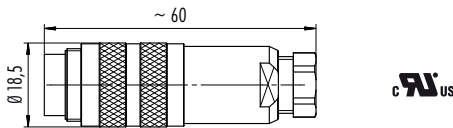
带屏蔽环的电缆连接器，针，屏蔽
Male cable connector with shielding ring, shieldable

带屏蔽环的电缆连接器，针，屏蔽
Male cable connector with shielding ring, shieldable

图例 / Figure



尺寸图 / Drawing



订货信息 / Order Data

芯数 Contacts	电缆出口直径 Cable outlet	镀银触点 Silver plated contacts	镀金触点 Gold plated contacts
2	4-6 mm	99 5101 15 02	99 5101 19 02
3 DIN	4-6 mm	99 5105 15 03	99 5105 19 03
4	4-6 mm	99 5109 15 04	99 5109 19 04
5	4-6 mm	99 5113 15 05	99 5113 19 05
5 (Stereo)	4-6 mm	99 5117 15 05	99 5117 19 05
6 DIN	4-6 mm	99 5121 15 06	99 5121 19 06
7	4-6 mm	99 5125 15 07	99 5125 19 07
7 DIN	4-6 mm	99 5181 15 07	-
8 DIN	4-6 mm	99 5171 15 08	99 5171 19 08
12	4-6 mm	-	99 5129 15 12
14	4-6 mm	-	99 5451 15 14
19	4-6 mm	-	99 5461 15 19
24	4-6 mm	-	99 5495 15 24

芯数 Contacts	电缆出口直径 Cable outlet	镀银触点 Silver plated contacts	镀金触点 Gold plated contacts
2	6-8 mm	99 5601 15 02	99 5601 19 02
3 DIN	6-8 mm	99 5605 15 03	99 5605 19 03
4	6-8 mm	99 5609 15 04	99 5609 19 04
5	6-8 mm	99 5613 15 05	99 5613 19 05
5 (Stereo)	6-8 mm	99 5617 15 05	99 5617 19 05
6 DIN	6-8 mm	99 5621 15 06	99 5621 19 06
7	6-8 mm	99 5625 15 07	99 5625 19 07
7 DIN	6-8 mm	99 5681 15 07	-
8 DIN	6-8 mm	99 5671 15 08	99 5671 19 08
12	6-8 mm	-	99 5629 15 12
14	6-8 mm	-	99 5651 15 14
16	6-8 mm	-	99 5455 15 16
19	6-8 mm	-	99 5661 15 19
24	6-8 mm	-	99 5695 15 24

技术参数 / Specifications

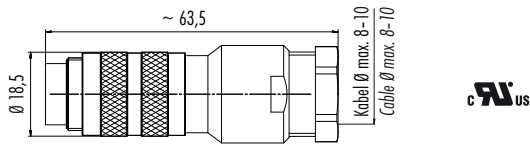
芯数	2	3 DIN	4	5	5 (Stereo)	6 DIN	7	7 DIN	8 DIN	12	14	16	19	24	Number of contacts	
锁紧方式	M16螺母锁紧 / screw														Connector locking system	
接线方式	焊接 / solder														Termination	
导线截面	max. 0,75 mm ² (max. AWG 20)										max. 0,25 mm ² (max. AWG 24)			0,14 mm ² (26)	Wire gauge	
电缆出口直径	4-6 mm (PG 7), 6-8 mm (PG 9)														Cable outlet	
防护等级	IP67														Degree of protection	
插拔周期	> 500 插拔周期 / > 500 mating cycles														Mechanical operation	
最高工作温度	+ 95 °C														Upper temperature	
最低工作温度	- 40 °C														Lower temperature	
额定电压	250 V (32 V)		60 V (32 V)		250 V (32 V)	125 V (32 V)	60 V (32 V)							Rated voltage		
额定冲击电压	1500 V		500 V		1500 V	800 V	500 V							Rated impulse voltage		
污染等级	1 (2) ¹⁾														Pollution degree	
过电压等级	I (II) ¹⁾														Overvoltage categorie	
绝缘等级	III														Material group	
额定电流 (40 °C)	7 A		6 A		5 A			3 A			1 A				Rated current (40 °C)	
触点电阻	≤ 5 mΩ														≤ 3 mΩ	Contact resistance
插针材料	CuZn (黄铜 / brass)														Material of contact	
插针表面材料	Ag (银 / silver) / Au (金 / gold)							Au (金 / gold)							Contact plating	
插头主体材料	PBT														Material of contact body	
外壳材料	CuZn (黄铜镀镍 / brass, nickel plated)														Material of housing	

带屏蔽环的电缆连接器，针，屏蔽
Male cable connector with shielding ring, shieldable

图例 / Figure



尺寸图 / Drawing



订货信息 / Order Data

芯数 Contacts	电缆出口直径 Cable outlet	镀银触点 Silver plated contacts	镀金触点 Gold plated contacts
5	8-10 mm	99 5813 15 05	-
7	8-10 mm	99 5825 15 07	-
7 DIN	8-10 mm	99 5881 15 07	-
8 DIN	8-10 mm	99 5871 15 08	-
12	8-10 mm	-	99 5829 15 12
14	8-10 mm	-	99 5851 15 14
16	8-10 mm	-	99 5805 15 16
19	8-10 mm	-	99 5861 15 19
24	8-10 mm	-	99 5895 15 24

芯数 Contacts	电缆出口直径 Cable outlet	镀银触点 Silver plated contacts	镀金触点 Gold plated contacts
5	8-10 mm	99 5813 15 05	-
7	8-10 mm	99 5825 15 07	-
7 DIN	8-10 mm	99 5881 15 07	-
8 DIN	8-10 mm	99 5871 15 08	-
12	8-10 mm	-	99 5829 15 12
14	8-10 mm	-	99 5851 15 14
16	8-10 mm	-	99 5805 15 16
19	8-10 mm	-	99 5861 15 19
24	8-10 mm	-	99 5895 15 24

技术参数 / Specifications

芯数	5	7	7 DIN	8 DIN	12	14	16	19	24	Number of contacts	
锁紧方式	M16螺母锁紧 / screw									Connector locking system	
接线方式	焊接 / solder									Termination	
导线截面	max. 0,75 mm ² (max. AWG 20)				max. 0,25 mm ² (max. AWG 24)				0,14 mm ² (AWG 26)	Wire gauge	
电缆出口直径	8-10 mm (PG 11)									Cable outlet	
防护等级	IP67									Degree of protection	
插拔周期	> 500 插拔周期 / > 500 mating cycles									Mechanical operation	
最高工作温度	+ 95 °C									Upper temperature	
最低工作温度	- 40 °C									Lower temperature	
额定电压	250 V (32 V)	125 V (32 V)	60 V (32 V)							Rated voltage	
额定冲击电压	1500 V	800 V	500 V							Rated impulse voltage	
污染等级	1 (2) ¹⁾									Pollution degree	
过电压等级	I (II) ¹⁾									Overvoltage categorie	
绝缘等级	III									Material group	
额定电流 (40 °C)	6 A	5 A			3 A			1 A		Rated current (40 °C)	
触点电阻	≤5 mΩ									≤3 mΩ	Contact resistance
插针材料	CuZn (黄铜 / brass)									Material of contact	
插针表面材料	Ag(银 / silver)/Au(金 / gold)				Au(金 / gold)					Contact plating	
插头主体材料	PBT									Material of contact body	
外壳材料	CuZn(黄铜镀镍 / brass, nickel plated)									Material of housing	

¹⁾当污染等级过电压级别均为 2 时额定电压降至32V¹⁾ In case of pollution degree 2, overvoltage category II rated voltage is reduced to 32 V.

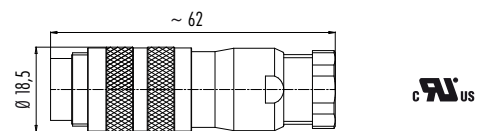
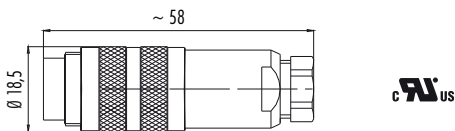
带电缆夹紧的电缆连接器，针，屏蔽
Male cable connector with cable clamp, shieldable

带电缆夹紧的电缆连接器，针，屏蔽
Male cable connector with cable clamp, shieldable

图例 / Figure



尺寸图 / Drawing



订货信息 / Order Data

芯数 Contacts	电缆出口直径 Cable outlet	镀银触点 Silver plated contacts	镀金触点 Gold plated contacts
2	4-6 mm	99 5101 00 02	99 5101 09 02
3 DIN	4-6 mm	99 5105 00 03	99 5105 09 03
4	4-6 mm	99 5109 00 04	99 5109 09 04
5	4-6 mm	99 5113 00 05	99 5113 09 05
5 (Stereo)	4-6 mm	99 5117 00 05	99 5117 09 05
6 DIN	4-6 mm	99 5121 00 06	99 5121 09 06
7	4-6 mm	99 5125 00 07	99 5125 09 07
7 DIN	4-6 mm	99 5181 00 07	-
8 DIN	4-6 mm	99 5171 00 08	99 5171 09 08
12	4-6 mm	-	99 5129 00 12
14	4-6 mm	-	99 5451 00 14
19	4-6 mm	-	99 5461 00 19
24	4-6 mm	-	99 5495 00 24

芯数 Contacts	电缆出口直径 Cable outlet	镀银触点 Silver plated contacts	镀金触点 Gold plated contacts
2	6-8 mm	99 5601 00 02	99 5601 09 02
3 DIN	6-8 mm	99 5605 00 03	99 5605 09 03
4	6-8 mm	99 5609 00 04	99 5609 09 04
5	6-8 mm	99 5613 00 05	99 5613 09 05
5 (Stereo)	6-8 mm	99 5617 00 05	99 5617 09 05
6 DIN	6-8 mm	99 5621 00 06	99 5621 09 06
7	6-8 mm	99 5625 00 07	99 5625 09 07
7 DIN	6-8 mm	99 5681 00 07	-
8 DIN	6-8 mm	99 5671 00 08	99 5671 09 08
12	6-8 mm	-	99 5629 00 12
14	6-8 mm	-	99 5651 00 14
19	6-8 mm	-	99 5661 00 19
24	6-8 mm	-	99 5695 00 24

技术参数 / Specifications

芯数	2	3 DIN	4	5	5 (Stereo)	6 DIN	7	7 DIN	8 DIN	12	14	19	24	Number of contacts
锁紧方式	M16螺母锁紧 / screw													Connector locking system
接线方式	焊接 / solder													Termination
导线截面	max. 0,75 mm ² (max. AWG 20)									max. 0,25 mm ² (max. AWG 24)		0,14 mm ² (26)		Wire gauge
电缆出口直径	4-6 mm (PG 7), 6-8 mm (PG 9)													Cable outlet
防护等级	IP67													Degree of protection
插拔周期	> 500 插拔周期 / > 500 mating cycles													Mechanical operation
最高工作温度	+ 95 °C													Upper temperature
最低工作温度	- 40 °C													Lower temperature
额定电压	250 V (32 V)			60 V (32 V)		250 V (32 V)		125 V (32 V)		60 V (32 V)				Rated voltage
额定冲击电压	1500 V			500 V		1500 V		800 V		500 V				Rated impulse voltage
污染等级	1 (2) ¹⁾													Pollution degree
过电压等级	I (II) ¹⁾													Overvoltage categorie
绝缘等级	III													Material group
额定电流 (40 °C)	7 A		6 A			5 A			3 A		1 A			Rated current (40 °C)
触点电阻	≤ 5 mΩ / ≤ 3 mΩ													Contact resistance
插针材料	CuZn(黄铜 / brass)													Material of contact
插针表面材料	Ag(银 / silver) / Au(金 / gold)									Au(金 / gold)				Contact plating
插头主体材料	PBT													Material of contact body
外壳材料	CuZn(黄铜镀镍 / brass, nickel plated)													Material of housing

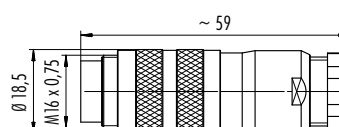
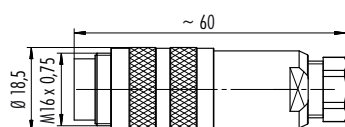
带屏蔽环的电缆连接器，螺钉接线，屏蔽
Male cable connector with cable clamp, screw clamp connection, shieldable

带屏蔽环的电缆连接器，螺钉接线，屏蔽
Male cable connector with cable clamp, screw clamp connection, shieldable

图例 / Figure



尺寸图 / Drawing



订货信息 / Order Data

芯数 Contacts	电缆出口直径 Cable outlet	镀银触点 Silver plated contacts
3	4–6 mm	99 5105 210 03
4	4–6 mm	99 5109 210 04
5	4–6 mm	99 5113 210 05

芯数 Contacts	电缆出口直径 Cable outlet	镀银触点 Silver plated contacts
3	6–8 mm	99 5605 210 03
4	6–8 mm	99 5609 210 04
5	6–8 mm	99 5613 210 05

技术参数 / Specifications

芯数	3	4	5	Number of contacts
锁紧方式	M16螺母锁紧 / screw			Connector locking system
接线方式	螺钉接线 / screw			Termination
导线截面	0,25 mm ² –1,5 mm ² (AWG 24–AWG 16)			Wire gauge
电缆出口直径	4–6 mm (PG 7), 6–8 mm (PG 9)			Cable outlet
防护等级	IP67			Degree of protection
插拔周期	> 500 插拔周期 / > 500 mating cycles			Mechanical operation
最高工作温度	+ 95 °C			Upper temperature
最低工作温度	– 40 °C			Lower temperature
额定电压	250 V (32 V)			Rated voltage
额定冲击电压	1500 V			Rated impulse voltage
污染等级	1 (2) ¹⁾			Pollution degree
过电压等级	I (II) ¹⁾			Overvoltage categorie
绝缘等级	III			Material group
额定电流 (40 °C)	7 A		6 A	Rated current (40 °C)
触点电阻	≤ 5 mΩ			Contact resistance
插针材料	CuZn (黄铜 / brass)			Material of contact
插针表面材料	Ag (银 / silver)			Contact plating
插头主体材料	PBT			Material of contact body
外壳材料	CuZn (黄铜镀镍 / brass, nickel plated)			Material of housing

¹⁾当污染等级过电压级别均为 2 时额定电压降至32V¹⁾ In case of pollution degree 2, overvoltage category II rated voltage is reduced to 32 V.

带电缆夹紧的电缆连接器，针，压接接线，屏蔽
Male cable connector with cable clamp, crimp connection, shieldable

带电缆夹紧的电缆连接器，针，压接接线，屏蔽
Male cable connector with cable clamp, crimp connection, shieldable

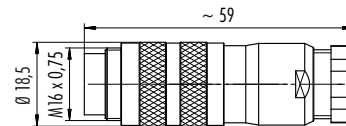
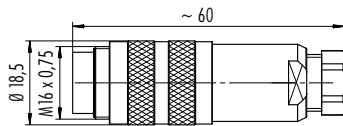
图例 / Figure



压接插针请见第254页
Crimp and ribbon contacts see page 254

压接插针请见第254页
Crimp and ribbon contacts see page 254

尺寸图 / Drawing



订货信息 / Order Data

芯数 Contacts	电缆出口直径 Cable outlet	镀银触点 Silver plated contacts
4	4-6 mm	99 5109 700 04
5	4-6 mm	99 5113 700 05
6 DIN	4-6 mm	99 5121 700 06
7	4-6 mm	99 5125 700 07
8 DIN	4-6 mm	99 5171 700 08

芯数 Contacts	电缆出口直径 Cable outlet	镀银触点 Silver plated contacts
4	6-8 mm	99 5609 700 04
5	6-8 mm	99 5613 700 05
6 DIN	6-8 mm	99 5621 700 06
7	6-8 mm	99 5625 700 07
8 DIN	6-8 mm	99 5671 700 08

技术参数 / Specifications

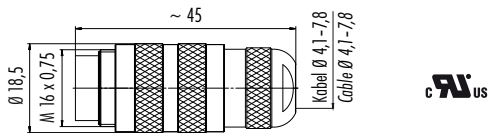
芯数	4	5	6 DIN	7	8 DIN	Number of contacts
锁紧方式	M16螺母锁紧 / screw					Connector locking system
接线方式	压接 / crimp					Termination
导线截面	4-6 pol. 0,14 mm ² -1,0 mm ² (AWG 26-AWG 18), 7+8 pol. 0,14 mm ² -0,75 mm ² (AWG 26-AWG 20)					Wire gauge
电缆出口直径	4-6 mm (PG 7), 6-8 mm (PG 9)					Cable outlet
防护等级	IP67					Degree of protection
插拔周期	> 500插拔周期 / > 500 mating cycles					Mechanical operation
最高工作温度	+ 95 °C					Upper temperature
最低工作温度	- 40 °C					Lower temperature
额定电压	250 V (32 V)			125 V (32 V)	60 V (32 V)	Rated voltage
额定冲击电压	1500 V			800 V	500 V	Rated impulse voltage
污染等级	1 (2) ¹⁾					Pollution degree
过电压等级	I (II) ¹⁾					Overvoltage categorie
绝缘等级	III					Material group
额定电流 (40 °C)	6 A			5 A		Rated current (40 °C)
触点电阻	≤ 5 mΩ					Contact resistance
插针材料	—					Material of contact
插针表面材料	Ag (银 / silver)					Contact plating
插头主体材料	PBT					Material of contact body
外壳材料	CuZn (黄铜镀镍 / brass, nickel plated)					Material of housing

电缆连接器，针，短头系列
Male cable connector, short version

图例 / Figure



尺寸图 / Drawing



订货信息 / Order Data

芯数 Contacts	电缆出口直径 Cable outlet	镀金触点 Gold plated contacts
2	4-8 mm	99 5101 40 02
3 DIN	4-8 mm	99 5105 40 03
4	4-8 mm	99 5109 40 04
5	4-8 mm	99 5113 40 05
6 DIN	4-8 mm	99 5121 40 06
7	4-8 mm	99 5125 40 07
8 DIN	4-8 mm	99 5171 40 08
12	4-8 mm	99 5129 40 12
19	4-8 mm	99 5461 40 19

技术参数 / Specifications

芯数	2	3 DIN	4	5	6 DIN	7	8 DIN	12	19	Number of contacts
锁紧方式	M16螺母锁紧 / screw									Connector locking system
接线方式	焊接 / solder									Termination
导线截面	max. 0,75 mm ² (max. AWG 20)							max. 0,25 mm ² (max. AWG 24)		Wire gauge
电缆出口直径	4-8 mm									Cable outlet
防护等级	IP67									Degree of protection
插拔周期	>500 插拔周期 / > 500 mating cycles									Mechanical operation
最高工作温度	+ 95 °C									Upper temperature
最低工作温度	- 40 °C									Lower temperature
额定电压	250 V (32 V)				125 V (32 V)		60 V (32 V)			Rated voltage
额定冲击电压	1500 V				800 V		500 V			Rated impulse voltage
污染等级	1 (2) ¹⁾									Pollution degree
过电压等级	I (II) ¹⁾									Overvoltage categorie
绝缘等级	III									Material group
额定电流 (40 °C)	7 A		6 A		5 A		3 A		1 A	Rated current (40 °C)
触点电阻	≤ 3 mΩ									Contact resistance
插针材料	CuZn(黄铜 / brass)									Material of contact
插针表面材料	Au(金 / gold)									Contact plating
插头主体材料	PBT									Material of contact body
外壳材料	CuZn(黄铜镀镍 / brass, nickel plated)									Material of housing

¹⁾当污染等级过电压级别均为 2 时额定电压降至32V¹⁾ In case of pollution degree 2, overvoltage category II rated voltage is reduced to 32 V.

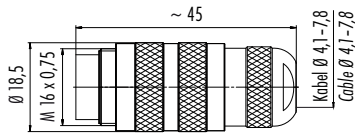
电缆连接器，针，短头系列，压接接线
Male cable connector, short version, crimp connection

图例 / Figure



压接插针请见第254页
Crimp and ribbon contacts see page 254

尺寸图 / Drawing



订货信息 / Order Data

芯数 Contacts	电缆出口直径 Cable outlet	镀银触点 Silver plated contacts
4	4-8 mm	99 5109 740 04
5	4-8 mm	99 5113 740 05
6 DIN	4-8 mm	99 5121 740 06
7	4-8 mm	99 5125 740 07
8 DIN	4-8 mm	99 5171 740 08

--

技术参数 / Specifications

芯数	4	5	6 DIN	7	8 DIN	Number of contacts
锁紧方式	M16 螺母锁紧 / screw					Connector locking system
接线方式	压接 / crimp					Termination
导线截面	4-6 pol. 0,14 mm ² -1,0 mm ² (AWG 26-AWG 18), 7+8 pol. 0,14 mm ² -0,75 mm ² (AWG 26-AWG 20)					Wire gauge
电缆出口直径	4-8 mm					Cable outlet
防护等级	IP67					Degree of protection
插拔周期	>500 插拔周期 / > 500 mating cycles					Mechanical operation
最高工作温度	+ 95 °C					Upper temperature
最低工作温度	- 40 °C					Lower temperature
额定电压	250 V (32 V)		125 V (32 V)		60 V (32 V)	Rated voltage
额定冲击电压	1500 V		800 V		500 V	Rated impulse voltage
污染等级	1 (2) ¹⁾					Pollution degree
过电压等级	I (II) ¹⁾					Overvoltage categorie
绝缘等级	III					Material group
额定电流 (40 °C)	6 A		5 A			Rated current (40 °C)
触点电阻	≤ 5 mΩ					Contact resistance
插针材料	—					Material of contact
插针表面材料	Ag(银 / silver)					Contact plating
插头主体材料	PBT					Material of contact body
外壳材料	CuZn(黄铜镀镍 / brass, nickel plated)					Material of housing

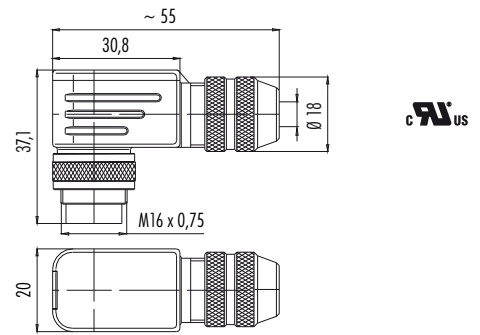
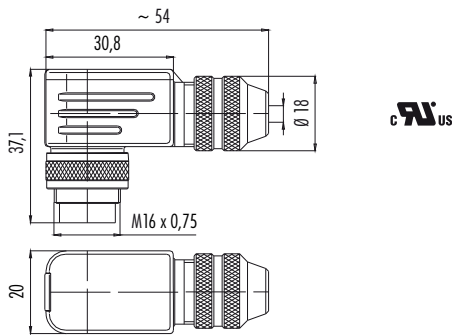
弯角连接器, 针, 屏蔽
Male angled connector, shieldable

弯角连接器, 针, 屏蔽
Male angled connector, shieldable

图例 / Figure



尺寸图 / Drawing



订货信息 / Order Data

芯数 Contacts	电缆出口直径 Cable outlet	镀银触点 Silver plated contacts	镀金触点 Gold plated contacts
2	4-6 mm	99 5101 75 02	- ¹⁾
3 DIN	4-6 mm	99 5105 75 03	- ¹⁾
4	4-6 mm	99 5109 75 04	- ¹⁾
5	4-6 mm	99 5113 75 05	99 5113 79 05
5 (Stereo)	4-6 mm	99 5117 75 05	- ¹⁾
6 DIN	4-6 mm	99 5121 75 06	99 5121 79 06
7	4-6 mm	99 5125 75 07	99 5125 79 07
7 DIN	4-6 mm	-	- ¹⁾
8 DIN	4-6 mm	99 5171 75 08	99 5171 79 08
12	4-6 mm	-	99 5129 75 12
14	4-6 mm	-	99 5451 75 14
19	4-6 mm	-	99 5461 75 19
24	4-6 mm	-	99 5495 75 24

芯数 Contacts	电缆出口直径 Cable outlet	镀银触点 Silver plated contacts	镀金触点 Gold plated contacts
2	6-8 mm	99 5601 75 02	- ¹⁾
3 DIN	6-8 mm	99 5605 75 03	- ¹⁾
4	6-8 mm	99 5609 75 04	- ¹⁾
5	6-8 mm	99 5613 75 05	- ¹⁾
5 (Stereo)	6-8 mm	99 5617 75 05	- ¹⁾
6 DIN	6-8 mm	99 5621 75 06	99 5621 79 06
7	6-8 mm	99 5625 75 07	99 5625 79 07
7 DIN	6-8 mm	99 5681 75 07	- ¹⁾
8 DIN	6-8 mm	99 5671 75 08	99 5671 79 08
12	6-8 mm	-	99 5629 75 12
14	6-8 mm	-	99 5651 75 14
16	6-8 mm	-	99 5455 75 16
19	6-8 mm	-	99 5661 75 19
24	6-8 mm	-	99 5695 75 24

技术参数 / Specifications

芯数	2	3 DIN	4	5	5 (Stereo)	6 DIN	7	7 DIN	8 DIN	12	14	16	19	24	Number of contacts
锁紧方式	M16螺母锁紧 / screw														Connector locking system
接线方式	焊接 / solder														Termination
导线截面	max. 0,75 mm ² (max. AWG 20)										max. 0,25 mm ² (max. AWG 24)		0,14 mm ² (26)		Wire gauge
电缆出口直径	4-6 mm (PG 7), 6-8 mm (PG 9)														Cable outlet
防护等级	IP67														Degree of protection
插拔周期	>500插拔周期 / > 500 mating cycles														Mechanical operation
最高工作温度	+ 95 °C														Upper temperature
最低工作温度	- 40 °C														Lower temperature
额定电压	250 V (32 V)			60 V (32 V)		250 V (32 V)		125 V (32 V)		60 V (32 V)					Rated voltage
额定冲击电压	1500 V			500 V		1500 V		800 V		500 V					Rated impulse voltage
污染等级	1 (2) ²⁾														Pollution degree
过电压等级	I (II) ²⁾														Overvoltage categorie
绝缘等级	III														Material group
额定电流 (40 °C)	7 A		6 A			5 A			3 A					1 A	Rated current (40 °C)
触点电阻	≤ 5 mΩ / ≤ 3 mΩ														Contact resistance
插针材料	CuZn(黄铜 / brass)														Material of contact
插针表面材料	Ag (银 / silver) / Au(金 / gold)										Au(金 / gold)				Contact plating
插头主体材料	PBT														Material of contact body
外壳材料	CuZn(黄铜镀镍 / brass, nickel plated)														Material of housing

¹⁾ 根据需求 ¹⁾ Upon request.

²⁾ 当污染等级过电压级别均为 时额定电压降至32V ²⁾ In case of pollution degree 2, overvoltage category II rated voltage is reduced to 32 V.

弯角连接器, 针, 压接接线, 屏蔽
Male angled connector, crimp connection, shieldable

弯角连接器, 针, 压接接线, 屏蔽
Male angled connector, crimp connection, shieldable

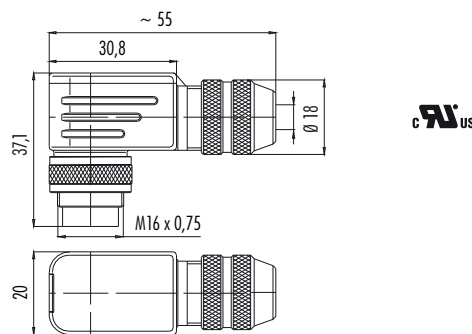
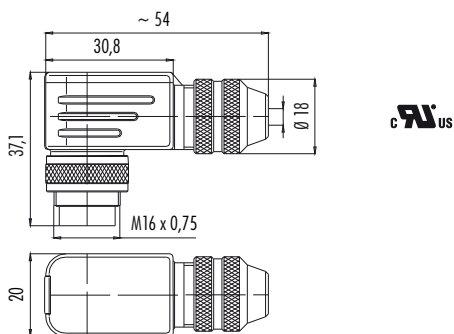
图例 / Figure



压接插针请见第254页
Crimp and ribbon contacts see page 254

压接插针请见第254页
Crimp and ribbon contacts see page 254

尺寸图 / Drawing



订货信息 / Order Data

芯数 Contacts	电缆出口直径 Cable outlet	镀银触点 Silver plated contacts
4	4-6 mm	99 5109 750 04
5	4-6 mm	99 5113 750 05
6 DIN	4-6 mm	99 5121 750 06
7	4-6 mm	99 5125 750 07
8 DIN	4-6 mm	99 5171 750 08

芯数 Contacts	电缆出口直径 Cable outlet	镀银触点 Silver plated contacts
4	6-8 mm	99 5609 750 04
5	6-8 mm	99 5613 750 05
6 DIN	6-8 mm	99 5621 750 06
7	6-8 mm	99 5625 750 07
8 DIN	6-8 mm	99 5671 750 08

技术参数 / Specifications

芯数	4	5	6 DIN	7	8 DIN	Number of contacts
锁紧方式	M16 螺母锁紧 / screw					Connector locking system
接线方式	压接 / crimp					Termination
导线截面	4-6 pol. 0,14 mm ² - 1,0 mm ² (AWG 26-AWG 18), 7+8 pol. 0,14 mm ² - 0,75 mm ² (AWG 26-AWG 20)					Wire gauge
电缆出口直径	4-6 mm (PG 7), 6-8 mm (PG 9)					Cable outlet
防护等级	IP67					Degree of protection
插拔周期	>500插拔周期 / > 500 mating cycles					Mechanical operation
最高工作温度	+ 95 °C					Upper temperature
最低工作温度	- 40 °C					Lower temperature
额定电压	250 V (32 V)			125 V (32 V)	60 V (32 V)	Rated voltage
额定冲击电压	1500 V			800 V	500 V	Rated impulse voltage
污染等级	1 (2) ¹⁾					Pollution degree
过电压等级	I (II) ¹⁾					Overvoltage categorie
绝缘等级	III					Material group
额定电流 (40 °C)	6 A			5 A		Rated current (40 °C)
触点电阻	≤ 5 mΩ					Contact resistance
插针材料	—					Material of contact
插针表面材料	Ag (银 / silver)					Contact plating
插头主体材料	PBT					Material of contact body
外壳材料	CuZn (黄铜镀镍 / brass, nickel plated)					Material of housing

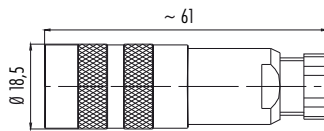
带屏蔽环的电缆连接器，孔，屏蔽
Female cable connector with shielding ring, shieldable

带屏蔽环的电缆连接器，孔，屏蔽
Female cable connector with shielding ring, shieldable

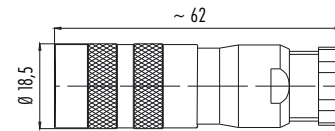
图例 / Figure



尺寸图 / Drawing



US



US

订货信息 / Order Data

芯数 Contacts	电缆出口直径 Cable outlet	镀银触点 Silver plated contacts	镀金触点 Gold plated contacts
2	4-6 mm	99 5102 15 02	99 5102 19 02
3 DIN	4-6 mm	99 5106 15 03	99 5106 19 03
4	4-6 mm	99 5110 15 04	99 5010 19 04
5	4-6 mm	99 5114 15 05	99 5114 19 05
5 (Stereo)	4-6 mm	99 5118 15 05	99 5118 19 05
6 DIN	4-6 mm	99 5122 15 06	99 5122 19 06
7	4-6 mm	99 5126 15 07	99 5126 19 07
7 DIN	4-6 mm	99 5182 15 07	-
8 DIN	4-6 mm	99 5172 15 08	99 5172 19 08
12	4-6 mm	-	99 5130 15 12
14	4-6 mm	-	99 5452 15 14
19	4-6 mm	-	99 5462 15 19
24	4-6 mm	-	99 5496 15 24

芯数 Contacts	电缆出口直径 Cable outlet	镀银触点 Silver plated contacts	镀金触点 Gold plated contacts
2	6-8 mm	99 5602 15 02	99 5602 19 02
3 DIN	6-8 mm	99 5606 15 03	99 5606 19 03
4	6-8 mm	99 5610 15 04	99 5610 19 04
5	6-8 mm	99 5614 15 05	99 5614 19 05
5 (Stereo)	6-8 mm	99 5618 15 05	99 5618 19 05
6 DIN	6-8 mm	99 5622 15 06	99 5622 19 06
7	6-8 mm	99 5626 15 07	99 5626 19 07
7 DIN	6-8 mm	99 5682 15 07	-
8 DIN	6-8 mm	99 5672 15 08	99 5672 19 08
12	6-8 mm	-	99 5630 15 12
14	6-8 mm	-	99 5652 15 14
16	6-8 mm	-	99 5456 15 16
19	6-8 mm	-	99 5662 15 19
24	6-8 mm	-	99 5696 15 24

订货信息 / Specifications

芯数	2	3 DIN	4	5	5 (Stereo)	6 DIN	7	7 DIN	8 DIN	12	14	16	19	24	Number of contacts
锁紧方式	M16螺母锁紧 / screw														Connector locking system
接线方式	焊接 / solder														Termination
导线截面	max. 0,75 mm ² (max. AWG 20)										max. 0,25 mm ² (max. AWG 24)		0,14 mm ² (26)		Wire gauge
电缆出口直径	4-6 mm (PG 7), 6-8 mm (PG 9)														Cable outlet
防护等级	IP67														Degree of protection
插拔周期	> 500 插拔周期 / > 500 mating cycles														Mechanical operation
最高工作温度	+ 95 °C														Upper temperature
最低工作温度	- 40 °C														Lower temperature
额定电压	250 V (32 V)			60 V (32 V)		250 V (32 V)		125 V (32 V)		60 V (32 V)					Rated voltage
额定冲击电压	1500 V			500 V		1500 V		800 V		500 V					Rated impulse voltage
污染等级	1 (2) ¹⁾														Pollution degree
过电压等级	I (II) ¹⁾														Overvoltage categorie
绝缘等级	III														Material group
额定电流 (40 °C)	7 A			6 A		5 A		3 A					1 A		Rated current (40 °C)
触点电阻	≤ 5 mΩ / ≤ 3 mΩ														Contact resistance
插针材料	CuSn(青铜 / bronze)														Material of contact
插针表面材料	Ag(银 / silver)/Au(金 / gold)										Au(金 / gold)				Contact plating
插头主体材料	PBT														Material of contact body
外壳材料	CuZn(黄铜镀镍 / brass, nickel plated)														Material of housing

¹⁾当污染等级过电压级别均为 2 时额定电压降至32V¹⁾ In case of pollution degree 2, overvoltage category II rated voltage is reduced to 32 V.

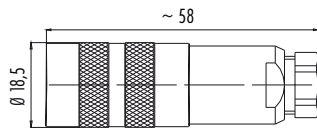
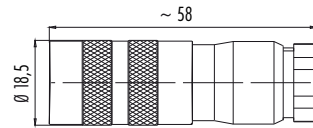
带电缆夹紧的电缆连接器，孔，屏蔽
Female cable connector with cable clamp, shieldable

带电缆夹紧的电缆连接器，孔，屏蔽
Female cable connector with cable clamp, shieldable

图例 / Figure



尺寸图 / Drawing

订货信息 / Order Data

芯数 Contacts	电缆出口直径 Cable outlet	镀银触点 Silver plated contacts	镀金触点 Gold plated contacts
2	4-6 mm	99 5102 00 02	99 5102 09 02
3 DIN	4-6 mm	99 5106 00 03	99 5106 09 03
4	4-6 mm	99 5110 00 04	99 5110 09 04
5	4-6 mm	99 5114 00 05	99 5114 09 05
5 (Stereo)	4-6 mm	99 5118 00 05	99 5118 09 05
6 DIN	4-6 mm	99 5122 00 06	99 5122 09 06
7	4-6 mm	99 5126 00 07	99 5126 09 07
7 DIN	4-6 mm	99 5182 00 07	-
8 DIN	4-6 mm	99 5172 00 08	99 5172 09 08
12	4-6 mm	-	99 5130 00 12
14	4-6 mm	-	99 5452 00 14
19	4-6 mm	-	99 5462 00 19
24	4-6 mm	-	99 5496 00 24

芯数 Contacts	电缆出口直径 Cable outlet	镀银触点 Silver plated contacts	镀金触点 Gold plated contacts
2	6-8 mm	99 5602 00 02	99 5602 09 02
3 DIN	6-8 mm	99 5606 00 03	99 5606 09 03
4	6-8 mm	99 5610 00 04	99 5610 09 04
5	6-8 mm	99 5614 00 05	99 5614 09 05
5 (Stereo)	6-8 mm	99 5618 00 05	99 5618 09 05
6 DIN	6-8 mm	99 5622 00 06	99 5622 09 06
7	6-8 mm	99 5626 00 07	99 5626 09 07
7 DIN	6-8 mm	99 5682 00 07	-
8 DIN	6-8 mm	99 5672 00 08	99 5672 09 08
12	6-8 mm	-	99 5630 00 12
14	6-8 mm	-	99 5652 00 14
19	6-8 mm	-	99 5662 00 19
24	6-8 mm	-	99 5696 00 24

技术参数 / Specifications

芯数	2	3 DIN	4	5	5 (Stereo)	6 DIN	7	7 DIN	8 DIN	12	14	19	24	Number of contacts	
锁紧方式	M16螺母锁紧 / screw													Connector locking system	
接线方式	焊接 / solder													Termination	
导线截面	max. 0,75 mm ² (max. AWG 20)										max. 0,25 mm ² (max. AWG 24)		0,14 mm ² (26)	Wire gauge	
电缆出口直径	4-6 mm (PG 7), 6-8 mm (PG 9)													Cable outlet	
防护等级	IP67													Degree of protection	
插拔周期	>500插拔周期 / > 500 mating cycles													Mechanical operation	
最高工作温度	+ 95 °C													Upper temperature	
最低工作温度	- 40 °C													Lower temperature	
额定电压	250 V (32 V)			60 V (32 V)		250 V (32 V)		125 V (32 V)		60V (32 V)				Rated voltage	
额定冲击电压	1500 V			500 V		1500 V		800 V		500 V				Rated impulse voltage	
污染等级	1 (2) ¹⁾													Pollution degree	
过电压等级	I (II) ¹⁾													Overvoltage categorie	
绝缘等级	III													Material group	
额定电流 (40 °C)	7 A		6 A				5 A				3 A		1 A	Rated current (40 °C)	
触点电阻	≤ 5 mΩ / ≤ 3 mΩ										≤ 3 mΩ				Contact resistance
插针材料	CuSn(青铜/bronze)													Material of contact	
插针表面材料	Ag(银/silver)/Au(金/gold)										Au(金/gold)				Contact plating
插头主体材料	PBT													Material of contact body	
外壳材料	CuZn(黄铜镀镍/brass, nickel plated)													Material of housing	

¹⁾当污染等级过电压级别均为 2 时额定电压降至32V ¹⁾In case of pollution degree 2, overvoltage category II rated voltage is reduced to 32 V.

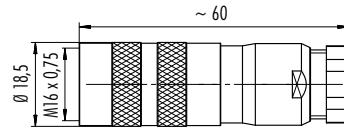
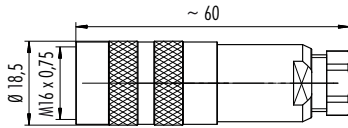
带电缆夹紧的电缆连接器，孔，螺钉接线，屏蔽
Female cable connector with cable clamp, screw clamp connection, shieldable

带电缆夹紧的电缆连接器，孔，螺钉接线，屏蔽
Female cable connector with cable clamp, screw clamp connection, shieldable

图例 / Figure



尺寸图 / Drawing



订货信息 / Order Data

芯数 Contacts	电缆出口直径 Cable outlet	镀银触点 Silver plated contacts
3	4-6 mm	99 5106 210 03
4	4-6 mm	99 5110 210 04
5	4-6 mm	99 5114 210 05

芯数 Contacts	电缆出口直径 Cable outlet	镀银触点 Silver plated contacts
3	6-8 mm	99 5606 210 03
4	6-8 mm	99 5610 210 04
5	6-8 mm	99 5614 210 05

技术参数 / Specifications

芯数	3	4	5	Number of contacts
锁紧方式	M16 螺母锁紧 / screw			Connector locking system
接线方式	螺钉接线 / screw			Termination
导线截面	0,25 mm ² - 1,5 mm ² (AWG 24 - AWG 16)			Wire gauge
电缆出口直径	4-6 mm (PG 7), 6-8 mm (PG 9)			Cable outlet
防护等级	IP67			Degree of protection
插拔周期	> 500 插拔周期 / > 500 mating cycles			Mechanical operation
最高工作温度	+ 95 °C			Upper temperature
最低工作温度	- 40 °C			Lower temperature
额定电压	250 V (32 V)			Rated voltage
额定冲击电压	1500 V			Rated impulse voltage
污染等级	1 (2) ¹⁾			Pollution degree
过电压等级	I (II) ¹⁾			Overvoltage categorie
绝缘等级	III			Material group
额定电流 (40 °C)	7 A		6 A	Rated current (40 °C)
触点电阻	≤ 5 mΩ			Contact resistance
插针材料	CuSn(青铜 / bronze)			Material of contact
插针表面材料	Ag(银 / silver)			Contact plating
插头主体材料	PBT			Material of contact body
外壳材料	CuZn(黄铜镀镍 / brass, nickel plated)			Material of housing

带电缆夹紧的电缆连接器，孔，压接接线，屏蔽
Female cable connector with cable clamp, crimp connection, shieldable

带电缆夹紧的电缆连接器，孔，压接接线，屏蔽
Female cable connector with cable clamp, crimp connection, shieldable

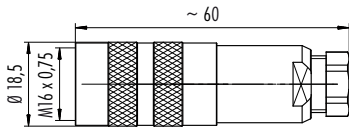
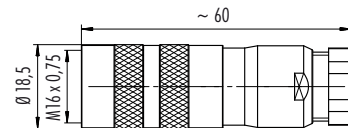
图例 / Figure



压接插针请见第254页
Crimp and ribbon contacts see page 254

压接插针请见第254页
Crimp and ribbon contacts see page 254

尺寸图 / Drawing

订货信息 / Order Data

芯数 Contacts	电缆出口直径 Cable outlet	镀银触点 Silver plated contacts
4	4-6 mm	99 5110 700 04
5	4-6 mm	99 5114 700 05
6 DIN	4-6 mm	99 5122 700 06
7	4-6 mm	99 5126 700 07
8 DIN	4-6 mm	99 5172 700 08

芯数 Contacts	电缆出口直径 Cable outlet	镀银触点 Silver plated contacts
4	6-8 mm	99 5610 700 04
5	6-8 mm	99 5614 700 05
6 DIN	6-8 mm	99 5622 700 06
7	6-8 mm	99 5626 700 07
8 DIN	6-8 mm	99 5672 700 08

技术参数 / Specifications

芯数	4	5	6 DIN	7	8 DIN	Number of contacts
锁紧方式	M16 螺母锁紧 / screw					Connector locking system
接线方式	压接 / crimp					Termination
导线截面	4-6 pol. 0,14 mm ² -1,0 mm ² (AWG 26-AWG 18), 7+8 pol. 0,14 mm ² -0,75 mm ² (AWG 26-AWG 20)					Wire gauge
电缆出口直径	4-6 mm (PG 7), 6-8 mm (PG 9)					Cable outlet
防护等级	IP67					Degree of protection
插拔周期	> 500 插拔周期 / > 500 mating cycles					Mechanical operation
最高工作温度	+ 95 °C					Upper temperature
最低工作温度	- 40 °C					Lower temperature
额定电压	250 V (32 V)		125 V (32 V)		60 V (32 V)	Rated voltage
额定冲击电压	1500 V		800 V		500 V	Rated impulse voltage
污染等级	1 (2) ¹⁾					Pollution degree
过电压等级	I (II) ¹⁾					Overvoltage categorie
绝缘等级	III					Material group
额定电流 (40 °C)	6 A		5 A			Rated current (40 °C)
触点电阻	≤ 5 mΩ					Contact resistance
插针材料	—					Material of contact
插针表面材料	Ag (银 / silver)					Contact plating
插头主体材料	PBT					Material of contact body
外壳材料	CuZn (黄铜镀锡 / brass, nickel plated)					Material of housing

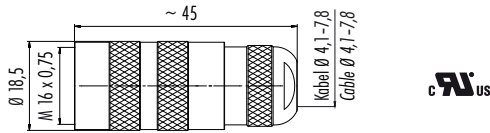
¹⁾当污染等级过电压级别均为 2 时额定电压降至32V¹⁾ In case of pollution degree 2, overvoltage category II rated voltage is reduced to 32 V.

电缆连接器，孔，短头系列
Female cable connector, short version

图例 / Figure



尺寸图 / Drawing



订货信息 / Order Data

芯数 Contacts	电缆出口直径 Cable outlet	镀金触点 Gold plated contacts
2	4-8 mm	99 5102 40 02
3 DIN	4-8 mm	99 5106 40 03
4	4-8 mm	99 5110 40 04
5	4-8 mm	99 5114 40 05
6 DIN	4-8 mm	99 5122 40 06
7	4-8 mm	99 5126 40 07
8 DIN	4-8 mm	99 5172 40 08
12	4-8 mm	99 5130 40 12
14	4-8 mm	99 5152 40 14
19	4-8 mm	99 5462 40 19

--

技术参数 / Specifications

芯数	2	3 DIN	4	5	6 DIN	7	8 DIN	12	14	19	Number of contacts
锁紧方式	M16 螺母锁紧 / screw										Connector locking system
接线方式	焊接 / solder										Termination
导线截面	max. 0,75 mm ² (max. AWG 20)					max. 0,25 mm ² (max. AWG 24)					Wire gauge
电缆出口直径	4-8 mm										Cable outlet
防护等级	IP67										Degree of protection
插拔周期	>500插拔周期 / > 500 mating cycles										Mechanical operation
最高工作温度	+ 95 °C										Upper temperature
最低工作温度	- 40 °C										Lower temperature
额定电压	250 V (32 V)				125 V (32 V)		60 V (32 V)				Rated voltage
额定冲击电压	1500 V				800 V		500 V				Rated impulse voltage
污染等级	1 (2) ¹⁾										Pollution degree
过电压等级	I (II) ¹⁾										Overvoltage categorie
绝缘等级	III										Material group
额定电流 (40 °C)	7 A		6 A		5 A			3 A		1 A	Rated current (40 °C)
触点电阻	≤ 3 mΩ										Contact resistance
插针材料	CuSn (青铜 / bronze)										Material of contact
插针表面材料	Au (金 / gold)										Contact plating
插头主体材料	PBT										Material of contact body
外壳材料	CuZn (黄铜镀镍 / brass, nickel plated)										Material of housing

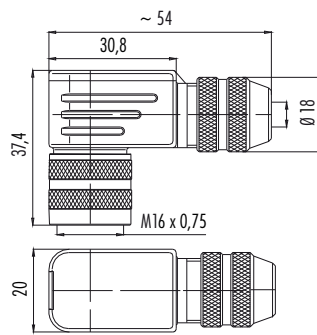
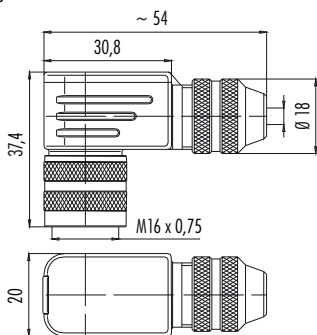
弯角连接器，孔，屏蔽
Female angled connector, shieldable

弯角连接器，孔，屏蔽
Female angled connector, shieldable

图例 / Figure



尺寸图 / Drawing



订货信息 / Order Data

芯数 Contacts	电缆出口直径 Cable outlet	镀银触点 Silver plated contacts	镀金触点 Gold plated contacts
2	4-6 mm	99 5102 75 02	- ¹⁾
3 DIN	4-6 mm	99 5106 75 03	- ¹⁾
4	4-6 mm	99 5110 75 04	- ¹⁾
5	4-6 mm	99 5114 75 05	- ¹⁾
5 (Stereo)	4-6 mm	99 5118 75 05	- ¹⁾
6 DIN	4-6 mm	99 5122 75 06	99 5122 79 06
7	4-6 mm	99 5126 75 07	- ¹⁾
7 DIN	4-6 mm	99 5182 75 07	- ¹⁾
8 DIN	4-6 mm	99 5172 75 08	- ¹⁾
12	4-6 mm	-	99 5130 75 12
14	4-6 mm	-	99 5452 75 14
19	4-6 mm	-	99 5462 75 19
24	4-6 mm	-	99 5496 75 24

芯数 Contacts	电缆出口直径 Cable outlet	镀银触点 Silver plated contacts	镀金触点 Gold plated contacts
2	6-8 mm	99 5602 75 02	- ¹⁾
3 DIN	6-8 mm	99 5606 75 03	- ¹⁾
4	6-8 mm	99 5610 75 04	- ¹⁾
5	6-8 mm	99 5614 75 05	- ¹⁾
5 (Stereo)	6-8 mm	99 5618 75 05	- ¹⁾
6 DIN	6-8 mm	99 5622 75 06	- ¹⁾
7	6-8 mm	99 5626 75 07	- ¹⁾
7 DIN	6-8 mm	99 5682 75 07	- ¹⁾
8 DIN	6-8 mm	99 5672 75 08	99 5672 79 08
12	6-8 mm	-	99 5630 75 12
14	6-8 mm	-	99 5652 75 14
16	6-8 mm	-	99 5456 75 16
19	6-8 mm	-	99 5662 75 19
24	6-8 mm	-	99 5696 75 24

技术参数 / Specifications

芯数	2	3 DIN	4	5	5 (Stereo)	6 DIN	7	7 DIN	8 DIN	12	14	16	19	24	Number of contacts	
锁紧方式	M16 螺母锁紧 / screw														Connector locking system	
接线方式	焊接 / solder														Termination	
导线截面	max. 0,75 mm ² (max. AWG 20)										max. 0,25 mm ² (max. AWG 24)			0,14 mm ² (26)	Wire gauge	
电缆出口直径	4-6 mm (PG 7), 6-8 mm (PG 9)														Cable outlet	
防护等级	IP67														Degree of protection	
插拔周期	> 500 插拔周期 / > 500 mating cycles														Mechanical operation	
最高工作温度	+ 95 °C														Upper temperature	
最低工作温度	- 40 °C														Lower temperature	
额定电压	250 V (32 V)				60 V (32 V)		250 V (32 V)		125 V (32 V)		60 V (32 V)					Rated voltage
额定冲击电压	1500 V				500 V		1500 V		800 V		500 V					Rated impulse voltage
污染等级	1 (2) ²⁾														Pollution degree	
过电压等级	I (II) ²⁾														Overvoltage categorie	
绝缘等级	III														Material group	
额定电流 (40 °C)	7 A			6 A			5 A			3 A			1 A			Rated current (40 °C)
触点电阻	≤ 5 mΩ / ≤ 3 mΩ														Contact resistance	
插针材料	CuSn (青铜 / bronze)														Material of contact	
插针表面材料	Ag (银 / silver) / Au (金 / gold)										Au (金 / gold)					Contact plating
插头主体材料	PBT														Material of contact body	
外壳材料	CuZn (黄铜镀镍 / brass, nickel plated)														Material of housing	

弯角连接器，孔，压接接线，屏蔽
Female angled connector, crimp connection, shieldable

弯角连接器，孔，压接接线，屏蔽
Female angled connector, crimp connection, shieldable

图例 / Figure



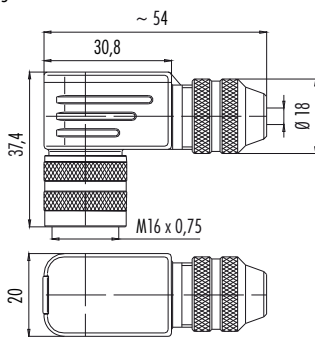
压接插针请见第254页

Crimp and ribbon contacts see page 254

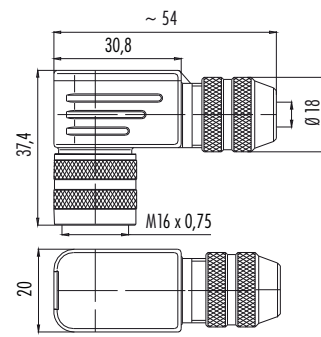
压接插针请见第254页

Crimp and ribbon contacts see page 254

尺寸图 / Drawing



RAUS



RAUS

订货信息 / Order Data

芯数 Contacts	电缆出口直径 Cable outlet	镀银触点 Silver plated contacts
4	4-6 mm	99 5110 750 04
5	4-6 mm	99 5114 750 05
6 DIN	4-6 mm	99 5122 750 06
7	4-6 mm	99 5126 750 07
8 DIN	4-6 mm	99 5172 750 08

芯数 Contacts	电缆出口直径 Cable outlet	镀银触点 Silver plated contacts
4	6-8 mm	99 5610 750 04
5	6-8 mm	99 5614 750 05
6 DIN	6-8 mm	99 5622 750 06
7	6-8 mm	99 5626 750 07
8 DIN	6-8 mm	99 5672 750 08

技术参数 / Specifications

芯数	4	5	6 DIN	7	8 DIN	Number of contacts
锁紧方式	M16 螺母锁紧 / screw					Connector locking system
接线方式	压接 / crimp					Termination
导线截面	4-6 pol. 0,14 mm ² -1,0 mm ² (AWG 26-AWG 18), 7+8 pol. 0,14 mm ² -0,75 mm ² (AWG 26-AWG 20)					Wire gauge
电缆出口直径	4-6 mm (PG 7), 6-8 mm (PG 9)					Cable outlet
防护等级	IP67					Degree of protection
插拔周期	>500插拔周期 / > 500 mating cycles					Mechanical operation
最高工作温度	+ 95 °C					Upper temperature
最低工作温度	- 40 °C					Lower temperature
额定电压	250 V (32 V)		125 V (32 V)		60 V (32 V)	Rated voltage
额定冲击电压	1500 V		800 V		500 V	Rated impulse voltage
污染等级	1 (2) ¹⁾					Pollution degree
过电压等级	I (II) ¹⁾					Overvoltage categorie
绝缘等级	III					Material group
额定电流 (40 °C)	6 A		5 A			Rated current (40 °C)
触点电阻	≤ 5 mΩ					Contact resistance
插针材料	—					Material of contact
插针表面材料	Ag(银 / silver)					Contact plating
插头主体材料	PBT					Material of contact body
外壳材料	CuZn(黄铜镀镍 / brass, nickel plated)					Material of housing

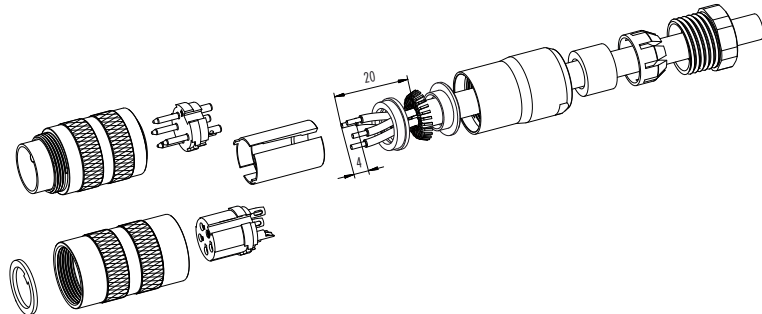
¹⁾当污染等级过电压级别均为 2 时额定电压降至32V ¹⁾In case of pollution degree 2, overvoltage category II rated voltage is reduced to 32 V.

安装指南 Assembly instruction

直头系列

(带屏蔽环)

- 按照顺序，将电缆穿入压紧螺丝，夹紧圈，密封圈，远端外壳和第一个屏蔽夹紧环。
- 剥开屏蔽层并打散，套入第二个屏蔽夹紧圈。
- 浇筑电缆，解开远端外壳，挤压两个屏蔽夹紧环，切断多余屏蔽。
- 根据计划安装其他部分。



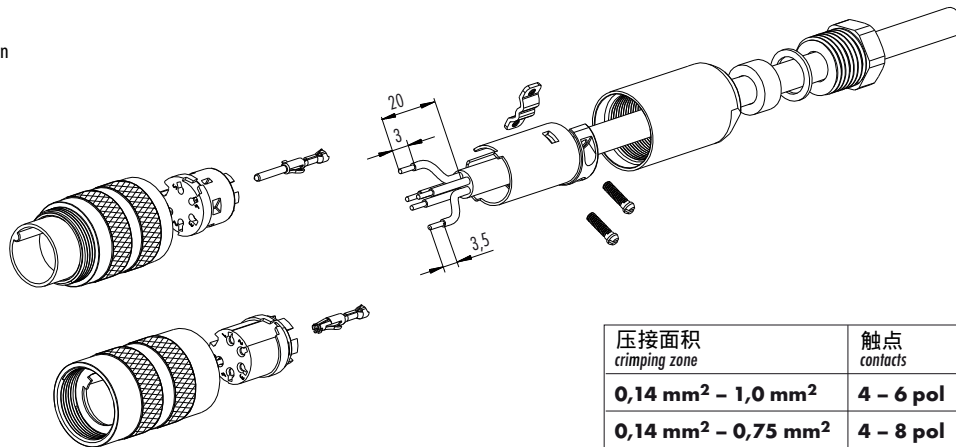
Straight version

(Version with shield clamping ring)

- Bead pressing screw, pinch ring, seal, distance shell and first shield clamping ring on cable.
- Strip wires, widen shield and bead second shield clamping ring.
- Solder wires, snap distance shell, push the two shield clamping rings together and cut off projecting shielding braid.
- Assemble remaining parts according to picture.

电缆连接器，压接接线

Cable connectors with crimp connection



压接面积 crimping zone	触点 contacts
0,14 mm ² – 1,0 mm ²	4 – 6 pol
0,14 mm ² – 0,75 mm ²	4 – 8 pol

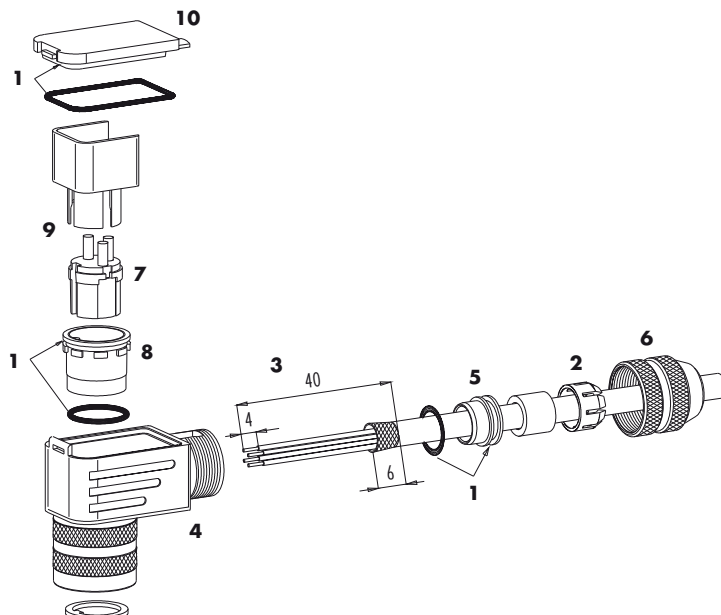
弯角连接器

Angled connectors

- 安装密封圈 (3个)
- 排列电缆部件
- 剥开电缆屏蔽层
- 将导线穿过底座
- 安装屏蔽圈和夹紧圈
- 将压紧螺丝旋转少许
- 将导线焊接于插头上
- 在弯角位置安装定位套筒
- 安装插头和远端外壳
- 安装保护盖
- 用10-20 Nm的力量拧紧压紧螺丝

Angled version

- Assemble sealing rings (3x).
- Bead cable parts.
- Dismantle cable and shielding braid.
- Push single wires through housing.
- Mount shielding ring and pinch ring.
- Slightly fix pressing screw.
- Solder wires to insert.
- Mount positioning sleeve in angled position.
- Put in insert and distance sleeve.
- Mount lid.
- Fix pressing screw (approx. 10-20 Nm).

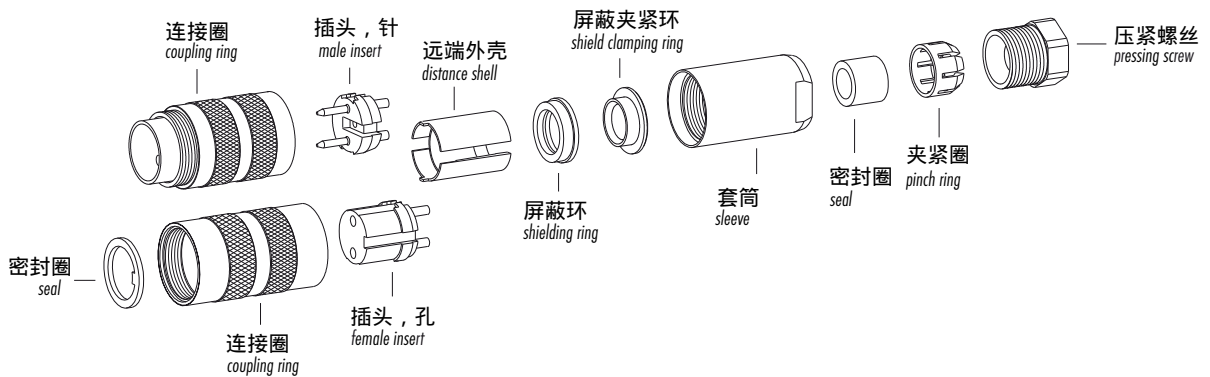


部件图

Component part drawing

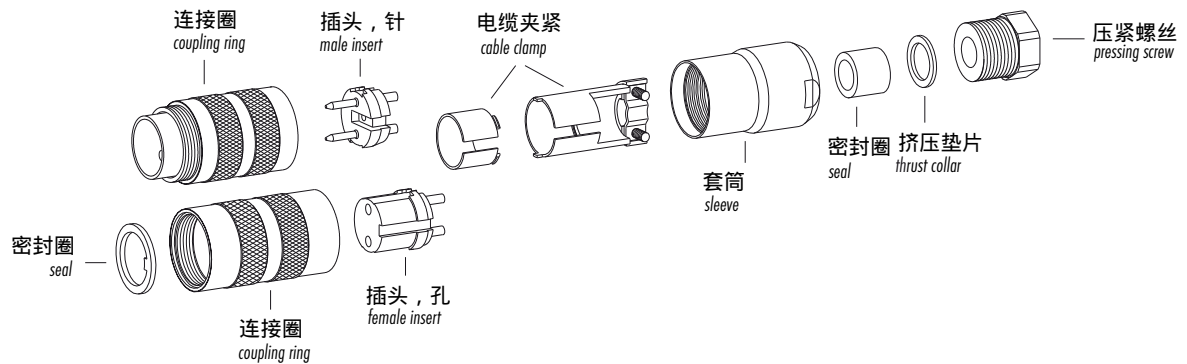
带屏蔽环的电缆连接器

Cable connectors with shielding ring



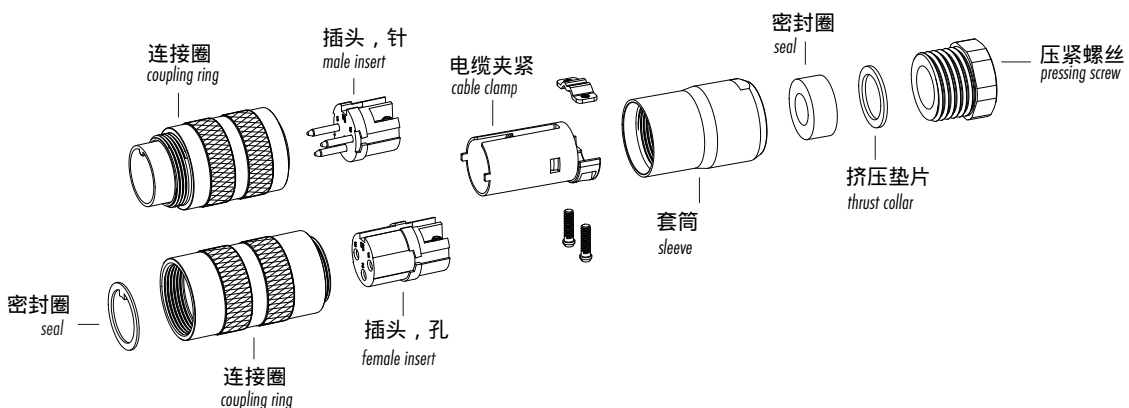
带电缆夹紧的电缆连接器

Cable connectors with cable clamp



电缆连接器, 螺钉接线

Cable connectors with screw clamp connection



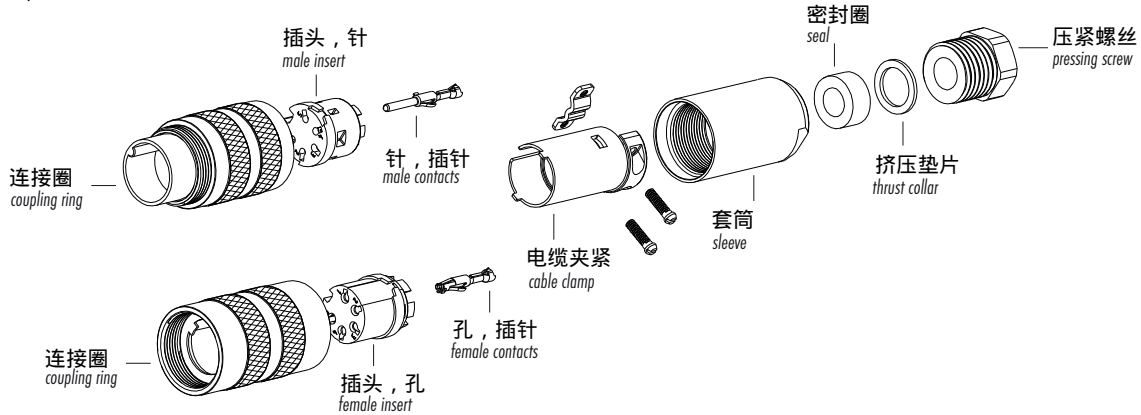
423-723-425

部件图

Component part drawing

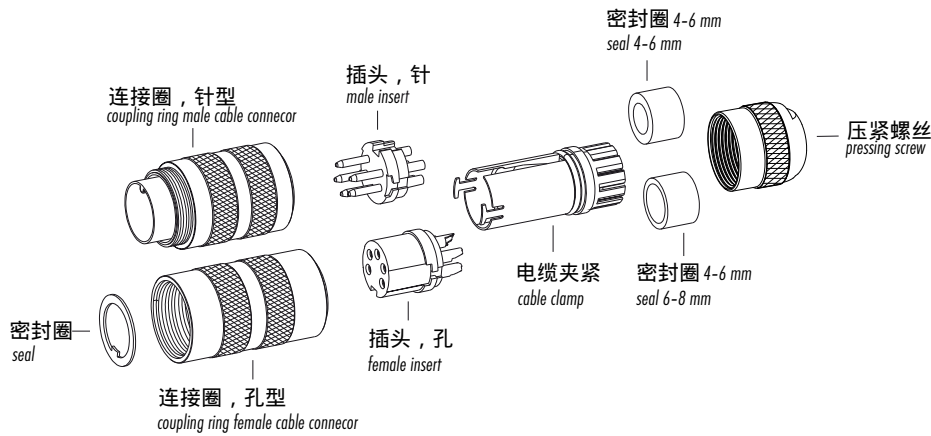
电缆连接器，压接接线

Cable connectors with crimp connection



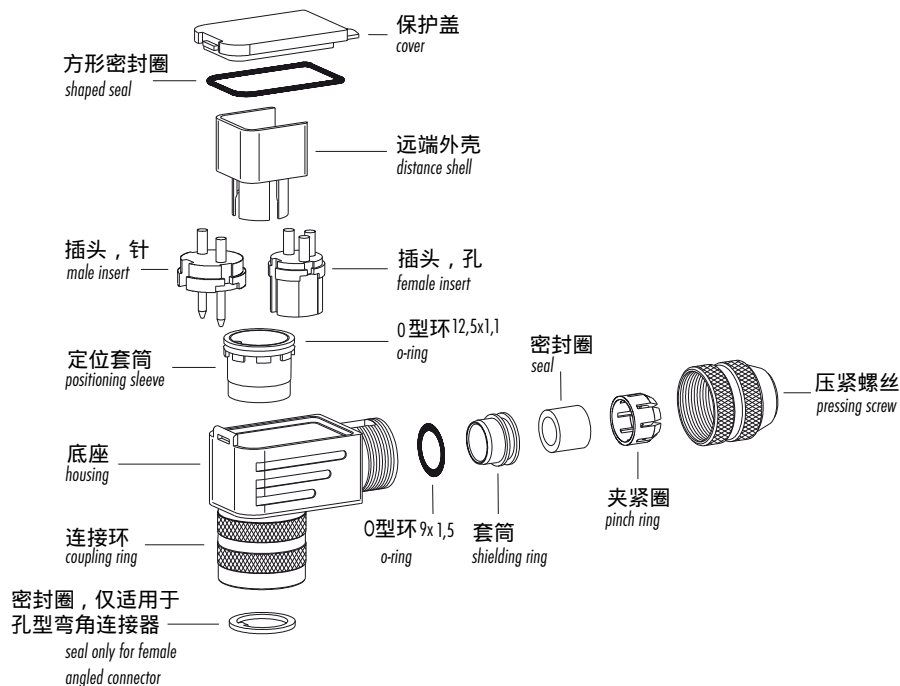
电缆连接器，短型

Cable connectors short version



弯角连接器

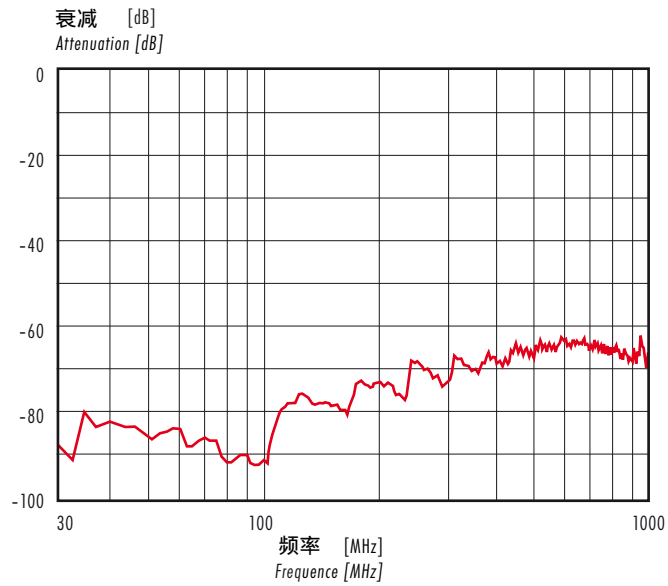
Angled connectors



额定 Ratings

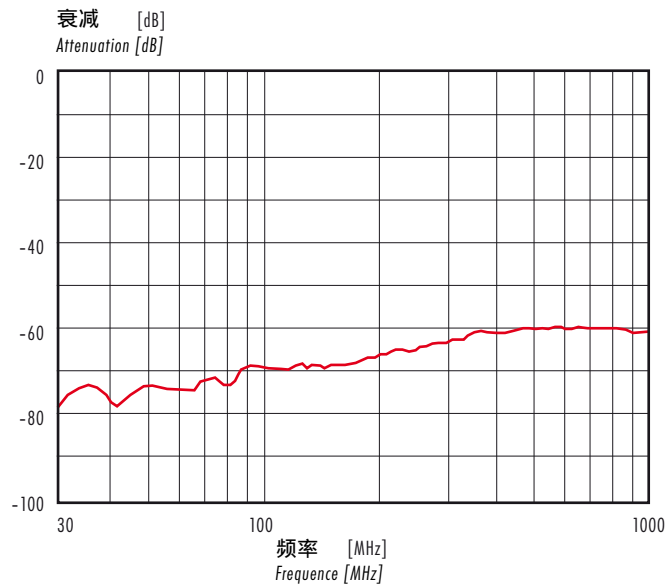
根据 DIN 47250-6 的衰减曲线
电缆连接器，针
带屏蔽环，
(电缆系列 IEEE 802.3)

Attenuation curve according to DIN 47250-6
for straight male cable connectors
with shielding ring,
(cable version IEEE 802.3)



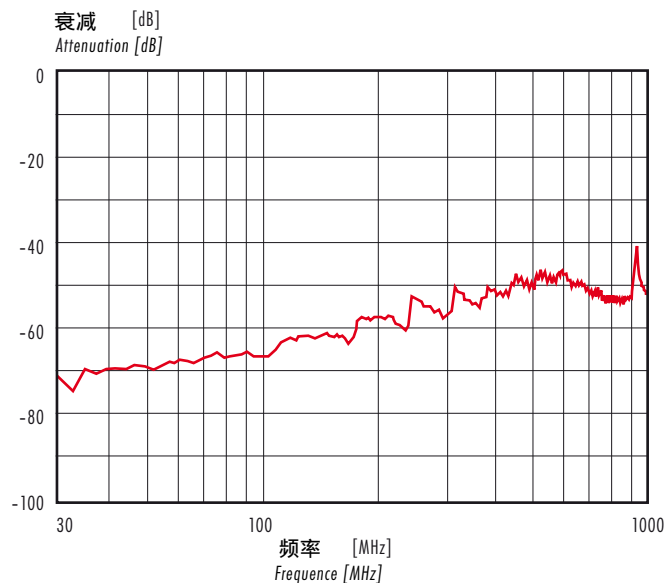
根据 DIN 47250-6 的衰减曲线
电缆连接器，孔
带屏蔽环，
(电缆系列 IEEE 802.3)

Attenuation curve according to DIN 47250-6
for straight female cable connectors
with cable clamp,
(cable version IEEE 802.3)



根据 DIN 47250-6 的衰减曲线
弯角连接器
(电缆系列 IEEE 802.3)

Attenuation curve according to DIN 47250-6
for angled cable connectors
(cable version IEEE 802.3)



423-723-425

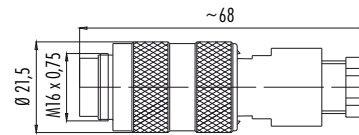
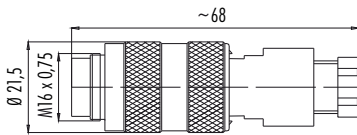
电缆连接器，针
Male cable connector

电缆连接器，针
Male cable connector

图例 / Figure



尺寸图 / Drawing



订货信息 / Order Data

芯数 Contacts	电缆出口直径 Cable outlet	镀银触点 Silver plated contacts	镀金触点 Gold plated contacts
2	4-6 mm	09 0101 25 02	09 0101 19 02
3 DIN	4-6 mm	09 0105 25 03	09 0105 19 03
4	4-6 mm	09 0109 25 04	09 0109 19 04
5	4-6 mm	09 0113 25 05	09 0113 19 05
5 (Stereo)	4-6 mm	09 0117 25 05	09 0117 19 05
6 DIN	4-6 mm	09 0121 25 06	09 0121 19 06
7	4-6 mm	09 0125 25 07	09 0125 19 07
7 DIN	4-6 mm	09 0581 25 07	-
8 DIN	4-6 mm	09 0171 25 08	09 0171 19 08
12	4-6 mm	-	09 0129 25 12
14	4-6 mm	-	09 0451 25 14
16	4-6 mm	-	09 0505 25 16
19	4-6 mm	-	09 0461 25 19
24	4-6 mm	-	09 0495 25 24

芯数 Contacts	电缆出口直径 Cable outlet	镀银触点 Silver plated contacts	镀金触点 Gold plated contacts
2	6-8 mm	09 0101 70 02	09 0101 79 02
3 DIN	6-8 mm	09 0105 70 03	09 0105 79 03
4	6-8 mm	09 0109 70 04	09 0109 79 04
5	6-8 mm	09 0113 70 05	09 0113 79 05
5 (Stereo)	6-8 mm	09 0117 70 05	09 0117 79 05
6 DIN	6-8 mm	09 0121 70 06	09 0121 79 06
7	6-8 mm	09 0125 70 07	09 0125 79 07
7 DIN	6-8 mm	-	-
8 DIN	6-8 mm	09 0171 70 08	09 0171 79 08
12	6-8 mm	-	09 0129 70 12
14	6-8 mm	-	09 0451 70 14
16	6-8 mm	-	09 0505 70 16
19	6-8 mm	-	09 0461 70 19
24	6-8 mm	-	09 0495 70 24

技术参数 / Specifications

芯数	2	3 DIN	4	5	5 (Stereo)	6 DIN	7	7 DIN	8 DIN	12	14	16	19	24	Number of contacts
锁紧方式	M16 螺母锁紧 / screw														Connector locking system
接线方式	焊接 / solder														Termination
导线截面	max. 0,75 mm ² (max. AWG 20)										max. 0,25 mm ² (max. AWG 24)			0,14 mm ² (26)	Wire gauge
电缆出口直径	4-6 mm (PG 7), 6-8 mm (PG 9)														Cable outlet
防护等级	IP67														Degree of protection
插拔周期	>500 插拔周期 / > 500 mating cycles														Mechanical operation
最高工作温度	+ 95 °C														Upper temperature
最低工作温度	- 40 °C														Lower temperature
额定电压	250 V (32 V)				60 V (32 V)	250 V (32 V)	125 V (32 V)	60 V (32 V)							Rated voltage
额定冲击电压	1500 V				500 V	1500 V	800 V	500 V							Rated impulse voltage
污染等级	1 (2) ¹⁾														Pollution degree
过电压等级	I (II) ¹⁾														Overvoltage categorie
绝缘等级	III														Material group
额定电流 (40 °C)	7 A			6 A				5 A			3 A			1 A	Rated current (40 °C)
触点电阻	≤ 5 mΩ / ≤ 3 mΩ														Contact resistance
插针材料	CuZn(黄铜 / brass)														Material of contact
插针表面材料	Ag(银 / silver)/Au(金 / gold)							Au(金 / gold)							Contact plating
插头主体材料	PBT														Material of contact body
外壳材料	PA														Material of housing

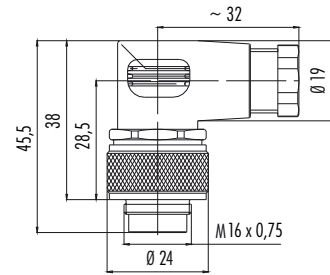
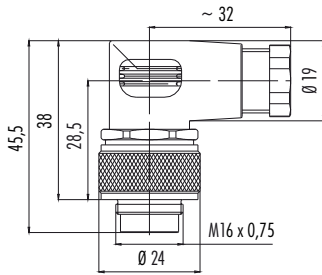
弯角连接器，针
Male angled connector

弯角连接器，针
Male angled connector

图例 / Figure



尺寸图 / Drawing



订货信息 / Order Data

芯数 Contacts	电缆出口直径 Cable outlet	镀银触点 Silver plated contacts	镀金触点 Gold plated contacts
2	4-6 mm	99 0101 106 02	99 0101 118 02
3 DIN	4-6 mm	99 0105 106 03	99 0105 118 03
4	4-6 mm	99 0109 106 04	99 0109 118 04
5	4-6 mm	99 0113 106 05	99 0113 118 05
5 (Stereo)	4-6 mm	-	99 0117 118 05
6 DIN	4-6 mm	99 0121 106 06	99 0121 118 06
7	4-6 mm	99 0125 106 07	99 0125 118 07
7 DIN	4-6 mm	99 0581 106 07	-
8 DIN	4-6 mm	99 0171 106 08	99 0171 118 08
12	4-6 mm	-	99 0129 106 12
14	4-6 mm	-	99 0451 106 14
16	4-6 mm	-	99 0505 106 16
19	4-6 mm	-	99 0461 106 19
24	4-6 mm	-	99 0495 106 24

芯数 Contacts	电缆出口直径 Cable outlet	镀银触点 Silver plated contacts	镀金触点 Gold plated contacts
2	6-8 mm	99 0101 75 02	99 0101 77 02
3 DIN	6-8 mm	99 0105 75 03	99 0105 77 03
4	6-8 mm	99 0109 75 04	99 0109 77 04
5	6-8 mm	99 0113 75 05	99 0113 77 05
5 (Stereo)	6-8 mm	99 0117 75 05	-
6 DIN	6-8 mm	99 0121 75 06	-
7	6-8 mm	99 0125 75 07	99 0125 77 07
7 DIN	6-8 mm	-	-
8 DIN	6-8 mm	99 0171 75 08	99 0171 77 08
12	6-8 mm	-	99 0129 75 12
14	6-8 mm	-	99 0451 75 14
16	6-8 mm	-	99 0505 75 16
19	6-8 mm	-	99 0461 75 19
24	6-8 mm	-	99 0495 75 24

技术参数 / Specifications

芯数	2	3 DIN	4	5	5 (Stereo)	6 DIN	7	7 DIN	8 DIN	12	14	16	19	24	Number of contacts
锁紧方式	M16螺母锁紧 / screw														Connector locking system
接线方式	焊接 / solder														Termination
导线截面	max. 0,75 mm ² (max. AWG 20)										max. 0,25 mm ² (max. AWG 24)		0,14 mm ² (26)		Wire gauge
电缆出口直径	4-6 mm (PG 7), 6-8 mm (PG 9)														Cable outlet
防护等级	IP67														Degree of protection
插拔周期	>500插拔周期 / > 500 mating cycles														Mechanical operation
最高工作温度	+ 95 °C														Upper temperature
最低工作温度	- 40 °C														Lower temperature
额定电压	250 V (32 V)			60 V (32 V)			250 V (32 V)		125 V (32 V)		60 V (32 V)				Rated voltage
额定冲击电压	1500 V			500 V			1500 V		800 V		500 V				Rated impulse voltage
污染等级	1 (2) ¹⁾														Pollution degree
过电压等级	I (II) ¹⁾														Overvoltage categorie
绝缘等级	III														Material group
额定电流 (40 °C)	7 A		6 A			5 A				3 A			1 A		Rated current (40 °C)
触点电阻	≤ 5 mΩ / ≤ 3 mΩ														Contact resistance
插针材料	CuZn(黄铜 / brass)														Material of contact
插针表面材料	Ag(银 / silver)/Au(金 / gold)								Au(金 / gold)						Contact plating
插头主体材料	PBT								PA						Material of contact body
外壳材料	PA														Material of housing

¹⁾当污染等级过电压级别均为 2 时额定电压降至32V¹⁾ In case of pollution degree 2, overvoltage category II rated voltage is reduced to 32 V.

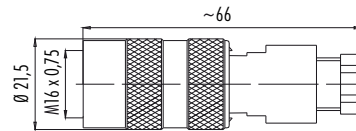
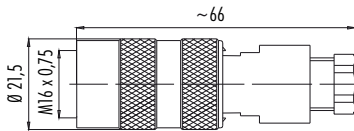
电缆连接器，孔
Female cable connector

电缆连接器，孔
Female cable connector

图例 / Figure



尺寸图 / Drawing



订货信息 / Order Data

芯数 Contacts	电缆出口直径 Cable outlet	镀银触点 Silver plated contacts	镀金触点 Gold plated contacts
2	4-6 mm	09 0102 25 02	-
3 DIN	4-6 mm	09 0106 25 03	09 0106 19 03
4	4-6 mm	09 0110 25 04	09 0110 19 04
5	4-6 mm	09 0114 25 05	09 0114 19 05
5 (Stereo)	4-6 mm	09 0118 25 05	09 0118 19 05
6 DIN	4-6 mm	09 0122 25 06	09 0122 19 06
7	4-6 mm	09 0126 25 07	09 0126 19 07
7 DIN	4-6 mm	09 0582 25 07	-
8 DIN	4-6 mm	09 0172 25 08	09 0172 19 08
12	4-6 mm	-	09 0130 25 12
14	4-6 mm	-	-
16	4-6 mm	-	09 0506 25 16
19	4-6 mm	-	09 0462 25 19
24	4-6 mm	-	09 0496 25 24

芯数 Contacts	电缆出口直径 Cable outlet	镀银触点 Silver plated contacts	镀金触点 Gold plated contacts
2	6-8 mm	09 0102 70 02	09 0102 79 02
3 DIN	6-8 mm	09 0106 70 03	09 0106 79 03
4	6-8 mm	09 0110 70 04	09 0110 79 04
5	6-8 mm	09 0114 70 05	09 0114 79 05
5 (Stereo)	6-8 mm	09 0118 70 05	09 0118 79 05
6 DIN	6-8 mm	09 0122 70 06	09 0122 79 06
7	6-8 mm	09 0126 70 07	09 0126 79 07
7 DIN	6-8 mm	-	-
8 DIN	6-8 mm	09 0172 70 08	09 0172 79 08
12	6-8 mm	-	09 0130 70 12
14	6-8 mm	-	09 0452 70 14
16	6-8 mm	-	09 0506 70 16
19	6-8 mm	-	09 0462 70 19
24	6-8 mm	-	09 0496 70 24

技术参数 / Specifications

芯数	2	3 DIN	4	5	5 (Stereo)	6 DIN	7	7 DIN	8 DIN	12	14	16	19	24	Number of contacts	
锁紧方式	M16 螺母锁紧 / screw														Connector locking system	
接线方式	焊接 / solder														Termination	
导线截面	max. 0,75 mm ² (max. AWG 20)										max. 0,25 mm ² (max. AWG 24)			0,14 mm ² (26)	Wire gauge	
电缆出口直径	4-6 mm (PG 7), 6-8 mm (PG 9)														Cable outlet	
防护等级	IP67														Degree of protection	
插拔周期	> 500 插拔周期 / > 500 mating cycles														Mechanical operation	
最高工作温度	+ 95 °C														Upper temperature	
最低工作温度	- 40 °C														Lower temperature	
额定电压	250 V (32 V)				60 V (32 V)	250 V (32 V)	125 V (32 V)	60 V (32 V)							Rated voltage	
额定冲击电压	1500 V				500 V	1500 V	800 V	500 V							Rated impulse voltage	
污染等级	1 (2) ¹⁾														Pollution degree	
过电压等级	I (II) ¹⁾														Overvoltage categorie	
绝缘等级	III														Material group	
额定电流 (40 °C)	7 A			6 A			5 A			3 A			1 A			Rated current (40 °C)
触点电阻	≤ 5 mΩ / ≤ 3 mΩ														Contact resistance	
插针材料	CuSn (青铜 / bronze)														Material of contact	
插针表面材料	Ag (银 / silver) / Au (金 / gold)							Au (金 / gold)							Contact plating	
插头主体材料	PBT														Material of contact body	
外壳材料	PA														Material of housing	

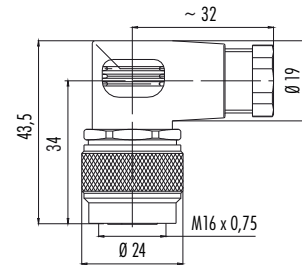
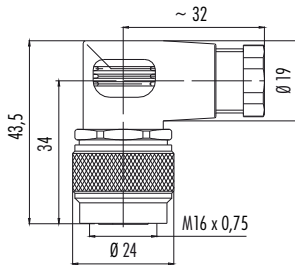
弯角连接器，孔
Female angled connector

弯角连接器，孔
Female angled connector

图例 / Figure



尺寸图 / Drawing



订货信息 / Order Data

芯数 Contacts	电缆出口直径 Cable outlet	镀银触点 Silver plated contacts	镀金触点 Gold plated contacts
2	4-6 mm	99 0102 106 02	99 0102 118 02
3 DIN	4-6 mm	99 0106 106 03	99 0106 118 03
4	4-6 mm	99 0110 106 04	99 0110 118 04
5	4-6 mm	99 0114 106 05	99 0114 118 05
5 (Stereo)	4-6 mm	99 0118 106 05	99 0118 118 05
6 DIN	4-6 mm	99 0122 106 06	-
7	4-6 mm	99 0126 106 07	99 0126 118 07
7 DIN	4-6 mm	99 0582 106 07	-
8 DIN	4-6 mm	99 0172 106 08	99 0172 118 08
12	4-6 mm	-	99 0130 106 12
14	4-6 mm	-	-
16	4-6 mm	-	99 0506 106 16
19	4-6 mm	-	99 0462 106 19
24	4-6 mm	-	-

芯数 Contacts	电缆出口直径 Cable outlet	镀银触点 Silver plated contacts	镀金触点 Gold plated contacts
2	6-8 mm	99 0102 75 02	99 0102 77 02
3 DIN	6-8 mm	99 0106 75 03	99 0106 77 03
4	6-8 mm	99 0110 75 04	99 0110 77 04
5	6-8 mm	99 0114 75 05	99 0114 77 05
5 (Stereo)	6-8 mm	-	-
6 DIN	6-8 mm	99 0122 75 06	99 0122 77 06
7	6-8 mm	99 0126 75 07	99 0126 77 07
7 DIN	6-8 mm	-	-
8 DIN	6-8 mm	99 0172 75 08	99 0172 77 08
12	6-8 mm	-	99 0130 75 12
14	6-8 mm	-	99 0452 75 14
16	6-8 mm	-	99 0506 75 16
19	6-8 mm	-	99 0462 75 19
24	6-8 mm	-	99 0496 75 24

技术参数 / Specifications

芯数	2	3 DIN	4	5	5 (Stereo)	6 DIN	7	7 DIN	8 DIN	12	14	16	19	24	Number of contacts
锁紧方式	M16螺母锁紧 / screw														Connector locking system
接线方式	焊接 / solder														Termination
导线截面	max. 0,75 mm ² (max. AWG 20)										max. 0,25 mm ² (max. AWG 24)		0,14 mm ² (26)		Wire gauge
电缆出口直径	4-6 mm (PG 7), 6-8 mm (PG 9)														Cable outlet
防护等级	IP67														Degree of protection
插拔周期	>500 插拔周期 / > 500 mating cycles														Mechanical operation
最高工作温度	+ 95 °C														Upper temperature
最低工作温度	- 40 °C														Lower temperature
额定电压	250 V (32 V)			60 V (32 V)			250 V (32 V)		125 V (32 V)		60 V (32 V)				Rated voltage
额定冲击电压	1500 V			500 V			1500 V		800 V		500 V				Rated impulse voltage
污染等级	1 (2) ¹⁾														Pollution degree
过电压等级	I (II) ¹⁾														Overvoltage categorie
绝缘等级	III														Material group
额定电流 (40 °C)	7 A			6 A			5 A		3 A				1 A		Rated current (40 °C)
触点电阻	≤ 5 mΩ / ≤ 3 mΩ														Contact resistance
插针材料	CuSn(青铜/bronze)														Material of contact
插针表面材料	Ag(银 / silver)/Au(金 / gold)								Au(金 / gold)						Contact plating
插头主体材料	PBT														Material of contact body
外壳材料	PA														Material of housing

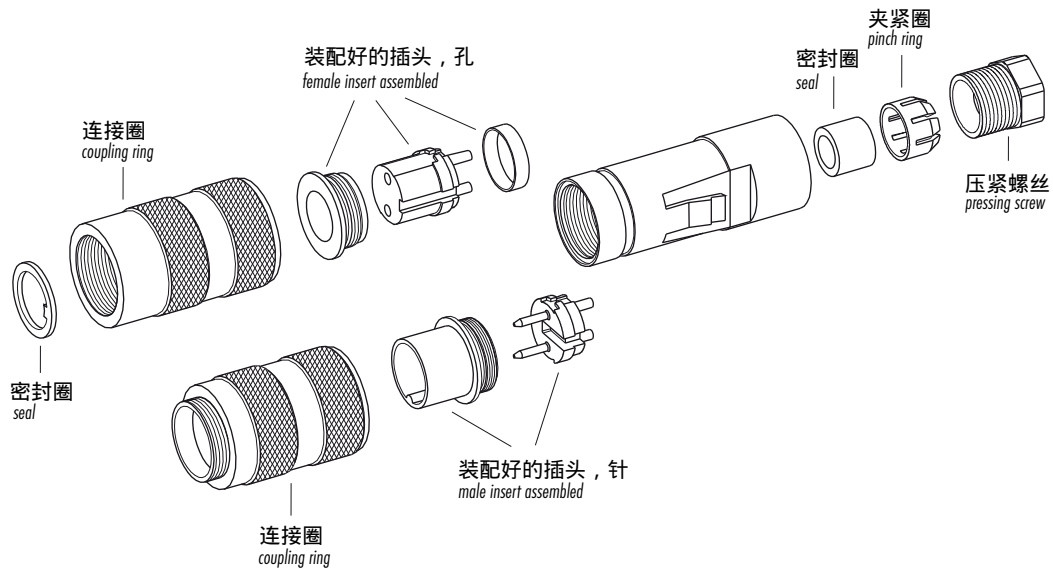
¹⁾当污染等级过电压级别均为 2 时额定电压降至32V¹⁾ In case of pollution degree 2, overvoltage category II rated voltage is reduced to 32 V.

部件图

Component part drawing

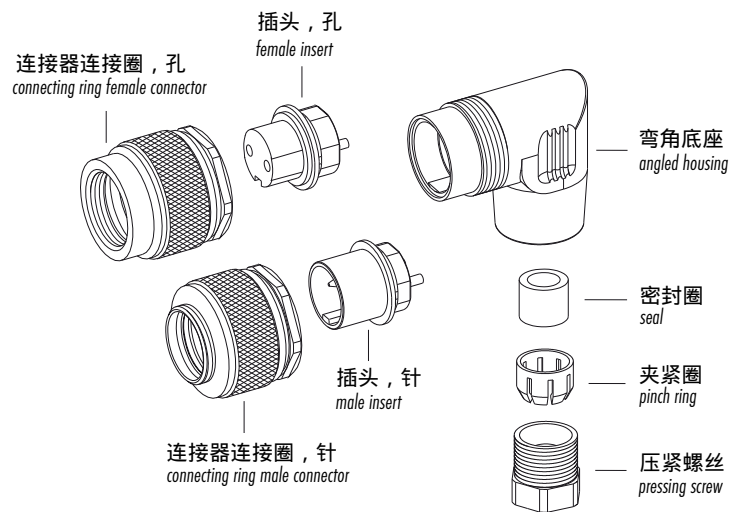
电缆连接器

Cable connectors



弯角连接器

Angled connectors





e.p.s

Y5/4
E32

Mfr.: 04/2012
1214DE

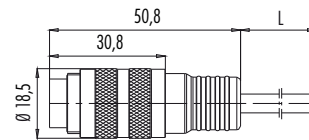
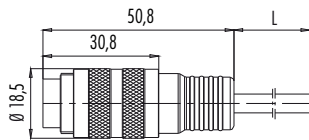
电缆连接器，针
Male cable connector

电缆连接器，针，屏蔽
Male cable connector, shielded

图例 / Figure



尺寸图 / Drawing



订货信息 / Order Data

芯数 Contacts	电缆长度 Cable length	镀金触点 Gold plated contacts
5	2 m	79 6013 20 05
8 DIN	2 m	79 6071 20 08
12	2 m	79 6029 20 12
14	2 m	79 6051 20 14

芯数 Contacts	电缆长度 Cable length	镀金触点 Gold plated contacts
5	2 m	79 6113 20 05
6 DIN	2 m	79 6117 20 06
8 DIN	2 m	79 6171 20 08
12	2 m	79 6129 20 12

技术参数 / Specifications

芯数	5	6	8 DIN	12	14	Number of contacts
锁紧方式	M16 螺母锁紧 / screw					Connector locking system
接线方式	焊接，浇铸电缆 / solder, moulded					Termination
导线截面	0,25 mm ² (AWG 24)			8x0,25 mm ² / 2x0,5 mm ² (AWG 24/20)		Wire gauge
电缆出口直径	—					Cable outlet
防护等级	IP67					Degree of protection
插拔周期	>500 插拔周期 / > 500 mating cycles					Mechanical operation
最高工作温度	+70 °C					Upper temperature
最低工作温度	-25 °C					Lower temperature
额定电压	250 V (32 V)		60 V (32 V)			Rated voltage
额定冲击电压	1500 V		500 V			Rated impulse voltage
污染等级	1 (2) ¹⁾					Pollution degree
过电压等级	I (II) ¹⁾					Overvoltage categorie
绝缘等级	III					Material group
额定电流 (40 °C)	3 A					Rated current (40 °C)
触点电阻	≤ 3 mΩ					Contact resistance
插针材料	CuZn (黄铜 / brass)					Material of contact
插针表面材料	Au (金 / gold)					Contact plating
插头主体材料	PBT					Material of contact body
外壳材料	PUR					Material of housing

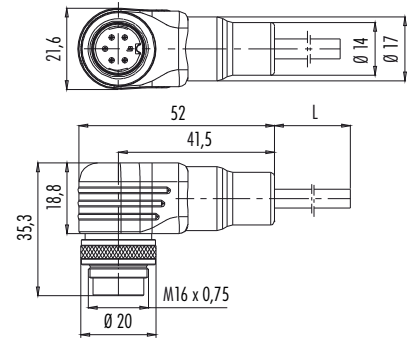
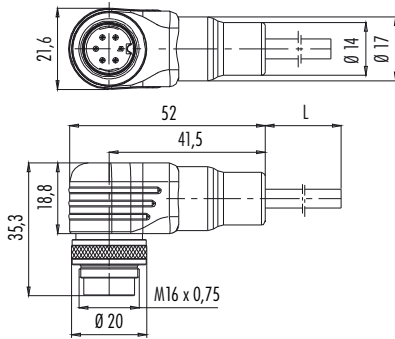
弯角连接器，针
Male angled connector

弯角连接器，针，屏蔽
Male angled connector, shielded

图例 / Figure



尺寸图 / Drawing



订货信息 / Order Data

芯数 Contacts	电缆长度 Cable length	镀金触点 Gold plated contacts
5	2 m	79 6213 200 05
8 DIN	2 m	79 6271 200 08
12	2 m	79 6229 200 12
14	2 m	79 6251 200 14

芯数 Contacts	电缆长度 Cable length	镀金触点 Gold plated contacts
5	2 m	79 6313 200 05
6 DIN	2 m	79 6317 200 06
8 DIN	2 m	79 6371 200 08
12	2 m	79 6329 200 12

技术参数 / Specifications

芯数	5	6	8 DIN	12	14	Number of contacts
锁紧方式	M16螺母锁紧 / screw					Connector locking system
接线方式	焊接，压铸 / solder, moulded					Termination
导线截面	0,25 mm ² (AWG 24)			8x0,25 mm ² / 2x0,5 mm ² (AWG 24/20)		Wire gauge
电缆出口直径	—					Cable outlet
防护等级	IP67					Degree of protection
插拔周期	> 500 插拔周期 / > 500 mating cycles					Mechanical operation
最高工作温度	+ 70 °C					Upper temperature
最低工作温度	- 25 °C					Lower temperature
额定电压	250 V (32 V)			60 V (32 V)		Rated voltage
额定冲击电压	1500 V			500 V		Rated impulse voltage
污染等级	1 (2) ¹⁾					Pollution degree
过电压等级	I (II) ¹⁾					Overvoltage categorie
绝缘等级	III					Material group
额定电流 (40 °C)	3 A					Rated current (40 °C)
触点电阻	≤ 3 mΩ					Contact resistance
插针材料	CuZn (黄铜 / brass)					Material of contact
插针表面材料	Au (金 / gold)					Contact plating
插头主体材料	PBT					Material of contact body
外壳材料	PUR					Material of housing

¹⁾当污染等级过电压级别均为 2 时额定电压降至32V¹⁾ In case of pollution degree 2, overvoltage category II rated voltage is reduced to 32 V.

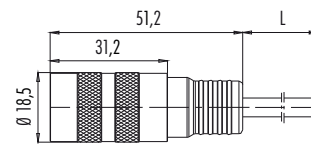
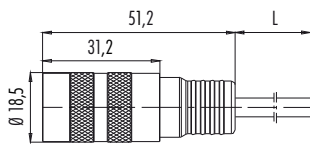
电缆连接器，孔
Female cable connector

电缆连接器，针，屏蔽
Female cable connector, shielded

图例 / Figure



尺寸图 / Drawing



订货信息 / Order Data

芯数 Contacts	电缆长度 Cable length	镀金触点 Gold plated contacts
5	2 m	79 6014 20 05
8 DIN	2 m	79 6072 20 08
12	2 m	79 6030 20 12
14	2 m	79 6052 20 14

芯数 Contacts	电缆长度 Cable length	镀金触点 Gold plated contacts
5	2 m	79 6114 20 05
6 DIN	2 m	79 6118 20 06
8 DIN	2 m	79 6172 20 08
12	2 m	79 6130 20 12

技术参数 / Specifications

芯数	5	6	8 DIN	12	14	Number of contacts
锁紧方式	M16螺母锁紧 / screw					Connector locking system
接线方式	焊接, 浇铸 / solder, moulded					Termination
导线截面	0,25 mm ² (AWG 24)			8x0,25 mm ² / 2x0,5 mm ² (AWG 24/20)		Wire gauge
电缆出口直径	—					Cable outlet
防护等级	IP67					Degree of protection
插拔周期	>500插拔周期 / > 500 mating cycles					Mechanical operation
最高工作温度	+ 70 °C					Upper temperature
最低工作温度	- 25 °C					Lower temperature
额定电压	250 V (32 V)		60 V (32 V)			Rated voltage
额定冲击电压	1500 V		500 V			Rated impulse voltage
污染等级	1 (2) ¹⁾					Pollution degree
过电压等级	I (II) ¹⁾					Overvoltage categorie
绝缘等级	III					Material group
额定电流 (40 °C)	3 A					Rated current (40 °C)
触点电阻	≤ 3 mΩ					Contact resistance
插针材料	CuSn(青铜/bronze)					Material of contact
插针表面材料	Au(金/gold)					Contact plating
插头主体材料	PBT					Material of contact body
外壳材料	PUR					Material of housing

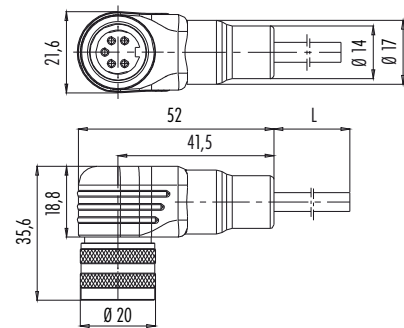
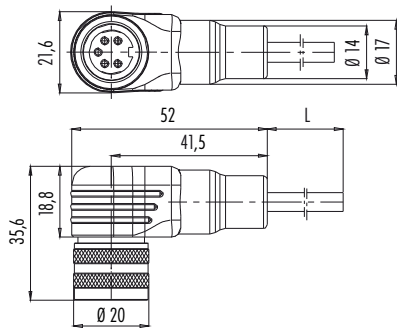
弯角连接器，孔
Female angled connector

弯角连接器，孔，屏蔽
Female angled connector, shielded

图例 / Figure



尺寸图 / Drawing



订货信息 / Order Data

芯数 Contacts	电缆长度 Cable length	镀金触点 Gold plated contacts
5	2 m	79 6214 200 05
8 DIN	2 m	79 6272 200 08
12	2 m	79 6230 200 12
14	2 m	79 6252 200 14

芯数 Contacts	电缆长度 Cable length	镀金触点 Gold plated contacts
5	2 m	79 6314 200 05
6 DIN	2 m	79 6318 200 06
8 DIN	2 m	79 6372 200 08
12	2 m	79 6330 200 12

技术参数 / Specifications

芯数	5	6	8 DIN	12	14	Number of contacts
锁紧方式	M16 螺母锁紧 / screw					Connector locking system
接线方式	焊接, 浇铸 / solder, moulded					Termination
导线截面	0,25 mm ² (AWG 24)			8x0,25 mm ² / 2x0,5 mm ² (AWG 24/20)		Wire gauge
电缆出口直径	—					Cable outlet
防护等级	IP67					Degree of protection
插拔周期	>500 插拔周期 / > 500 mating cycles					Mechanical operation
最高工作温度	+ 70 °C					Upper temperature
最低工作温度	- 25 °C					Lower temperature
额定电压	250 V (32 V)		60 V (32 V)			Rated voltage
额定冲击电压	1500 V		500 V			Rated impulse voltage
污染等级	1 (2) ¹⁾					Pollution degree
过电压等级	I (II) ¹⁾					Overvoltage categorie
绝缘等级	III					Material group
额定电流 (40 °C)	3 A					Rated current (40 °C)
触点电阻	≤ 3 mΩ					Contact resistance
插针材料	CuSn(青铜 / bronze)					Material of contact
插针表面材料	Au(金 / gold)					Contact plating
插头主体材料	PBT					Material of contact body
外壳材料	PUR					Material of housing

¹⁾当污染等级过电压级别均为 2 时额定电压降至32V¹⁾ In case of pollution degree 2, overvoltage category II rated voltage is reduced to 32 V.

电缆技术参数 Specifications

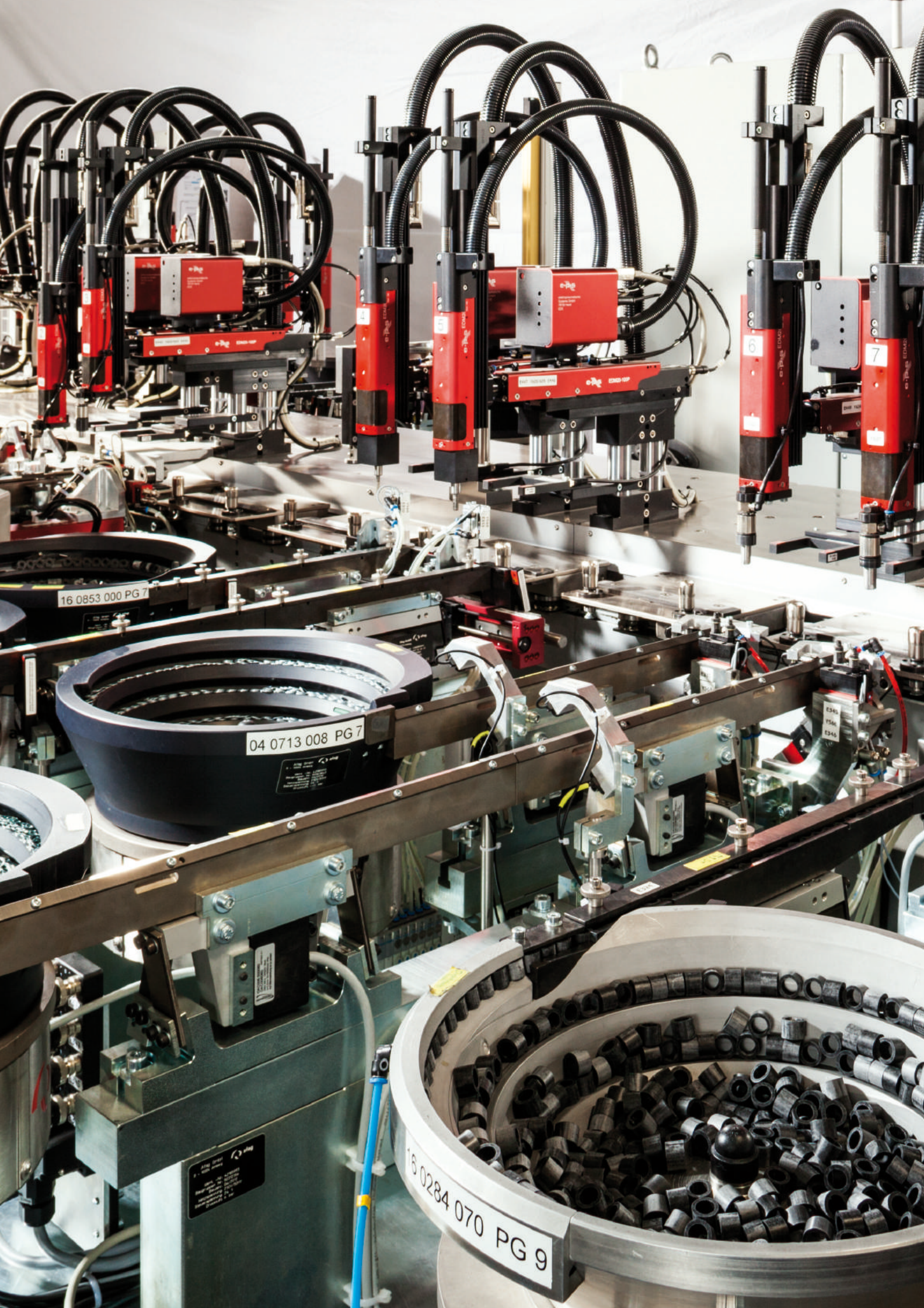
标准电缆 Standard cable

芯数	5	8 DIN	12	14	Number of contacts
导线截面 (mm ²)	5 x 0,25 mm (AWG 24)	8 x 0,25 mm ² (AWG 24)	12 x 0,25 mm ² (AWG 24)	8x0,25 mm ² / 2x0,5 mm ² (AWG 24/20)	Wire gauge mm ² ¹⁾
电缆护套材质	PUR				Material jacket
导线绝缘层	PVC				Insulation wire
导线规格	32 x 0,1		14 x 0,15	32 x 0,1 / 63 x 0,1	Design of wire (mm)
电缆外壳	5 ±0,2	5,7 ±0,2	7 ±0,2	8 ±0,2	Cable jacket (mm)
导线电阻	—				Resistance of wire
工作温度范围 (电缆运动)	- 5 °C /+ 70 °C				Temperature range (cable in move)
工作温度范围 (电缆静止)	- 25 °C /+ 70 °C				Temperature range (cable not in move)
弯曲半径 (电缆运动)	75 mm	85 mm	105 mm	120 mm	Bending radius (cable in move)
弯曲半径 (电缆静止)	50 mm	57 mm	70 mm	80 mm	Bending radius (cable not in move)
认证	—				Approval

电缆技术参数 Specifications

屏蔽电缆 Shielded cable

芯数	5	6 DIN	8 DIN	12	Number of contacts
导线截面 (mm ²)	5 x 0,25 mm ² (AWG 24)	6 x 0,25 mm ² (AWG 24)	8 x 0,25 mm ² (AWG 24)	12 x 0,25 mm ² (AWG 24)	Wire gauge mm ² ¹⁾
电缆护套材质	PUR				Material jacket
导线绝缘层	PE	PVC		PE	Insulation wire
导线规格	14 x 0,15		19 x 0,13	14 x 0,15	Design of wire (mm)
电缆外壳	5,3 ±0,2		6 ±0,2	7,8 ±0,2	Cable jacket (mm)
导线电阻	—				Resistance of wire
工作温度范围 (电缆运动)	- 5 °C /+ 70 °C				Temperature range (cable in move)
工作温度范围 (电缆静止)	- 20 °C /+ 70 °C				Temperature range (cable not in move)
弯曲半径 (电缆运动)	80 mm		90 mm	117 mm	Bending radius (cable in move)
弯曲半径 (电缆静止)	53 mm		60 mm	78 mm	Bending radius (cable not in move)
认证	min. 85 %				Approval



16 0853 000 PG 7

04 0713 008 PG 7

16 0284 070 PG 9

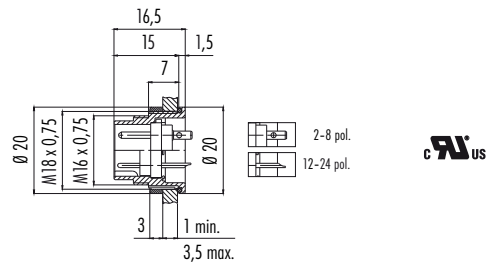
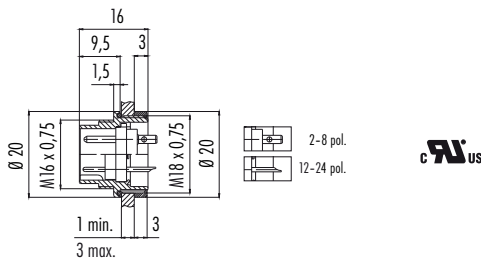
面板安装连接器，针，焊接
Male panel mount connector, solder

面板安装连接器，针，焊接，板前固定
Male panel mount connector, solder, front fastened

图例 / Figure



尺寸图 / Drawing



订货信息 / Order Data

芯数 Contacts	镀银触点 Silver plated contacts	镀金触点 Gold plated contacts
2	09 0103 00 02	09 0103 09 02
3 DIN	09 0107 00 03	09 0107 09 03
4	09 0111 00 04	09 0111 09 04
5	09 0115 00 05	09 0115 09 05
5 (Stereo)	09 0119 00 05	09 0119 09 05
6 DIN	09 0123 00 06	09 0123 09 06
7	09 0127 00 07	09 0127 09 07
7 DIN	09 0583 00 07	-
8 DIN	09 0173 00 08	09 0173 09 08
12	-	09 0131 00 12
14	-	09 0453 00 14
16	-	09 0507 00 16
19	-	09 0463 00 19
24	-	09 0497 00 24

芯数 Contacts	镀银触点 Silver plated contacts	镀金触点 Gold plated contacts
2	09 0103 80 02	09 0103 89 02
3 DIN	09 0107 80 03	09 0107 89 03
4	09 0111 80 04	09 0111 89 04
5	09 0115 80 05	09 0115 89 05
5 (Stereo)	09 0119 80 05	09 0119 89 05
6 DIN	09 0123 80 06	09 0123 89 06
7	09 0127 80 07	09 0127 89 07
7 DIN	09 0583 80 07	-
8 DIN	09 0173 80 08	09 0173 89 08
12	-	09 0131 80 12
14	-	09 0453 80 14
16	-	09 0507 80 16
19	-	09 0463 80 19
24	-	09 0497 80 24

技术参数 / Specifications

芯数	2	3 DIN	4	5	5 (Stereo)	6 DIN	7	7 DIN	8 DIN	12	14	16	19	24	Number of contacts	
锁紧方式	M16 螺母锁紧 / screw														Connector locking system	
接线方式	焊接 / solder														Termination	
导线截面	max. 0,75 mm ² (max. AWG 20)										max. 0,25 mm ² (max. AWG 24)		0,14 mm ² (26)		Wire gauge	
电缆出口直径	—														Cable outlet	
防护等级	IP67														Degree of protection	
插拔周期	>500 插拔周期 / > 500 mating cycles														Mechanical operation	
最高工作温度	+ 95 °C														Upper temperature	
最低工作温度	- 40 °C														Lower temperature	
额定电压	250 V (32 V)			60 V (32 V)		250 V (32 V)		125 V (32 V)		60 V (32 V)					Rated voltage	
额定冲击电压	1500 V			500 V		1500 V		800 V		500 V					Rated impulse voltage	
污染等级	1 (2) ¹⁾														Pollution degree	
过电压等级	I (II) ¹⁾														Overvoltage categorie	
绝缘等级	III														Material group	
额定电流 (40 °C)	7 A			6 A		5 A		3 A					1 A		Rated current (40 °C)	
触点电阻	≤ 5 mΩ / ≤ 3 mΩ														≤ 3 mΩ	Contact resistance
插针材料	CuZn (黄铜 / brass)														Material of contact	
插针表面材料	Ag (银 / silver) / Au (金 / gold)										Au (金 / gold)					Contact plating
插头主体材料	PBT														Material of contact body	
外壳材料	铸锌镀镍 / zinc diecasting nickel plated														Material of housing	

小型连接器423·723·425系列

Miniature 423 - 723 - 425 Series

M16 IP67

面板安装连接器，针，浸焊，板前固定
Male panel mount connector, dip solder, front fastened

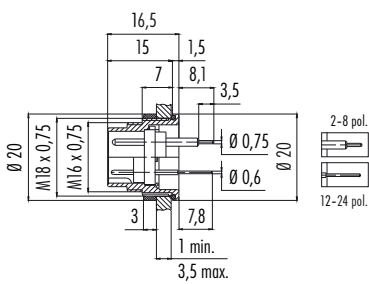
面板安装连接器，针，浸焊，板前固定，带屏蔽
Male panel mount connector, dip solder, front fastened, with shield connection

图例 / Figure

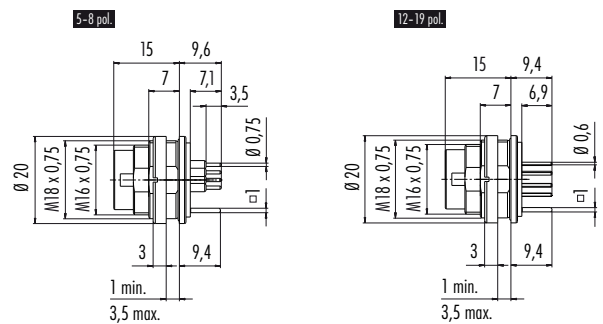


钻孔图请见第259页
Drilling schemes see page 259

尺寸图 / Drawing



CAUS



订货信息 / Order Data

芯数 Contacts	镀银触点 Silver plated contacts	镀金触点 Gold plated contacts
2	09 0103 90 02	09 0103 99 02
3 DIN	09 0107 90 03	09 0107 99 03
4	09 0111 90 04	09 0111 99 04
5	09 0115 90 05	09 0115 99 05
5 (Stereo)	09 0119 90 05	—
6 DIN	09 0123 90 06	09 0123 99 06
7	09 0127 90 07	09 0127 99 07
7 DIN	—	—
8 DIN	09 0173 90 08	09 0173 99 08
12	—	09 0131 90 12
14	—	09 0453 90 14
16	—	09 0507 90 16
19	—	09 0463 90 19
24	—	09 0497 90 24

芯数 Contacts	镀银触点 Silver plated contacts	镀金触点 Gold plated contacts
4	09 0111 290 04	—
5	09 0115 290 05	—
6 DIN	09 0123 290 06	—
8 DIN	09 0173 290 08	—
12	—	09 0131 290 12
19	—	09 0463 290 19

技术参数 / Specifications

芯数	2	3 DIN	4	5	5 (Stereo)	6 DIN	7	7 DIN	8 DIN	12	14	16	19	24	Number of contacts
锁紧方式	M16螺母锁紧 / screw														Connector locking system
接线方式	浸焊 / dip solder														Termination
导线截面	—														Wire gauge
电缆出口直径	—														Cable outlet
防护等级	IP67														Degree of protection
插拔周期	>500插拔周期 / > 500 mating cycles														Mechanical operation
最高工作温度	+ 95 °C														Upper temperature
最低工作温度	- 40 °C														Lower temperature
额定电压	250 V (32 V)		60 V (32 V)		250 V (32 V)		125 V (32 V)		60 V (32 V)						Rated voltage
额定冲击电压	1500 V		500 V		1500 V		800 V		500 V						Rated impulse voltage
污染等级	1 (2) ¹⁾														Pollution degree
过电压等级	I (II) ¹⁾														Overvoltage categorie
绝缘等级	III														Material group
额定电流 (40 °C)	7 A		6 A		5 A		3 A						1 A		Rated current (40 °C)
触点电阻	≤ 5 mΩ / ≤ 3 mΩ														Contact resistance
插针材料	CuZn (黄铜 / brass) / CuSn (青铜 / bronze)														Material of contact
插针表面材料	Ag (银 / silver) / Au (金 / gold)														Contact plating
插头主体材料	PBT														Material of contact body
外壳材料	铸锌镍 / zinc diecasting nickel plated, CuZn (黄铜镍 / brass, nickel plated)														Material of housing

¹⁾当污染等级过电压级别均为 2 时额定电压降至32V¹⁾ In case of pollution degree 2, overvoltage category II rated voltage is reduced to 32 V.

面板安装连接器，针，压接
Male panel mount connector, crimp

面板安装连接器，针，压接，板前固定
Male panel mount connector, crimp, front fastened

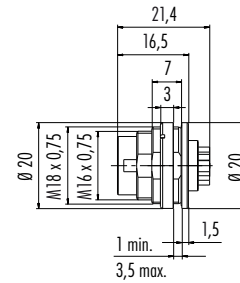
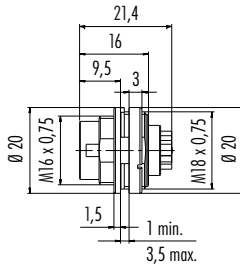
图例 / Figure



压接插针请见第254页
Crimp and ribbon contacts see page 254

压接插针请见第254页
Crimp and ribbon contacts see page 254

尺寸图 / Drawing



订货信息 / Order Data

芯数 Contacts	订货号 Ordering-No.
4	09 0111 700 04
5	09 0115 700 05
6 DIN	09 0123 700 06
7	09 0127 700 07
8 DIN	09 0173 700 08

芯数 Contacts	订货号 Ordering-No.
4	09 0111 780 04
5	09 0115 780 05
6 DIN	09 0123 780 06
7	09 0127 780 07
8 DIN	09 0173 780 08

技术参数 / Specifications

芯数	4	5	6 DIN	7	8 DIN	Number of contacts
锁紧方式	M16 螺母锁紧 / screw					Connector locking system
接线方式	压接 / crimp					Termination
导线截面	4-6 pol. 0,14 mm ² -1,0 mm ² (AWG 26-AWG 18), 7+8 pol. 0,14 mm ² -0,75 mm ² (AWG 26-AWG 20)					Wire gauge
电缆出口直径	—					Cable outlet
防护等级	IP67					Degree of protection
插拔周期	>500插拔周期 / > 500 mating cycles					Mechanical operation
最高工作温度	+ 95 °C					Upper temperature
最低工作温度	- 40 °C					Lower temperature
额定电压	250 V (32 V)			125 V (32 V)	60 V (32 V)	Rated voltage
额定冲击电压	1500 V			800 V	500 V	Rated impulse voltage
污染等级	1 (2) ¹⁾					Pollution degree
过电压等级	I (II) ¹⁾					Overvoltage categorie
绝缘等级	III					Material group
额定电流 (40 °C)	6 A			5 A		Rated current (40 °C)
触点电阻	≤ 5 mΩ					Contact resistance
插针材料	—					Material of contact
插针表面材料	Ag (银 / silver)					Contact plating
插头主体材料	PBT					Material of contact body
外壳材料	CuZn (黄铜镀镍 / brass, nickel plated)					Material of housing

小型连接器423·723·425系列

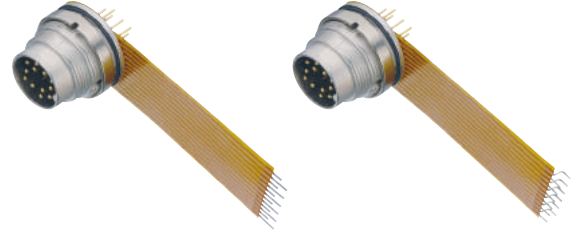
Miniature 423 - 723 - 425 Series

M16 IP67

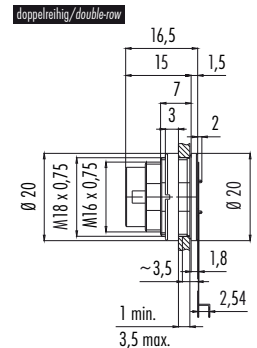
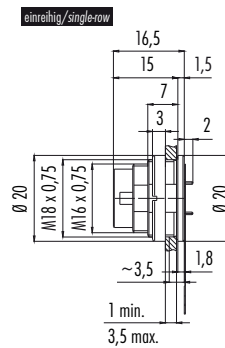
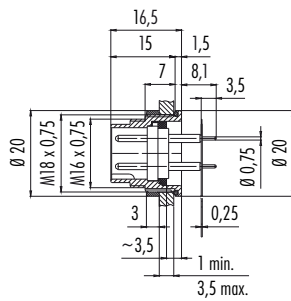
面板安装连接器，针，带印刷线路板，板前固定
Male panel mount connector with flexible PCB, front fastened

面板安装连接器，针，带印刷线路板，板前固定
Male panel mount connector with flexible PCB, front fastened

图例 / Figure



尺寸图 / Drawing



订货信息 / Order Data

芯数 Contacts	镀银触点 Silver plated contacts	镀金触点 Gold plated contacts
7	09 0127 65 07	-
8 DIN	09 0173 65 08	-

芯数 Contacts	单排-镀金触点 Single row - gold plated contacts	双排-镀金触点 Double row - gold plated contacts
12	09 0131 65 12	09 0131 66 12

技术参数 / Specifications

芯数	7	8 DIN	12	Number of contacts
锁紧方式	M16 螺母锁紧 / screw			Connector locking system
接线方式	浸焊 / dip solder			Termination
导线截面	—			Wire gauge
电缆出口直径	—			Cable outlet
防护等级	IP67			Degree of protection
插拔周期	>500插拔周期 / > 500 mating cycles			Mechanical operation
最高工作温度	+ 95 °C			Upper temperature
最低工作温度	- 40 °C			Lower temperature
额定电压	250 V (32 V)	60 V (32 V)		Rated voltage
额定冲击电压	1500 V	500 V		Rated impulse voltage
污染等级	1 (2) ¹⁾			Pollution degree
过电压等级	I (II) ¹⁾			Overvoltage categorie
绝缘等级	III			Material group
额定电流 (40 °C)	5 A		2 A	Rated current (40 °C)
触点电阻	≤ 5 mΩ		≤ 3 mΩ	Contact resistance
插针材料	CuZn (黄铜 / brass)			Material of contact
插针表面材料	Ag (银 / silver)		Au (金 / gold)	Contact plating
插头主体材料	PBT			Material of contact body
外壳材料	铸锌镀镍 / zinc diecasting nickel plated			Material of housing

¹⁾当污染等级过电压级别均为 时额定电压降至32V¹⁾ In case of pollution degree 2, overvoltage category II rated voltage is reduced to 32 V.

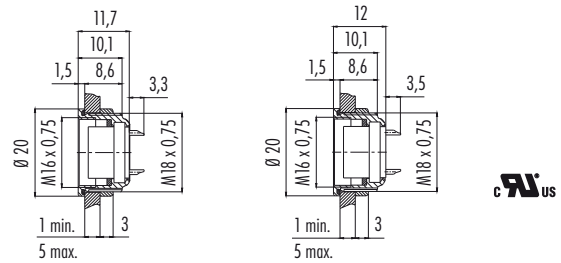
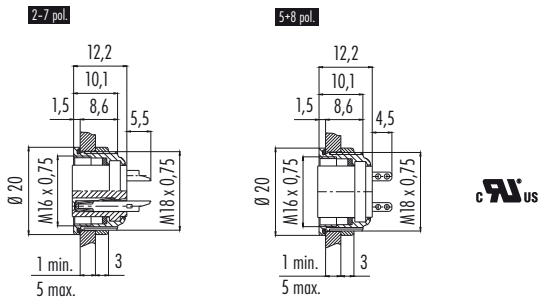
面板安装连接器，孔，焊接
Female panel mount connector, solder

面板安装连接器，孔，焊接
Female panel mount connector, solder

图例 / Figure



尺寸图 / Drawing



订货信息 / Order Data

芯数 Contacts	镀银触点 Silver plated contacts	镀金触点 Gold plated contacts
2	09 0104 00 02	09 0104 09 02
3 DIN	09 0108 00 03	09 0108 09 03
4	09 0112 00 04	09 0112 09 04
5	09 0116 00 05	09 0116 09 05
5 (Stereo)	09 0120 00 05	09 0120 09 05
6 DIN	09 0124 00 06	09 0124 09 06
7	09 0128 00 07	09 0128 09 07
7 DIN	09 0584 00 07	-
8 DIN	09 0174 00 08	09 0174 09 08

芯数 Contacts	镀银触点 Silver plated contacts	镀金触点 Gold plated contacts
12	-	09 0132 00 12
14	-	09 0454 00 14
16	-	09 0508 00 16
19	-	09 0464 00 19
24	-	09 0498 00 24

技术参数 / Specifications

芯数	2	3 DIN	4	5	5 (Stereo)	6 DIN	7	7 DIN	8 DIN	12	14	16	19	24	Number of contacts
锁紧方式	M16 螺母锁紧 / screw														Connector locking system
接线方式	焊接 / solder														Termination
导线截面	max. 0,75 mm ² (max. AWG 20)										max. 0,25 mm ² (max. AWG 24)		0,14 mm ² (26)		Wire gauge
电缆出口直径	—														Cable outlet
防护等级	IP67														Degree of protection
插拔周期	>500插拔周期 / > 500 mating cycles														Mechanical operation
最高工作温度	+ 95 °C														Upper temperature
最低工作温度	- 40 °C														Lower temperature
额定电压	250 V (32 V)			60 V (32 V)		250 V (32 V)		125 V (32 V)		60 V (32 V)					Rated voltage
额定冲击电压	1500 V			500 V		1500 V		800 V		500 V					Rated impulse voltage
污染等级	1 (2) ¹⁾														Pollution degree
过电压等级	I (II) ¹⁾														Overvoltage categorie
绝缘等级	III														Material group
额定电流 (40 °C)	7 A		6 A			5 A			3 A			1 A			Rated current (40 °C)
触点电阻	≤ 5 mΩ / ≤ 3 mΩ														Contact resistance
插针材料	CuSn (青铜 / bronze)														Material of contact
插针表面材料	Ag (银 / silver) / Au (金 / gold)										Au (金 / gold)				Contact plating
插头主体材料	PBT														Material of contact body
外壳材料	铸锌镀镍 / zinc diecasting nickel plated														Material of housing

小型连接器423·723·425系列

Miniature 423 - 723 - 425 Series

M16 IP67

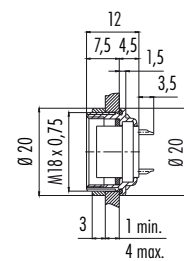
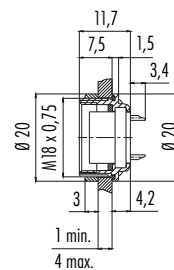
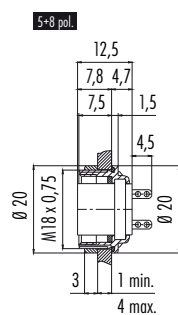
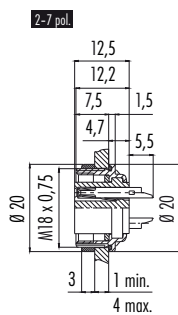
面板安装连接器，孔，焊接，板前固定
Female panel mount connector, solder, front fastened

面板安装连接器，孔，焊接，板前固定
Female panel mount connector, solder, front fastened

图例 / Figure



尺寸图 / Drawing



订货信息 / Order Data

芯数 Contacts	镀银触点 Silver plated contacts	镀金触点 Gold plated contacts
2	09 0104 80 02	09 0104 89 02
3 DIN	09 0108 80 03	09 0108 89 03
4	09 0112 80 04	09 0112 89 04
5	09 0116 80 05	09 0116 89 05
5 (Stereo)	09 0120 80 05	09 0120 89 05
6 DIN	09 0124 80 06	09 0124 89 06
7	09 0128 80 07	09 0128 89 07
7 DIN	—	—
8 DIN	09 0174 80 08	09 0174 89 08

芯数 Contacts	镀银触点 Silver plated contacts	镀金触点 Gold plated contacts
12	—	09 0132 80 12
14	—	09 0454 80 14
16	—	09 0508 80 16
19	—	09 0464 80 19
24	—	09 0498 80 24

技术参数 / Specifications

芯数	2	3 DIN	4	5	5 (Stereo)	6 DIN	7	7 DIN	8 DIN	12	14	16	19	24	Number of contacts
锁紧方式	M16 螺母锁紧 / screw														Connector locking system
接线方式	焊接 / solder														Termination
导线截面	max. 0,75 mm ² (max. AWG 20)										max. 0,25 mm ² (max. AWG 24)		0,14 mm ² (26)		Wire gauge
电缆出口直径	—														Cable outlet
防护等级	IP67														Degree of protection
插拔周期	>500 插拔周期 / > 500 mating cycles														Mechanical operation
最高工作温度	+ 95 °C														Upper temperature
最低工作温度	- 40 °C														Lower temperature
额定电压	250 V (32 V)		60 V (32 V)		250 V (32 V)	125 V (32 V)	60 V (32 V)								Rated voltage
额定冲击电压	1500 V		500 V		1500 V	800 V	500 V								Rated impulse voltage
污染等级	1 (2) ¹⁾														Pollution degree
过电压等级	I (II) ¹⁾														Overvoltage categorie
绝缘等级	III														Material group
额定电流 (40 °C)	7 A		6 A		5 A		3 A		1 A						Rated current (40 °C)
触点电阻	≤ 5 mΩ / ≤ 3 mΩ														Contact resistance
插针材料	CuSn (青铜 / bronze)														Material of contact
插针表面材料	Ag (银 / silver) / Au (金 / gold)										Au (金 / gold)				Contact plating
插头主体材料	PBT														Material of contact body
外壳材料	铸锌镀镍 / zinc diecasting nickel plated														Material of housing

¹⁾当污染等级过电压级别均为 2 时额定电压降至32V¹⁾ In case of pollution degree 2, overvoltage category II rated voltage is reduced to 32 V.

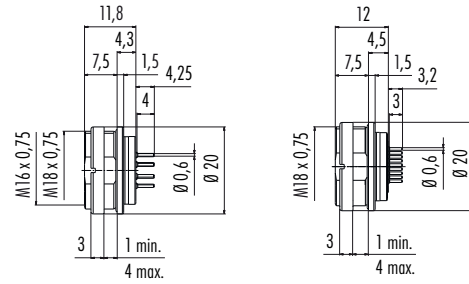
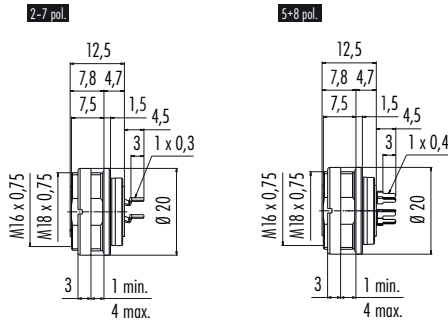
面板安装连接器，孔，浸焊，板前固定
Female panel mount connector, dip solder, front fastened

面板安装连接器，孔，浸焊，板前固定
Female panel mount connector, dip solder, front fastened

图例 / Figure



尺寸图 / Drawing



订货信息 / Order Data

芯数 Contacts	镀银触点 Silver plated contacts	镀金触点 Gold plated contacts
2	09 0104 90 02	09 0104 99 02
3 DIN	09 0108 90 03	09 0108 99 03
4	09 0112 90 04	09 0112 99 04
5	09 0116 90 05	09 0116 99 05
5 (Stereo)	09 0120 90 05	09 0120 99 05
6 DIN	09 0124 90 06	09 0124 99 06
7	09 0128 90 07	09 0128 99 07
7 DIN	-	-
8 DIN	09 0174 90 08	09 0174 99 08

芯数 Contacts	镀银触点 Silver plated contacts	镀金触点 Gold plated contacts
12	-	09 0132 90 12
14	-	09 0454 90 14
16	-	09 0508 90 16
19	-	09 0464 90 19
24	-	09 0498 90 24

技术参数 / Specifications

芯数	2	3 DIN	4	5	5 (Stereo)	6 DIN	7	7 DIN	8 DIN	12	14	16	19	24	Number of contacts
锁紧方式	M16 螺母锁紧 / screw														Connector locking system
接线方式	浸焊 / dip solder														Termination
导线截面	—														Wire gauge
电缆出口直径	—														Cable outlet
防护等级	IP67														Degree of protection
插拔周期	>500 插拔周期 / > 500 mating cycles														Mechanical operation
最高工作温度	+ 95 °C														Upper temperature
最低工作温度	- 40 °C														Lower temperature
额定电压	250 V (32 V)			60 V (32 V)		250 V (32 V)		125 V (32 V)		60 V (32 V)					Rated voltage
额定冲击电压	1500 V			500 V		1500 V		800 V		500 V					Rated impulse voltage
污染等级	1 (2) ¹⁾														Pollution degree
过电压等级	I (II) ¹⁾														Overvoltage categorie
绝缘等级	III														Material group
额定电流 (40 °C)	7 A		6 A			5 A			3 A			1 A			Rated current (40 °C)
触点电阻	≤ 5 mΩ / ≤ 3 mΩ														Contact resistance
插针材料	CuSn (青铜 / bronze)														Material of contact
插针表面材料	Ag (银 / silver) / Au (金 / gold)							Au (金 / gold)							Contact plating
插头主体材料	PBT														Material of contact body
外壳材料	铸锌镀镍 / zinc diecasting nickel plated														Material of housing

面板安装连接器，孔，压接
Female panel mount connector, crimp

面板安装连接器，孔，压接，板前固定
Female panel mount connector, crimp, front fastened

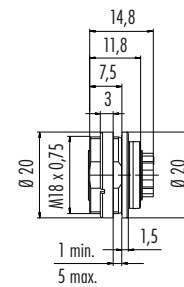
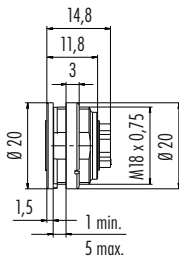
图例 / Figure



压接插针请见第254页
Crimp and ribbon contacts see page 254

压接插针请见第254页
Crimp and ribbon contacts see page 254

尺寸图 / Drawing



订货信息 / Order Data

芯数 Contacts	订货号 Ordering-No.
4	09 0112 700 04
5	09 0116 700 05
6 DIN	09 0124 700 06
7	09 0128 700 07
8 DIN	09 0174 700 08

芯数 Contacts	订货号 Ordering-No.
4	09 0112 780 04
5	09 0116 780 05
6 DIN	09 0124 780 06
7	09 0128 780 07
8 DIN	09 0174 780 08

技术参数 / Specifications

芯数	4	5	6 DIN	7	8 DIN	Number of contacts
锁紧方式	M16 螺母锁紧 / screw					Connector locking system
接线方式	压接 / crimp					Termination
导线截面	4-6 pol. 0,14 mm ² -1,0 mm ² (AWG 26-AWG 18), 7+8 pol. 0,14 mm ² -0,75 mm ² (AWG 26-AWG 20)					Wire gauge
电缆出口直径	—					Cable outlet
防护等级	IP67					Degree of protection
插拔周期	> 500 插拔周期 / > 500 mating cycles					Mechanical operation
最高工作温度	+ 95 °C					Upper temperature
最低工作温度	- 40 °C					Lower temperature
额定电压	250 V (32 V)			125 V (32 V)	60 V (32 V)	Rated voltage
额定冲击电压	1500 V			800 V	500 V	Rated impulse voltage
污染等级	1 (2) ¹⁾					Pollution degree
过电压等级	I (II) ¹⁾					Overvoltage categorie
绝缘等级	III					Material group
额定电流 (40 °C)	6 A			5 A		Rated current (40 °C)
触点电阻	≤ 5 mΩ					Contact resistance
插针材料	—					Material of contact
插针表面材料	Ag(银 / silver)					Contact plating
插头主体材料	PBT					Material of contact body
外壳材料	CuZn(黄铜镀镍 / brass, nickel plated)					Material of housing

¹⁾当污染等级过电压级别均为 2 时额定电压降至32V¹⁾ In case of pollution degree 2, overvoltage category II rated voltage is reduced to 32 V.

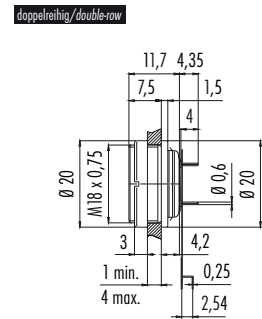
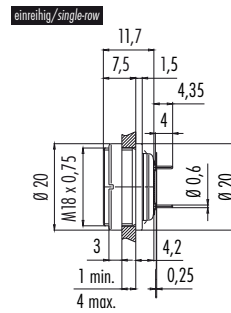
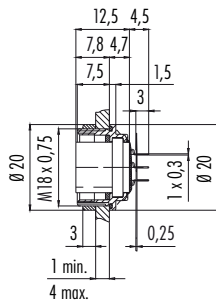
面板安装连接器，孔，带印刷线路板，板前固定
Female panel mount connector with flexible PCB, front fastened

面板安装连接器，孔，带印刷线路板，板前固定
Female panel mount connector with flexible PCB, front fastened

图例 / Figure



尺寸图 / Drawing



订货信息 / Order Data

芯数 Contacts	镀银触点 Silver plated contacts	镀金触点 Gold plated contacts
7	09 0128 65 07	-
8 DIN	09 0174 65 08	-

芯数 Contacts	单排-镀金触点 Single row - gold plated contacts	双排-镀金触点 Double row - gold plated contacts
12	09 0132 65 12	09 0132 66 12

技术参数 / Specifications

芯数	7	8 DIN	12	Number of contacts
锁紧方式	M16螺母锁紧 / screw			Connector locking system
接线方式	浸焊 / dip solder			Termination
导线截面	—			Wire gauge
电缆出口直径	—			Cable outlet
防护等级	IP67			Degree of protection
插拔周期	>500 插拔周期 / > 500 mating cycles			Mechanical operation
最高工作温度	+ 95 °C			Upper temperature
最低工作温度	- 40 °C			Lower temperature
额定电压	250 V (32 V)	60 V (32 V)		Rated voltage
额定冲击电压	1500 V	500 V		Rated impulse voltage
污染等级	1 (2) ¹⁾			Pollution degree
过电压等级	I (II) ¹⁾			Overvoltage categorie
绝缘等级	III			Material group
额定电流 (40 °C)	5 A		3 A	Rated current (40 °C)
触点电阻	≤ 5 mΩ		≤ 3 mΩ	Contact resistance
插针材料	CuSn(青铜 / bronze)			Material of contact
插针表面材料	Ag(银 / silver)		Au(金 / gold)	Contact plating
插头主体材料	PBT			Material of contact body
外壳材料	铸锌镀镍 / zinc diecasting nickel plated			Material of housing

小型连接器423·723·425系列

Miniature 423 · 723 · 425 Series

M16 IP67

插针，针 最小包装50只
Male contact, PU 50 pieces

插针，孔 最小包装50只
Female contact, PU 50 pieces

图例 / Figure



尺寸图 / Drawing



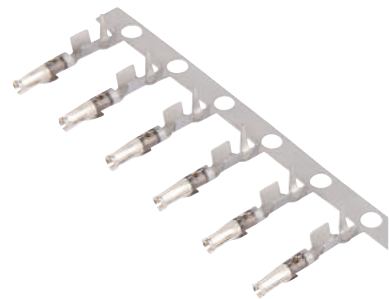
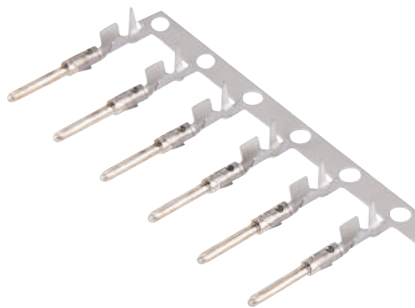
技术参数 / Specifications

导线截面 / mm ²	0,14 mm ² – 0,25 mm ²		0,35 mm ² – 0,5 mm ²		0,75 mm ² – 1,0 mm ²		Wire gauge mm ²
导体截面 / mm ²	0,14 mm ² (AWG 26)	0,25 mm ² (AWG 24)	0,35 mm ² (AWG 22)	0,5 mm ² (AWG 20)	0,75 mm ² (AWG 20-18)	1,0 mm ² (AWG 18-16)	Conductor cross section mm ²
绝缘 - Ø	Ø 1,0 – 2,0 mm				Ø 1,6 – 2,1 mm		Insulation Ø
压接尺寸（标准值）	0,9 – 1,0 mm	0,92 – 1,09 mm	0,93 – 1,1 mm	0,95 – 1,12 mm	1,2 – 1,33 mm	1,3 – 1,45 mm	Crimp measures (standard value)
压接插针取出力遵循 DIN EN 60352-2	24 N	42 N	53 N	73 N	90 N	110 N	Crimp extraction force acc. to DIN EN 60352-2

条式插针（针）
Strip contact (Male)

条式插针（孔）
Strip contact (Female)

图例 / Figure



订货信息 / Order Data

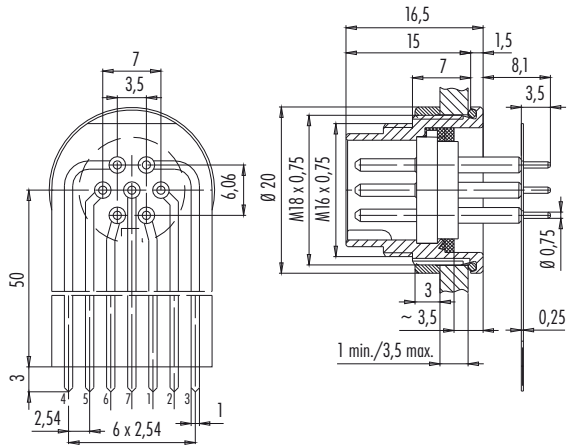
插针 - Ø Pin-Ø	绝缘 - Ø Insulating-Ø	通过截面 Ø Cross section-Ø	包装 Pieces	数量 Pieces	订货号 Ordering-No.
1,5 mm	1,0 – 2,0 mm	0,14 – 0,25 mm ²	单只 / single	50	61 0799 085 00
			条式 / strip	200	65 0799 085 01
			条式 / strip	2000	65 0799 085 02
		0,35 – 0,5 mm ²	单只 / single	50	61 0795 085 00
			条式 / strip	200	65 0795 085 01
			条式 / strip	2000	65 0795 085 02
	1,6 – 2,1 mm	0,75 – 1,0 mm ²	单只 / single	50	61 0796 085 00
			条式 / strip	200	65 0796 085 01
			条式 / strip	2000	65 0796 085 02

订货信息 / Order Data

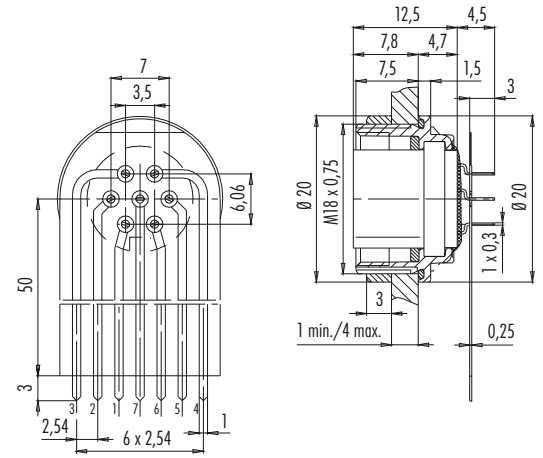
插针 - Ø Pin-Ø	绝缘 - Ø Insulating-Ø	通过截面 Cross section-Ø	包装 Pieces	数量 Pieces	订货号 Ordering-No.
1,5 mm	1,0 – 2,0 mm	0,14 – 0,25 mm ²	单只 / single	50	61 0800 085 00
			条式 / strip	200	65 0800 085 01
			条式 / strip	2000	65 0800 085 02
		0,35 – 0,5 mm ²	单只 / single	50	61 0797 085 00
			条式 / strip	200	65 0797 085 01
			条式 / strip	2000	65 0797 085 02
	1,6 – 2,1 mm	0,75 – 1,0 mm ²	单只 / single	50	61 0798 085 00
			条式 / strip	200	65 0798 085 01
			条式 / strip	2000	65 0798 085 02

尺寸图 Drawings

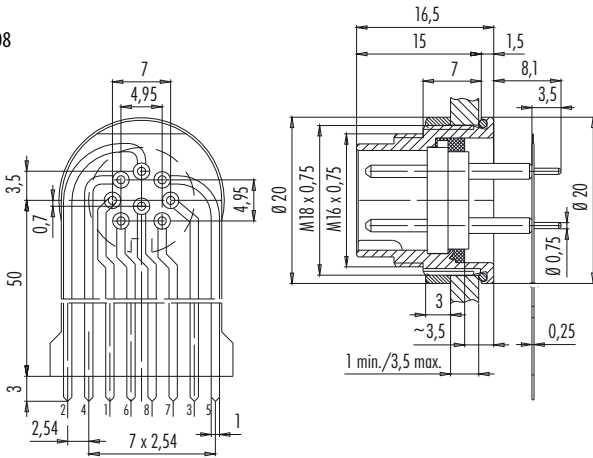
09 0127 65 07



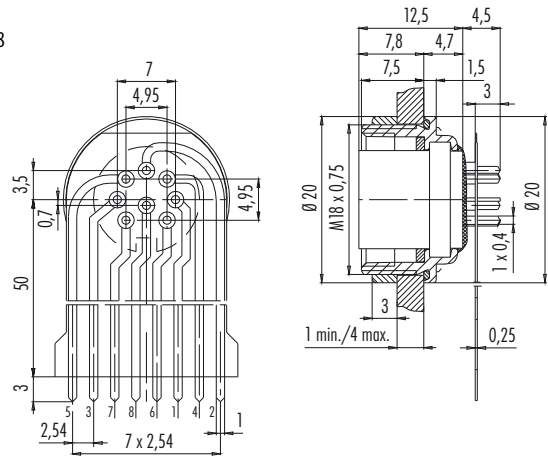
09 0128 65 07



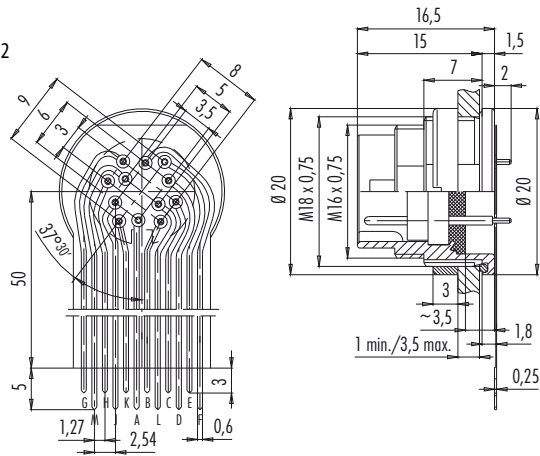
09 0173 65 08



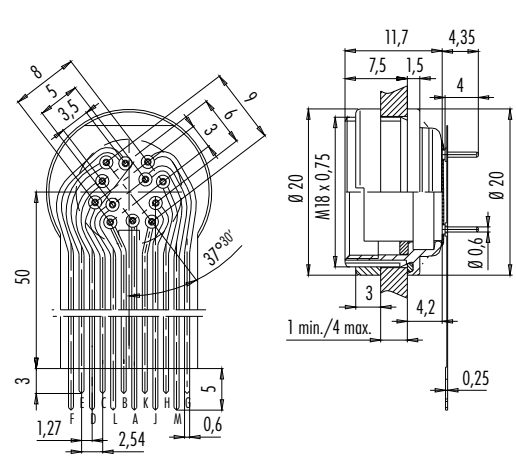
09 0174 65 08



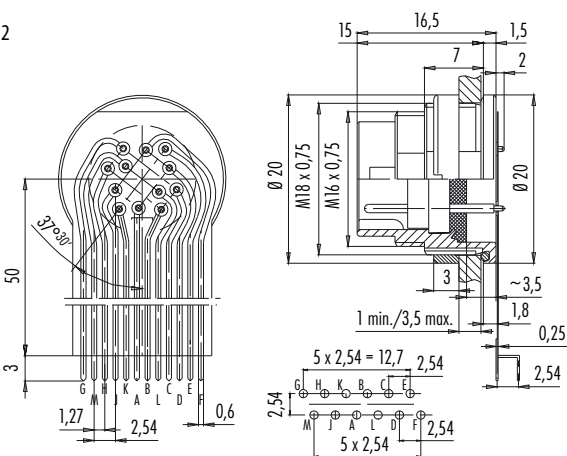
09 0131 62 12



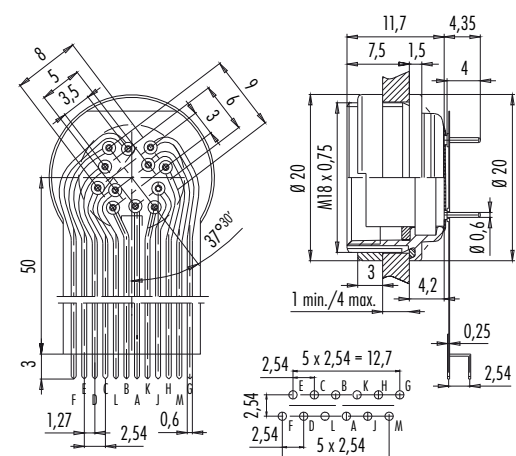
09 0132 65 12



09 0131 68 12



09 0132 66 12



针位图

Contact arrangements

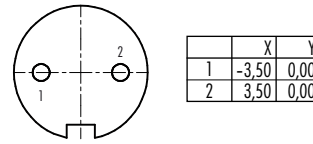
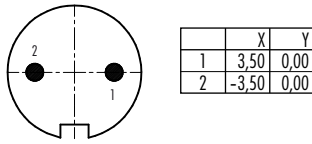
插孔，针（接触面）

Male insert (mating side)

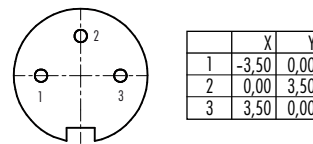
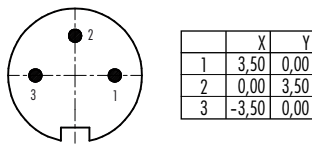
插孔，孔（接触面）

Female insert (mating side)

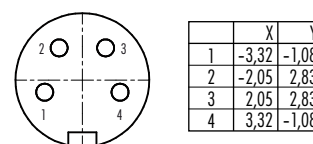
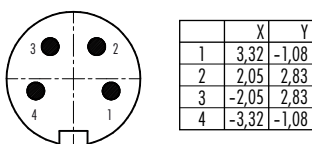
2 芯
2 contacts



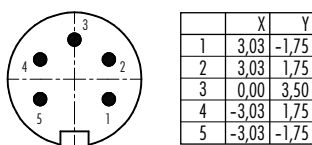
3 芯 (DIN 41524)
3 contacts (DIN 41524)



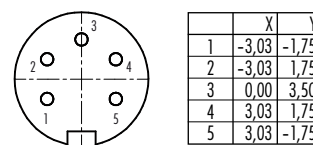
4 芯
4 contacts



5 芯
5 contacts

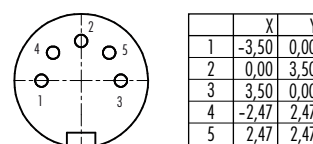
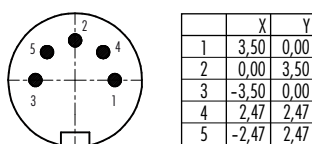


1 白 / white
2 棕 / brown
3 蓝 / blue
4 黑 / black
5 灰 / grey

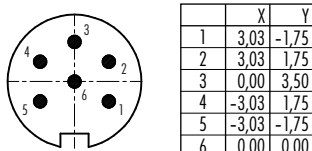


1 白 / white
2 棕 / brown
3 蓝 / blue
4 黑 / black
5 灰 / grey

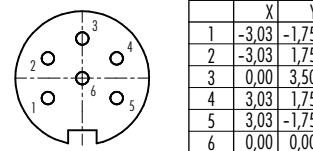
5 芯 Stereo (DIN41524)
5 contacts stereo (DIN41524)



6 芯 (DIN45322)
6 contacts (DIN45322)



1 红 / red
2 黑 / black
3 黄 / yellow
4 蓝 / blue
5 白 / white
6 绿 / green



1 红 / red
2 黑 / black
3 黄 / yellow
4 蓝 / blue
5 白 / white
6 绿 / green

423-723-425

小型连接器423·723·425系列

Miniature 423 · 723 · 425 Series

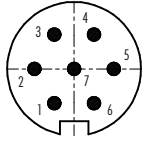
M16 IP67

针位图
Contact arrangements

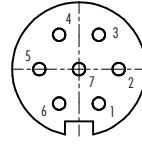
插孔，针（接触面）
Male insert (mating side)

插孔，孔（接触面）
Female insert (mating side)

7 芯
7 contacts

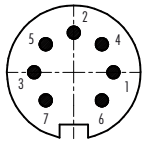


	X	Y
1	-1,75	-3,03
2	-3,50	0,00
3	-1,75	3,03
4	1,75	3,03
5	3,50	0,00
6	1,75	-3,03
7	0,00	0,00

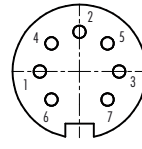


	X	Y
1	1,75	-3,03
2	3,50	0,00
3	1,75	3,03
4	-1,75	3,03
5	-3,50	0,00
6	-1,75	-3,03
7	0,00	0,00

7 芯 (DIN 45329)
7 contacts (DIN 45329)

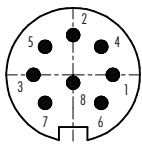


	X	Y
1	3,50	0,00
2	0,00	3,50
3	-3,50	0,00
4	2,47	2,47
5	-2,47	2,47
6	2,47	-2,47
7	-2,47	-2,47



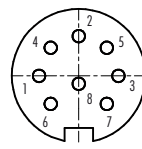
	X	Y
1	-3,50	0,00
2	0,00	3,50
3	3,50	0,00
4	-2,47	2,47
5	2,47	2,47
6	-2,47	-2,47
7	2,47	-2,47

8 芯 (DIN 45326)
8 contacts (DIN 45326)



	X	Y
1	3,50	0,00
2	0,00	3,50
3	-3,50	0,00
4	2,47	2,47
5	-2,47	2,47
6	2,47	-2,47
7	-2,47	-2,47
8	0,00	-0,70

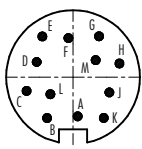
- 1 白 / white
- 2 棕 / brown
- 3 绿 / green
- 4 黄 / yellow
- 5 灰 / grey
- 6 粉 / pink
- 7 蓝 / blue
- 8 红 / red



	X	Y
1	-3,50	0,00
2	0,00	3,50
3	3,50	0,00
4	-2,47	2,47
5	2,47	2,47
6	-2,47	-2,47
7	2,47	-2,47
8	0,00	-0,70

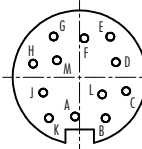
- 1 白 / white
- 2 棕 / brown
- 3 绿 / green
- 4 黄 / yellow
- 5 灰 / grey
- 6 粉 / pink
- 7 蓝 / blue
- 8 红 / red

12 芯
12 contacts



	X	Y
A	0,41	-3,45
B	-2,29	-3,61
C	-4,10	-1,21
D	-3,20	1,34
E	-2,71	3,59
F	-0,41	3,45
G	2,29	3,61
H	4,10	1,21
J	3,20	-1,34
K	2,71	-3,59
L	-2,00	-1,51
M	2,00	1,51

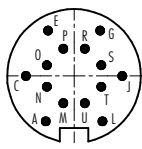
- A 白 / white
- B 棕 / brown
- C 绿 / green
- D 黄 / yellow
- E 灰 / grey
- F 粉 / pink
- G 蓝 / blue
- H 红 / red
- J 黑 / black
- K 紫 / purple
- L 灰 / 粉 / grey / pink
- M 红 / 蓝 / red / blue



	X	Y
A	-0,41	-3,45
B	2,29	-3,61
C	4,10	-1,21
D	3,20	1,34
E	2,71	3,59
F	0,41	3,45
G	-2,29	3,61
H	-4,10	1,21
J	-3,20	-1,34
K	-2,71	-3,59
L	-2,00	-1,51
M	2,00	1,51

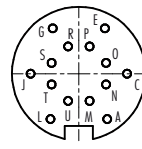
- A 白 / white
- B 棕 / brown
- C 绿 / green
- D 黄 / yellow
- E 灰 / grey
- F 粉 / pink
- G 蓝 / blue
- H 红 / red
- J 黑 / black
- K 紫 / purple
- L 灰 / 粉 / grey / pink
- M 红 / 蓝 / red / blue

14 芯
14 contacts



	X	Y
A	-2,50	-4,00
C	-4,25	0,00
E	-2,30	4,00
G	2,30	4,00
J	4,25	0,00
L	2,50	-4,00
M	-0,95	-2,40
N	-2,40	-0,95
O	-2,40	0,95
P	-0,95	2,40
R	0,95	2,40
S	2,40	0,95
T	2,40	-0,95
U	0,95	-2,40

- A 棕 / brown 0,5 mm²
- C -
- E 黑 / black
- G 粉 / pink
- J 绿 / green
- L 蓝 / blue 0,5 mm²
- M 与A桥接 / bridged with A
- N -
- O 紫 / purple
- P 白 / white
- R 红 / red
- S 灰 / grey
- T 黄 / yellow
- U 与L桥接 / bridged with L



	X	Y
A	2,50	-4,00
C	4,25	0,00
E	2,30	4,00
G	-2,30	4,00
J	-4,25	0,00
L	-2,50	-4,00
M	0,95	-2,40
N	2,40	-0,95
O	2,40	0,95
P	0,95	2,40
R	-0,95	2,40
S	-2,40	0,95
T	-2,40	-0,95
U	-0,95	-2,40

- A 棕 / brown 0,5 mm²
- C -
- E 黑 / black
- G 粉 / pink
- J 绿 / green
- L 蓝 / blue 0,5 mm²
- M 与A桥接 / bridged with A
- N -
- O 紫 / purple
- P 白 / white
- R 红 / red
- S 灰 / grey
- T 黄 / yellow
- U 与L桥接 / bridged with L

小型连接器423·723·425系列

Miniature 423 - 723 - 425 Series

M16 IP67

针位图

Contact arrangements

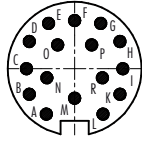
插孔，针（接触面）

Male insert (mating side)

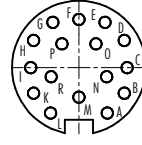
插孔，孔（接触面）

Female insert (mating side)

16 芯
16 contacts

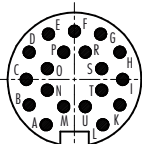


	X	Y
A	-2,50	-4,00
B	-4,00	-2,25
C	-4,25	0,00
D	-4,00	2,40
E	-2,30	4,00
F	0,00	4,25
G	2,30	4,00
H	4,00	2,40
I	4,25	0,00
K	4,00	-2,25
L	2,50	-4,00
M	0,00	-2,60
N	-2,45	-0,80
O	-1,50	2,10
P	1,50	2,10
R	2,40	-0,80

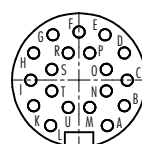


	X	Y
A	2,50	-4,00
B	4,00	-2,25
C	4,25	0,00
D	4,00	2,40
E	2,30	4,00
F	0,00	4,25
G	-2,30	4,00
H	-4,00	2,40
I	-4,25	0,00
K	-4,00	-2,25
L	-2,50	-4,00
M	0,00	-2,60
N	2,45	-0,80
O	1,50	2,10
P	-1,50	2,10
R	-2,40	-0,80

19 芯
19 contacts

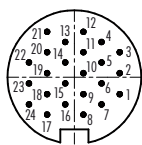


	X	Y
A	-2,50	-4,00
B	-4,00	-2,25
C	-4,25	0,00
D	-4,00	2,40
E	-2,30	4,00
F	0,00	4,25
G	2,30	4,00
H	4,00	2,40
I	4,25	0,00
K	4,00	-2,25
L	2,50	-4,00
M	-0,95	-2,40
N	-2,40	-0,95
O	-2,40	0,95
P	-0,95	2,40
R	0,95	2,40
S	2,40	0,95
T	2,40	-0,95
U	0,95	-2,40

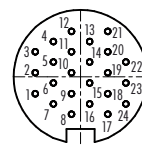


	X	Y
A	2,50	-4,00
B	4,00	-2,25
C	4,25	0,00
D	4,00	2,40
E	2,30	4,00
F	0,00	4,25
G	-2,30	4,00
H	-4,00	2,40
I	-4,25	0,00
K	-4,00	-2,25
L	-2,50	-4,00
M	0,95	-2,40
N	2,40	-0,95
O	2,40	0,95
P	0,95	2,40
R	-0,95	2,40
S	-2,40	0,95
T	-2,40	-0,95
U	-0,95	-2,40

24 芯
24 contacts



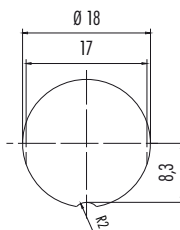
	X	Y
1	4,00	-1,50
2	4,00	0,35
3	4,00	2,20
4	2,40	3,10
5	2,40	1,30
6	2,40	-0,55
7	2,40	-2,40
8	0,80	-3,30
9	0,80	-1,50
10	0,80	0,35
11	0,80	2,20
12	0,80	4,00
13	-0,80	3,10
14	-0,80	1,30
15	-0,80	-0,55
16	-0,80	-2,40
17	-2,40	-3,30
18	-2,40	-1,50
19	-2,40	0,35
20	-2,40	2,20
21	-2,40	4,00
22	-4,00	1,30
23	-4,00	-0,55
24	-4,00	-2,40



	X	Y
1	-4,00	-1,50
2	-4,00	0,35
3	-4,00	2,20
4	-2,40	3,10
5	-2,40	1,30
6	-2,40	-0,55
7	-2,40	-2,40
8	-0,80	-3,30
9	-0,80	-1,50
10	-0,80	0,35
11	-0,80	2,20
12	-0,80	4,00
13	0,80	3,10
14	0,80	1,30
15	0,80	-0,55
16	0,80	-2,40
17	2,40	-3,30
18	2,40	-1,50
19	2,40	0,35
20	2,40	2,20
21	2,40	4,00
22	4,00	1,30
23	4,00	-0,55
24	4,00	-2,40

安装截面

Panel cut out



推荐钻孔直径
Recommended drill holes

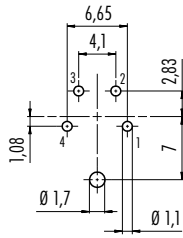
2 - 8 pol 1,1 mm

12 - 24 pol 0,8 mm

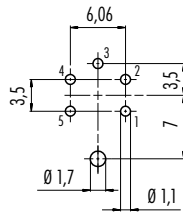
插针钻孔分布图 (PCB), 针, 屏蔽系列
Drilling schemes male insert (PCB), shield pin version

插针钻孔分布图 (PCB), 孔, 屏蔽系列
Drilling schemes female insert (PCB), shield pin version

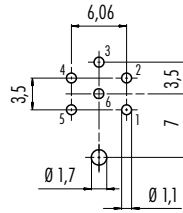
4 芯
4 contacts



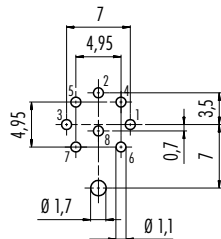
5 芯
5 contacts



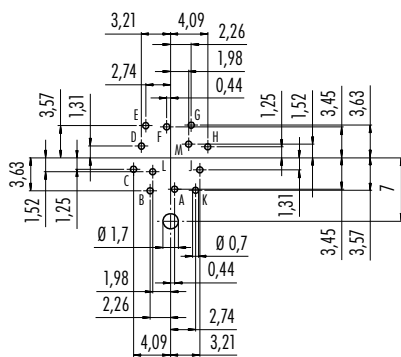
6 芯 (DIN 45322)
6 contacts (DIN 45322)



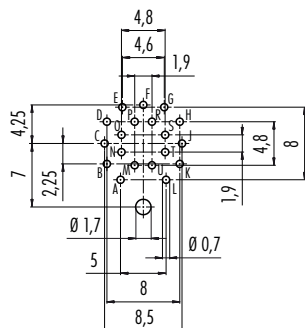
8 芯 (DIN 45326)
8 contacts (DIN 45326)



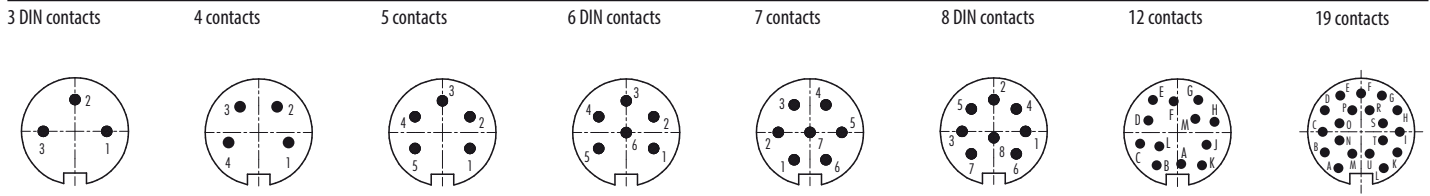
12 芯
12 contacts



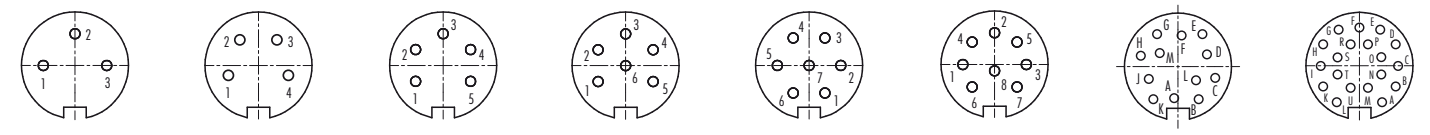
19 芯
19 contacts



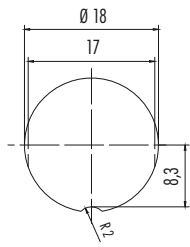
Contact arrangements male insert (mating side)



Contact arrangements female insert (mating side)



Panel cut out



Recommended drill holes
 2 – 8 contacts 1,1 mm
 12 – 24 contacts 0,8 mm

Colour of wires of moulded cable connectors

5 contacts	6 contacts	8 contacts	12 contacts
1 white	1 red	1 white	A white
2 brown	2 black	2 brown	B brown
3 blue	3 yellow	3 green	C green
4 black	4 blue	4 yellow	D yellow
5 grey	5 white	5 grey	E grey
	6 green	6 pink	F pink
		7 blue	G blue
		8 red	H red

Colour of wires of panel mount connectors

4–8 contacts
1 white
2 brown
3 green
4 yellow
5 grey
6 pink
7 blue
8 red

Description

Drawing

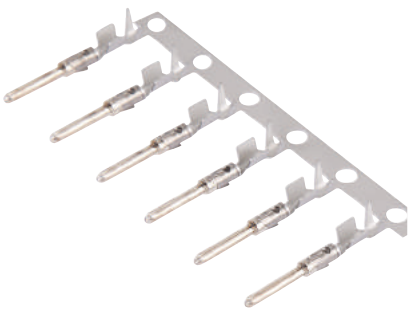
Male contact, PU 50 pieces



Female contact, PU 50 pieces



Strip contact (Male)



Contact-Ø	Insulating-Ø	Wire gauge	PU	Pieces	Ordering-No.
1,5 mm	1,0–2,0 mm	0,14–0,25 mm ²	Single	50	61 0799 085 00
			Strip	200	65 0799 085 01
			Strip	2000	65 0799 085 02
	1,6–2,1 mm	0,35–0,5 mm ²	Single	50	61 0795 085 00
			Strip	200	65 0795 085 01
			Strip	2000	65 0795 085 02

Strip contact (Female)

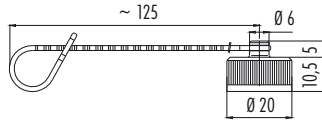


1,5 mm	1,0–2,0 mm	0,14–0,25 mm ²	Single	50	61 0800 085 00
			Strip	200	65 0800 085 01
			Strip	2000	65 0800 085 02
	1,6–2,1 mm	0,35–0,5 mm ²	Single	50	61 0797 085 00
			Strip	200	65 0797 085 01
			Strip	2000	65 0797 085 02

Description	Drawing	Ordering-No.
-------------	---------	--------------

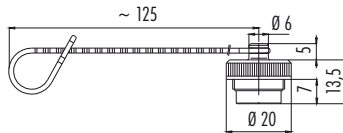
Protection cap for male cable connectors

08 1077 000 000



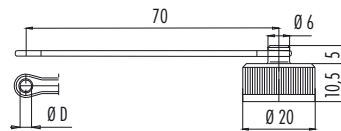
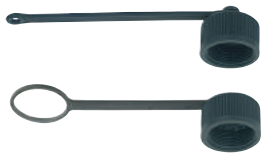
Protection cap for female cable connectors

08 1078 000 000



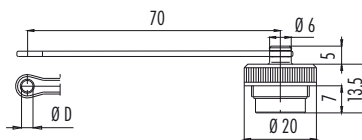
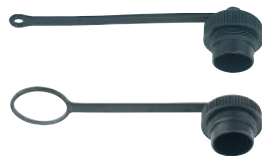
Protection cap for male panel mount connectors

Hole-Ø D	Ordering-No.
3 mm	08 1079 000 000
18 mm	08 2670 000 000



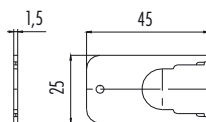
Protection cap for female panel mount connectors

3 mm	08 1080 000 000
18 mm	08 2671 000 000



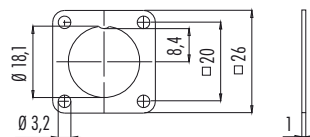
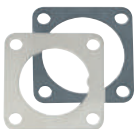
Mounting spanner for panel mount connectors

Ordering-No.
07 0010 001



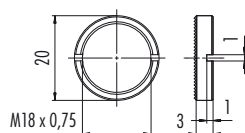
Rectangular flange for panel mount connectors

08 0045 000 001



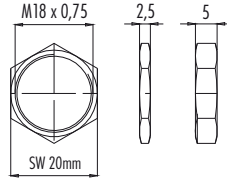
Ring nut for fixing thread

01 0010 001 with knurled screw



Description	Drawing	Thickness	Ordering-No.
-------------	---------	-----------	--------------

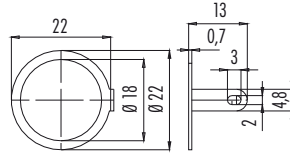
Hexagonal nut



2,5 mm 01 0146 001
5 mm 01 5006 001

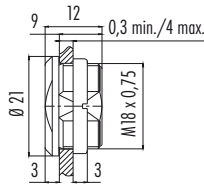
Ordering-No.

Solder eye ring



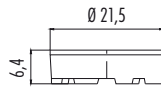
04 0186 009

Blind plug



08 2668 000 001

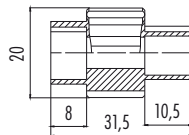
Distance sleeve for panel mount connectors, dip-solder version



PCB thickness: max. 1,5 mm

02 0007 000

Mounting spanner for straight, shieldable cable connectors



02 1785 000

Crimping tool for single contacts

Crimping tool for strip contacts

66 0001 014 100

67 0001 014 100



Extraction tool for crimp contacts

07 0088 000



