

Sonder Sensor



M18 Automatisierungstechnik - Sonder M18 Automation Technology - Special

Kabelsteckverbinder

- Schraubverriegelung M18
- Schutzart IP67 ¹⁾
- Einfache Montage
- Schraubklemmanschluss
- Winkelsteckverbinder in 4 Positionen einstellbar

Flanschsteckverbinder

- Schraubverriegelung M18
- Schutzart IP67 ¹⁾
- Einfache Montage
- Löt-/Tauchlötanschluss
- Verschiedene Bauformen

Cable Connectors

- Screw locking M18
- Degree of protection IP67 ¹⁾
- Easy assembly
- Screw clamp connection
- Angled connector adjustable in 4 positions

Panel Mount Connectors

- Screw locking M18
- Degree of protection IP67 ¹⁾
- Easy assembly
- Solder/dip solder termination
- Various variants

¹⁾ Erläuterung der Schutzarten siehe technische Informationen. / ¹⁾ Explanation of protection standards see technical information.

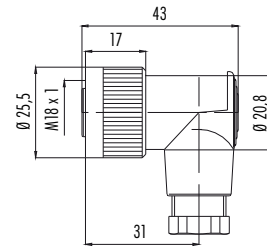
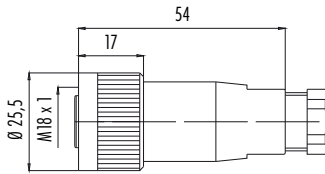
电缆连接器，孔
Female cable connector

电缆连接器，孔
Female angled connector

图例 / Figure



尺寸图 / Drawing



订货信息 / Order Data

芯数 Contacts	电缆出口直径 Cable outlet	订货号 Ordering-No.
4	6,5–8 mm	09 0440 10 04
		09 0440 010 04
	10–12 mm	99 0440 16 04
		99 0440 016 04

芯数 Contacts	电缆出口直径 Cable outlet	订货号 Ordering-No.
4	6,5–8 mm	09 0440 00 04
		09 0440 000 04

技术参数 / Specifications

芯数	4	Number of contacts
锁紧方式	M18 螺母锁紧 / screw	Connector locking system
接线方式	螺钉接线 / screw	Termination
导线截面	max. 1,5 mm ² (max. AWG 16)	Wire gauge
电缆出口直径	6,5–8 mm, 10–12 mm	Cable outlet
防护等级	IP67	Degree of protection
插拔周期	>50插拔周期 / > 50 mating cycles	Mechanical operation
最高工作温度	+ 85 °C	Upper temperature
最低工作温度	- 25 °C	Lower temperature
额定电压	250 V	Rated voltage
额定冲击电压	4000 V	Rated impulse voltage
污染等级	3	Pollution degree
过电压等级	III	Overvoltage categorie
绝缘等级	III	Material group
额定电流 (40 °C)	16 A/cUR 5 A	Rated current (40 °C)
触点电阻	≤ 8 mΩ	Contact resistance
插针材料	CuZn (黄铜 / brass)	Material of contact
插针表面材料	CuSnZn (锡锌铜 / optalloy)	Contact plating
插头主体材料	PA/PBT	Material of contact body
外壳材料	PA/PBT	Material of housing

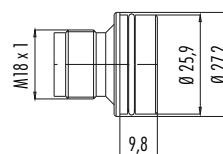
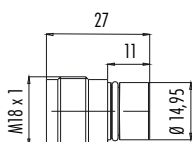
面板安装连接器，针，焊接，透明
Male receptacle, solder, transparent

面板安装连接器，针，焊接，透明
Male adapter, solder, transparent

图例 / Figure



尺寸图 / Drawing



订货信息 / Order Data

芯数 Contacts	不带密封圈 Without sealing hole	带密封圈 With sealing hole
4	09 0441 00 04	09 0441 50 04

芯数 Contacts	不带密封圈 Without sealing hole	带密封圈 With sealing hole
4	09 0443 00 04	09 0443 50 04

技术参数 / Specifications

芯数	4	Number of contacts
锁紧方式	M18 螺母锁紧 / screw	Connector locking system
接线方式	焊接 / solder	Termination
导线截面	max. 1,5 mm ² (max. AWG 16)	Wire gauge
电缆出口直径	—	Cable outlet
防护等级	IP67	Degree of protection
插拔周期	>50插拔周期 / > 50 mating cycles	Mechanical operation
最高工作温度	+ 85 °C	Upper temperature
最低工作温度	- 25 °C	Lower temperature
额定电压	250 V	Rated voltage
额定冲击电压	4000 V	Rated impulse voltage
污染等级	3	Pollution degree
过电压等级	III	Overvoltage categorie
绝缘等级	II	Material group
额定电流 (40 °C)	16 A	Rated current (40 °C)
触点电阻	≤ 8 mΩ	Contact resistance
插针材料	CuZn (黄铜 / brass)	Material of contact
插针表面材料	CuSnZn (锡锌铜 / optalloy)	Contact plating
插头主体材料	PA	Material of contact body
外壳材料	PA	Material of housing

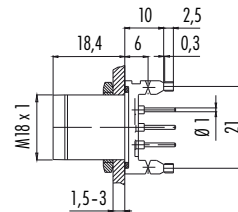
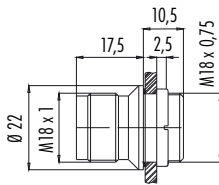
面板安装连接器，针，焊接，带固定螺纹
Male panel mount connector, solder, with fixing thread

面板安装连接器，针，板前固定，浸焊
Male panel mount connector, front fastened, dip solder

图例 / Figure



尺寸图 / Drawing



订货信息 / Order Data

芯数 Contacts	订货号 Ordering-No.
4	09 0441 81 04
	09 0441 081 04



芯数 Contacts	订货号 Ordering-No.
4	09 0441 90 04
	09 0441 090 04

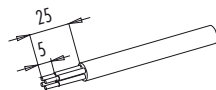


技术参数 / Specifications

芯数	4	Number of contacts
锁紧方式	M18 螺母锁紧 / screw	Connector locking system
接线方式	焊接，浸焊 / solder, dip solder	Termination
导线截面	max. 1,5 mm ² (max. AWG 16)	Wire gauge
电缆出口直径	—	Cable outlet
防护等级	IP67	Degree of protection
插拔周期	>50插拔周期 / > 50 mating cycles	Mechanical operation
最高工作温度	+ 85 °C	Upper temperature
最低工作温度	- 25 °C	Lower temperature
额定电压	250 V	Rated voltage
额定冲击电压	4000 V	Rated impulse voltage
污染等级	3	Pollution degree
过电压等级	III	Overvoltage categorie
绝缘等级	III	Material group
额定电流 (40 °C)	16 A, 5 A tauchlöten/dip solder, cUR 5 A	Rated current (40 °C)
触点电阻	≤ 8 mΩ	Contact resistance
插针材料	CuZn (黄铜 / brass)	Material of contact
插针表面材料	CuSnZn (锡锌铜 / optalloy) Sn (锡 / tin)	Contact plating
插头主体材料	PA/PBT	Material of contact body
外壳材料	PA/PBT	Material of housing

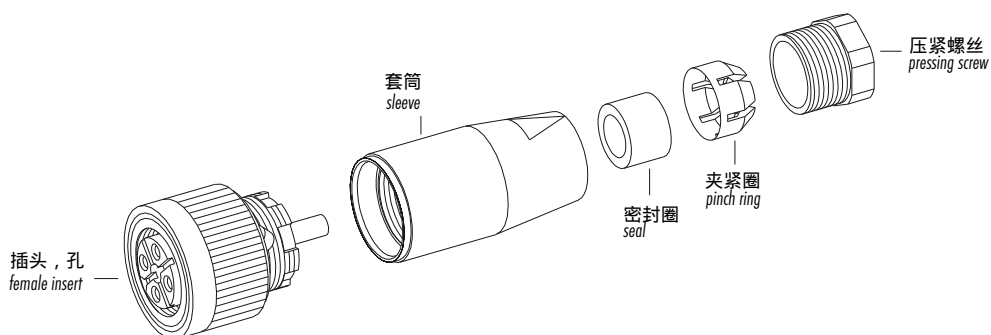
安装指南
Assembly instruction

裸线长度
Strip measures

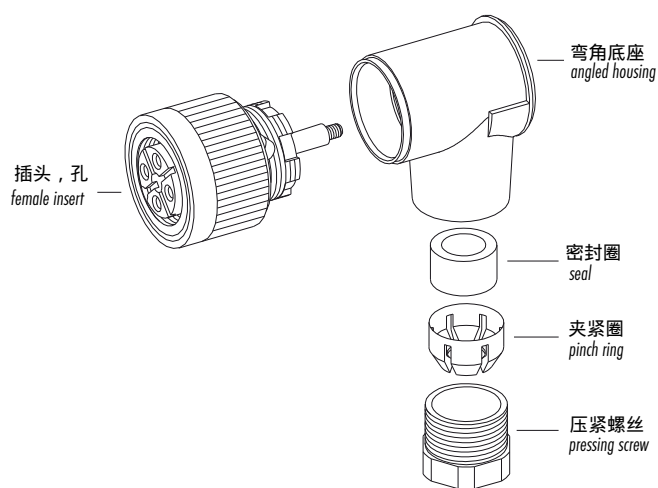


零件图样
Component part drawing

电缆连接器，孔
Female cable connector



电缆连接器，针
Female angled connector



针位图
Contact arrangements

插孔，针（接触面）
Male insert (mating side)

插孔，孔（接触面）
Female insert (mating side)

4 芯
4 contacts

