

PART NO.
ER2450T

HIGH PERFORMANCE LITHIUM CELL
Lithium Thionyl Chloride (Li/SOCl₂)

CROSS REFERENCE
TLH-2450

ELECTRICAL CHARACTERISTICS

(typical values for a cell in storage for one year or less at 25°C)

Nominal voltage:	3.6V
Nominal capacity:	550mAh
(discharge at 1mA, +25°C and 2.0V cut off)	
Maximum recommended continuous current:	5mA
(to obtain 50% of capacity at 25°C, 2.0V cut-off)	
Maximum pulse current capacity:	20mA
(pulse capacity varies with frequency, duration, temperature, cell history of usage or storage and acceptable minimum voltage)	
Operating temperature range:	-60°C / +125°C
Typical weight:	9g
Recommended storage temperature (max.):	30°C

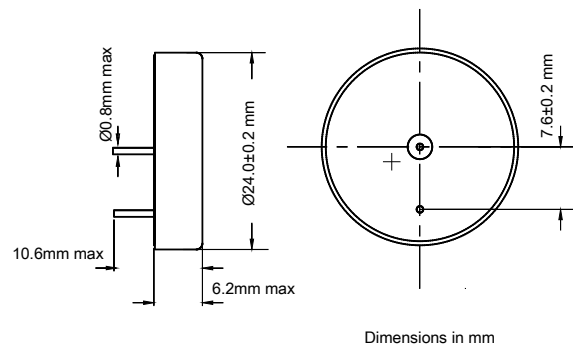
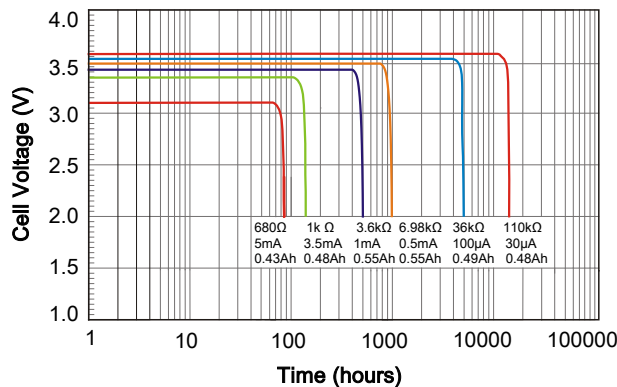
Features

- Stainless steel container
- Hermetic glass-to-metal sealing
- Extreme long operation
- Very low self discharge rate
- Wide range operation temperature
- Reliable high working voltage
- UL File No. MH45994

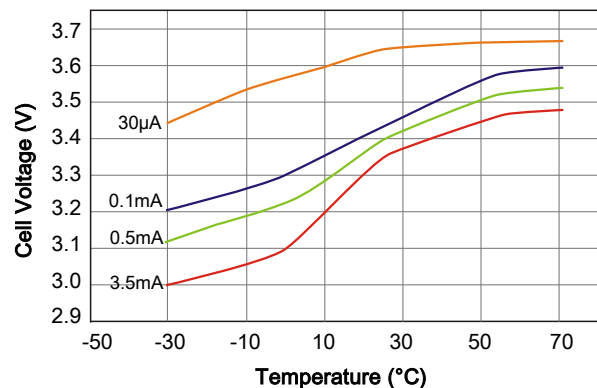
Applications

- TPMS
- Memory back-up
- FR transmitters
- AMR / Utility metering
- Alarm / Security systems

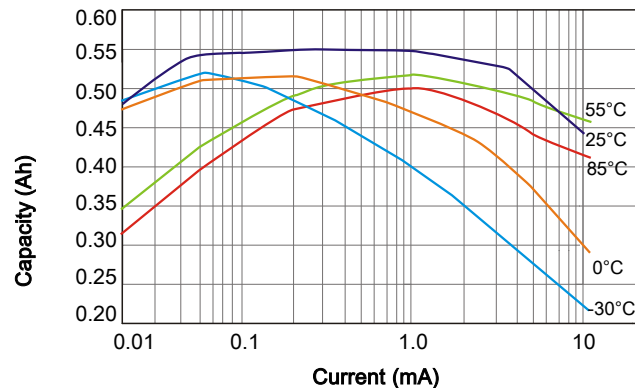
Typical Discharge Profile at 25°C



Voltage versus Current and Temperature



Capacity versus Current and Temperature



Product specifications are subject to change without prior notice. Any presentation in this data sheet concerning performance is for information purpose only and not warranties, either expressed or implied, of future performance.