



The innovative system for interchangeable  
Philips Fortimo Twistable LED Modules

LED



Your Connection to Light

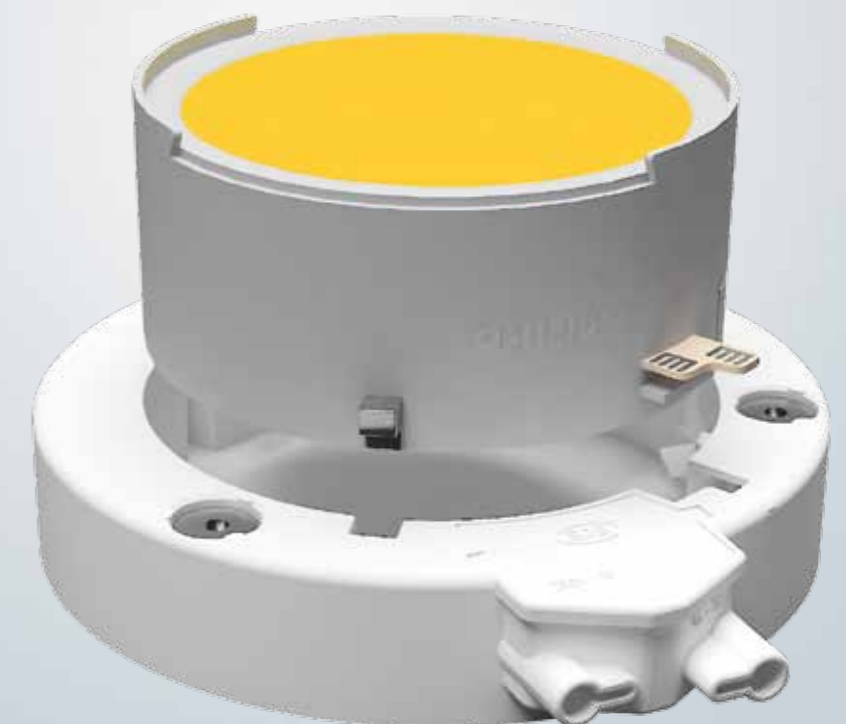


See BJB in a new light.

## Lampholders for LED Module Fortimo Twistable from Philips

### Prerequisites...

- Innovative bayonet connection, easy insertion and rotation of LED Module
- The Module snaps in with an audible "click"
- Rapid wiring via push wire terminals
- The lampholder contact pressure ensures an efficient transfer of heat between the LED Module and the heat sink





PUSH, TWIST, ILLUMINATE!

## THE TWIST WITH LED

LED and general lighting. With this system it is quite straightforward.

Without doubt, LED technology has made enormous progress in the last few years. It is no surprise, therefore, that the increasing number of applications include developments in the field of general lighting. Light fitting manufacturers do not only expect fully developed solutions in terms of lighting technology, they also want components which are easy to handle.

With Fortimo Twistable LED Modules from Philips and a new base, which was developed in cooperation with BJB, these requirements have now been met. As a supplier of components to the lighting industry, we want to contribute towards the development of systems which offer a high level of quality and convenience to both manufacturers and end users.

More flexibility, greater efficiency, less effort. A lampholder with potential for the future.

The substantial spread of LED technology in the field of general lighting means that standards are required. The module shown here represents an important step in this direction.

**Key benefit:** With this new base, Fortimo Twistable LED Modules can be replaced just as easily as any conventional light source.

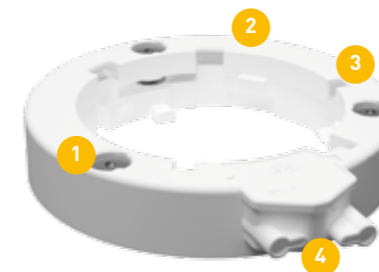
The new lampholder is simply attached with three screws to a heat sink on the light fitting. Wiring is by means of tried and tested push wire terminals. The light source snaps in with a distinct "click". In addition, the locking mechanism permanently ensures good heat dissipation from the light source to the heat sink.

Where can this system be used?

Due to its design, this combination of lampholder and light source is especially suitable for compact applications such as downlights.

Whether in offices and administrative premises, public buildings such as cinemas, theatres, museums and galleries, hotels, restaurants or in the retail trade: the Fortimo Twistable LED Module with the new lamp base can be used everywhere.

Our proposal: We will gladly assist you with your planning and provide you with samples and further information so that you can use our components to develop future lighting technology applications.



1. M3 screws
2. Plain surface for precise positioning of the LED Module
3. Apertures for bayonet fixing Lugs
4. Mains voltage push wire connection, 0.5 mm<sup>2</sup> - 1.5 mm<sup>2</sup>, tinned

# One lampholder - three lamps - a thousand possibilities


Offices and administrative buildings, exhibition areas, cinemas, theatres, hotels, restaurants, showrooms, pubs, reception areas and entrance lobbies...




## LED - Lighting and connection technology

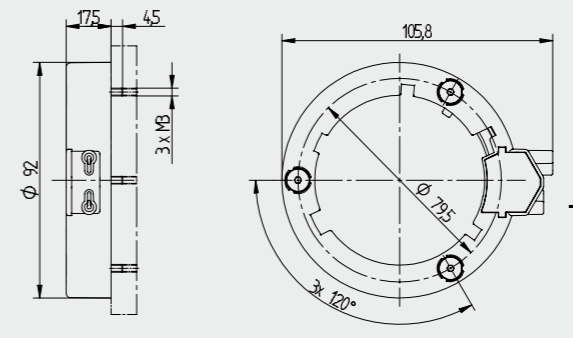
### Lampholder for Philips Fortimo Twistable Modules

**28.107**




	pkg. wt. part no. 100 8 g <b>28.107.1001.51</b>	
--	--	--



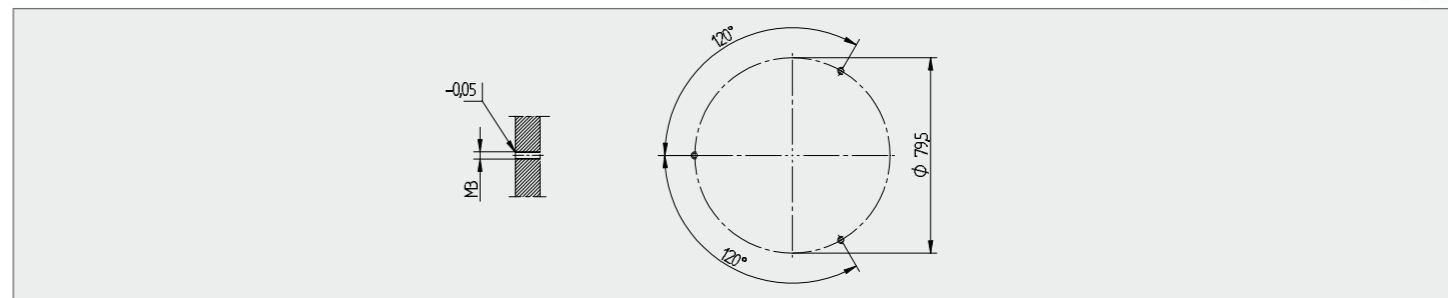


Screw fixing  
 Material: Outer ring: PC  
 Inner ring: PPS


- Lampholder is delivered assembled including M3 screws for fixing
- The M3 fixing holes should be straight sided without countersink




1 A	CAD
250 V	




### Symbols



Single push wire terminal



For single core cable within cross sectional range stated



For tinned wire ends within the cross sectional range stated

1 A
250 V

Rating

CAD
-----

CAD data available

TWIST 1100lm 827	
Luminous flux	1040 lm
Colour temperature	2700 K
Efficacy	52 lm/W
Colour consistency	5/6 SDCM
Colour rendering index	80
Input voltage	220 - 240 V
PF	>0.9
THD	40 %
Frequency	47 - 63 Hz
Dimming range	10 - 100 %
Wattage	20 W
Lifetime	25.000 h @ Tcase 65 °C 50.000 h @ Tcase 55 °C

TWIST 1100lm 830	
Luminous flux	1100 lm
Colour temperature	3000 K
Efficacy	55 lm/W
Colour consistency	5/6 SDCM
Colour rendering index	80
Input voltage	220 - 240 V
PF	>0.9
THD	40 %
Frequency	47 - 63 Hz
Dimming range	10 - 100 %
Wattage	20 W
Lifetime	25.000 h @ Tcase 65 °C 50.000 h @ Tcase 55 °C

TWIST 1100lm 840	
Luminous flux	1100 lm
Colour temperature	4000 K
Efficacy	62 lm/W
Colour consistency	5/6 SDCM
Colour rendering index	80
Input voltage	220 - 240 V
PF	>0.9
THD	40 %
Frequency	47 - 63 Hz
Dimming range	10 - 100 %
Wattage	18 W
Lifetime	25.000 h @ Tcase 65 °C 50.000 h @ Tcase 55 °C

BJB GmbH & Co. KG · Werler Str. 1 · 59755 Arnsberg · Germany  
Telephone +49 2932 982-0 · Fax +49 2932 982-8201  
info@bjb.com · www.bjb.com



Your Connection to Light