



NEW Dual USB CHARGERS & PANEL

Rapidly charge two mobile devices on the go

4.8A Dual USB Chargers

Intelligent device recognition allows rapid charging of phones, tablets, or other mobile devices.

- Adjusts charge to the speed required by specific devices
- Internal filtering for reduced electronic interference
- Over temperature protection
- Protective dust cap keeps debris and moisture out
- Conformal coated circuit board for the harsh marine environment
- 1039 mounts in an existing contura switch aperture
- 1045 mounts in a common 1-1/8" hole



1039



1045

BelowDeck™ Panel

Compact easy to install DC charging center. The integrated circuit breaker provides circuit protection and offers the ability to shut off the panel, preventing parasitic draw.

- Includes an Illuminated Carling Technologies™ 15A circuit breaker, 12V Socket, and a 2.1A Dual USB Charger
- Polycarbonate/ABS panel face is UV-stabilized, flame retardant, and will not corrode
- Simple two-wire installation
- Pre-wired harness
- Provides optional charge required by device

BelowDeck™ Panel



4353

Related Products



12V DC Plug



12V DC Sockets



2.1A Dual USB Chargers



12V DC Socket and Dual USB Charger



USB Extension

DUAL USB CHARGERS & PANEL



4.8A Dual USB Chargers

Specifications	1039/1045
Maximum Output Current	4.8A DC (total)
Output Voltage	5V DC \pm 5%
Port Configuration	Intelligent Device Recognition
Parasitic Current Draw	1mA
Thermal Overload Protection	Yes
Short Circuit Protection	Yes
Reverse Polarity Protection	Yes
USB	2.0, Type A
Cutout Dimensions in (mm)	1039 - 1.45" \times 0.83" (36.83 mm \times 21.08 mm) 1045 - 1-1/8" (29 mm) diameter hole

Regulatory



RoHS, CE Certified

PN	Description	Input Voltage	Input Voltage Range
1039	4.8A Switch Mount Charger	12V /24V DC	9V-32V DC
1045	4.8A Socket Mount Charger	12V /24V DC	9V-32V DC

BelowDeck™ Panel

2.1A Dual USB Charger (included)

Specifications	1016
Maximum Output Current	2.1A DC (total)
Output Voltage	5V DC \pm 5%
Port Configuration	D+ = 2.0V D- =2.8V
Parasitic Current Draw	15mA
Thermal Overload Protection	Yes
Short Circuit Protection	Yes
Reverse Polarity Protection	Yes
USB	2.0, Type A

Regulatory



RoHS, CE Certified

12V Socket (included)

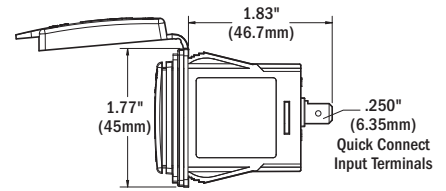
Specifications	1011
Voltage Nominal	12V DC
Amperage Max. Operating	15A DC (socket)

PN	Description	Input Voltage
4353	BelowDeck™ Panel	12V DC

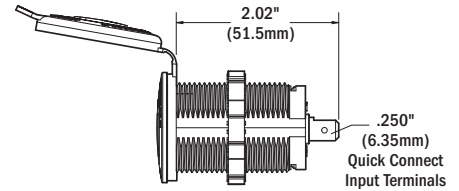
4.8A Dual USB Chargers



1039



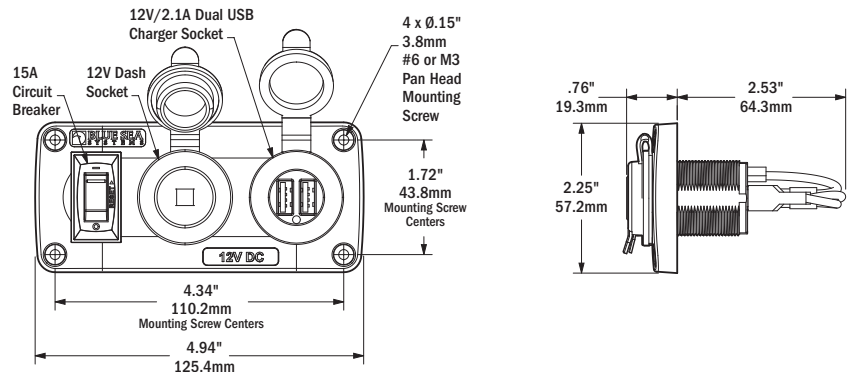
1045



BelowDeck™ Panel



4353



425 Sequoia Drive
Bellingham, WA 98226 USA
p 360.738.8230
f 360.734.4195
conductor@blueseas.com
www.blueseas.com

Specifications subject to change.
See blueseas.com for current information.
980012400 Rev.006