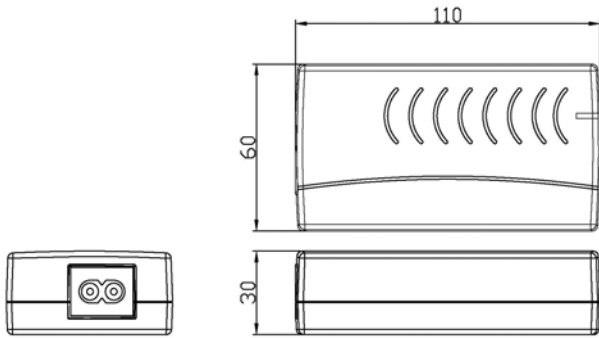




<http://www.bobbintron.com>

# BOBBINTRON ELECTRICAL CORPORATION

AP48XX – 1C8 Series 48W Desktop Power Supply



## Electrical specifications :

Input:

Voltage..... 100-240VAC  
Current.....1.2A rms Max  
Frequency.....50-60 Hz

Output:

Voltage (Vo)..... (see table)  
Tolerance.....+/- 5%  
Power (Po).....48W

Hold up time.....8mS min at Full Load, 115VAC

Over voltage protection.....Built-in

Short circuit protection.....Hiccup Mode, Auto Recovery

Efficiency.....70% min, at Full Load and 115VAC

Ripple/Noise (Vp-p).....2% (20M Hz Bandwidth)

Calculated MTBF..... Over 100 Khr at 25C

## Output Electronic Specifications:

Model No.	Po	Vo	Io
AP48069-1C8	31W	6.9VDC	4.5A
AP48120-1C8	48W	12.0VDC	4.0A
AP48138-1C8	48W	13.8VDC	3.5A
AP48240-1C8	30W	24.0VDC	1.25A
AP48276-1C8	48W	27.6VDC	1.8A
AP48330-1C8	33W	33.0VDC	1.0A
AP48480-1C8	48W	48.0VDC	1.0A
AP48552-1C8	48W	55.2VDC	0.8A

## Feature:

Universal Input 100V to 240VAC  
IEC Socket C8 Input  
With Constant Current Function  
Charger for Lead Acid

## Environmental :

Operating Temperature:  
0 deg. C to 40 deg. C ambient  
Storage Temperature:  
-20 deg. C to 80 deg.C

## EMI:

Meet FCC Class B and  
CISPR 22 Class B

## Safety:

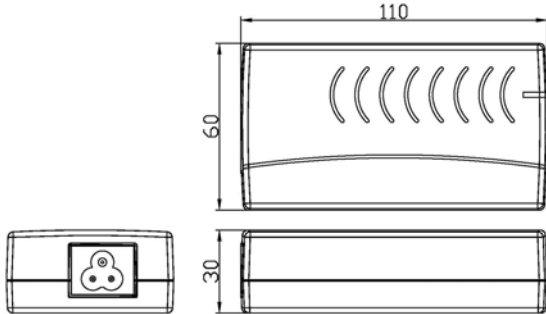
UL/cUL/CE



<http://www.bobbintron.com>

# BOBBINTRON ELECTRICAL CORPORATION

AP48XX – 1C6 Series 48W Desktop Power Supply



## Electrical specifications :

Input:

Voltage..... 100-240VAC  
Current.....1.2A rms Max  
Frequency.....50-60 Hz

Output:

Voltage (Vo)..... (see table)  
Tolerance.....+/- 5%  
Power (Po).....48W

Hold up time.....8mS min at Full Load, 115VAC

Over voltage protection.....Built-in

Short circuit protection.....Hiccup Mode, Auto Recovery

Efficiency.....70% min, at Full Load and 115VAC

Ripple/Noise (Vp-p).....2% (20M Hz Bandwidth)

Calculated MTBF..... Over 100 Khr at 25C

## Output Electronic Specifications:

Model No.	Po	Vo	Io
AP48069-1C6	31W	6.9VDC	4.5A
AP48120-1C6	48W	12.0VDC	4.0A
AP48138-1C6	48W	13.8VDC	3.5A
AP48240-1C6	30W	24.0VDC	1.25A
AP48276-1C6	48W	27.6VDC	1.8A
AP48330-1C6	33W	33.0VDC	1.0A
AP48480-1C6	48W	48.0VDC	1.0A
AP48552-1C6	48W	55.2VDC	0.8A

## Feature:

Universal Input 100V to 240VAC  
IEC Socket C6 Input  
With Constant Current Function  
Charger for Lead Acid

## Environmental :

Operating Temperature:  
0 deg. C to 40 deg. C ambient  
Storage Temperature:  
-20 deg. C to 80 deg.C

## EMI:

Meet FCC Class B and  
CISPR 22 Class B

## Safety:

UL/CUL CE

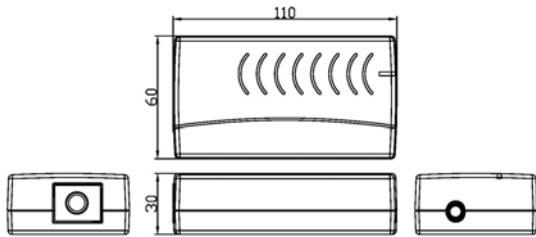


<http://www.bobbintron.com>

# BOBBINTRON ELECTRICAL CORPORATION

AP48XX – 1X Series

48W Desktop with AC Cord Power Supply



## Electrical specifications :

Input:

Voltage..... 100-240VAC  
Current.....1.2A rms Max  
Frequency.....50-60 Hz

Output:

Voltage (Vo)..... (see table)  
Tolerance.....+/- 5%  
Power (Po).....48W

Hold up time.....8mS min at Full Load, 115VAC

Over voltage protection.....Built-in

Short circuit protection.....Hiccup Mode, Auto Recovery

Efficiency.....70% min, at Full Load and 115VAC

Ripple/Noise (Vp-p).....2% (20M Hz Bandwidth)

Calculated MTBF..... Over 100 Khr at 25C

## Output Electronic Specifications: U: USA, E: Euro, B: UK

Model No.	Po	Vo	Io
AP48069-1U, E, B	31W	6.9VDC	4.5A
AP48120-1U, E, B	48W	12.0VDC	4.0A
AP48138-1U, E, B	48W	13.8VDC	3.5A
AP48240-1U, E, B	30W	24.0VDC	1.25A
AP48276-1U, E, B	48W	27.6VDC	1.8A
AP48330-1U, E, B	33W	33.0VDC	1.0A
AP48480-1U, E, B	48W	48.0VDC	1.0A
AP48552-1U, E, B	48W	55.2VDC	0.8A

## Feature:

Universal Input 100V to 240VAC  
With AC Power Cord  
With Constant Current Function  
Charger for Lead Acid

## Environmental :

Operating Temperature:  
0 deg. C to 40 deg. C ambient  
Storage Temperature:  
-20 deg. C to 80 deg.C

## EMI:

Meet FCC Class B and  
CISPR 22 Class B

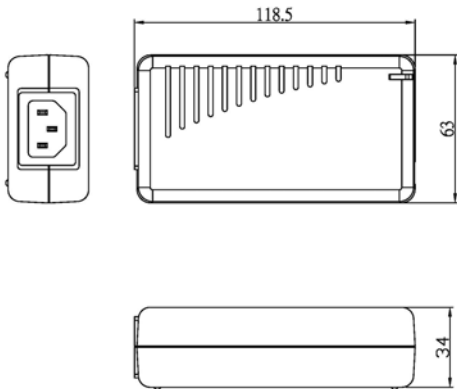
## Safety:

UL/CUL/CE



AP48XX – 1C14 Series

48W Desktop Power Supply



**Electrical specifications :**

Input:

Voltage..... 100-240VAC  
Current.....1.2A rms Max  
Frequency.....50-60 Hz

Output:

Voltage (Vo)..... (see table)  
Tolerance.....+/- 5%  
Power (Po).....48W

Hold up time.....8mS min at Full Load, 115VAC

Over voltage protection.....Built-in

Short circuit protection.....Hiccup Mode, Auto Recovery

Efficiency.....70% min, at Full Load and 115VAC

Ripple/Noise (Vp-p).....2% (20M Hz Bandwidth)

Calculated MTBF..... Over 100 Khr at 25C

**Output Electronic Specifications:**

Model No.	Po	Vo	Io
AP48069-1C14	31W	6.9VDC	4.5A
AP48120-1C14	48W	12.0VDC	4.0A
AP48138-1C14	48W	13.8VDC	3.5A
AP48240-1C14	48W	24.0VDC	2.0A
AP48276-1C14	48W	27.6VDC	1.8A

**Feature:**

Universal Input 100V to 240VAC  
IEC Socket C14 Input  
With Constant Current Function  
Charger for Lead Acid

**Environmental :**

Operating Temperature:  
0 deg. C to 40 deg. C ambient  
Storage Temperature:  
-20 deg. C to 80 deg.C

**EMI:**

Meet FCC Class B and  
CISPR 22 Class B

**Safety:**

CE