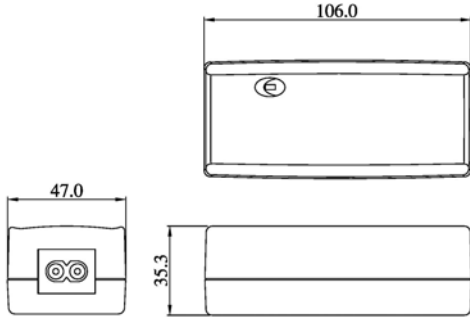




<http://www.bobbintron.com>

# BOBBINTRON ELECTRICAL CORPORATION

AP65XX Series 65W Desktop Laptop Charger



## Electrical specifications :

### Input:

Voltage..... 100-240VAC  
 Current.....1.6A rms Max  
 Frequency.....50-60 Hz

### Output:

Voltage (Vo)..... (see table)  
 Tolerance.....+/- 5%  
 Power (Po).....65W

Hold up time.....8mS min at Full Load, 115VAC

Over voltage protection.....Built-in

Short circuit protection.....Hiccup Mode, Auto Recovery

Efficiency.....70% min, at Full Load and 115VAC

Ripple/Noise (Vp-p).....2% (20M Hz Bandwidth)

Calculated MTBF..... Over 100 Khr at 25C

## Output Electronic Specifications:

Model No.	Po	Vo	Io
AP6512	48W	12.0VDC	4.0A
AP6512A	60W	12.0VDC	5.0A
AP6516	64W	16.0VDC	4.0A
AP6519	65W	19.0VDC	3.4A
AP6524	65W	24.0VDC	2.7A

## Feature:

Universal Input 100V to 240VAC  
 IEC Socket C8 Input  
 With Constant Current Function  
 Charger for Laptop  
 LED Indicator

## Environmental :

Operating Temperature:  
 0 deg. C to 40 deg. C ambient  
 Storage Temperature:  
 -20 deg. C to 80 deg.C

## EMI:

Meet FCC Class B and  
 CISPR 22 Class B

## Safety:

PSE, CE