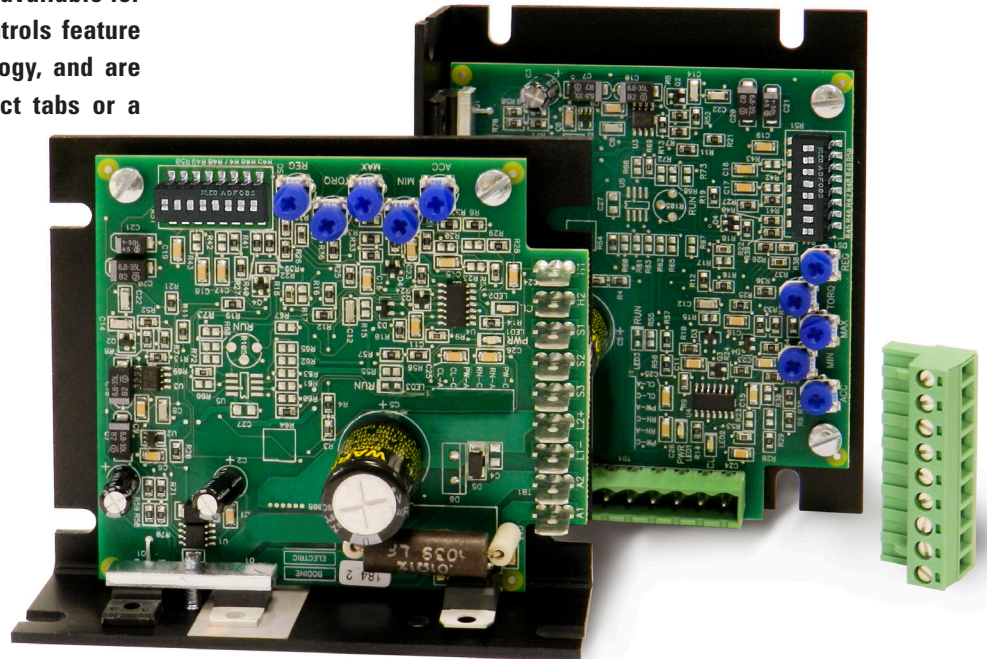


Low-Voltage Speed Controls for PMDC Gearmotors and Motors (12 and 24 VDC models)

Type WPM motor speed controls provide simple and reliable speed control for low-voltage PMDC gearmotors and motors. Two models are available for either 12VDC or 24VDC motors. The controls feature pulse width modulation (PWM) technology, and are available with either 1/4" quick connect tabs or a plug-in terminal block.

- **Input Voltage Range:**
12-14 VDC or 24-35 VDC
- **Output Voltage:**
up to 95% of input voltage
- **Inhibit Function:**
connections for optional user-supplied inhibit switch available
- **Two Diagnostic LEDs:**
indicate when power is on and when current output is at limit set by TORQ pot
- **DIP Switches:**
for easy motor/gearmotor setup
- **User-Adjustable Pots:**
TORQ (current) limit—protects system from sustained overloads
MIN speed limit—sets minimum speed
MAX speed limit—sets maximum speed
ACC—sets acceleration/deceleration time
REG—adjusts IR compensation
- **Choice of Connections:** models are available with 1/4" quick connect tabs or a plug-in terminal block.
- **Speed Adjustment:** 10 kΩ single turn speed pot (supplied with control); speed can also be adjusted via 0-5 VDC analog signal.



Typical Applications

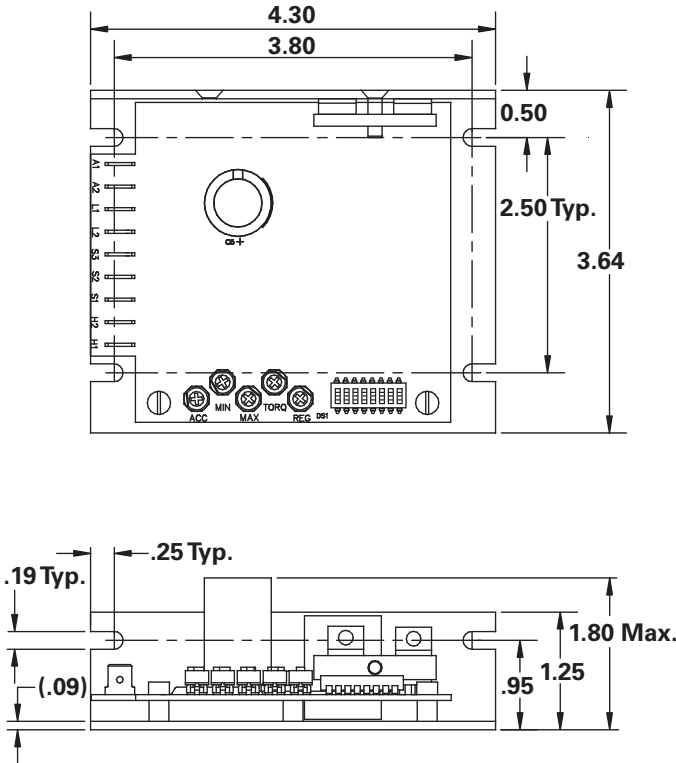
Ideal for portable or remote applications where connection to an AC line is not possible, such as solar powered water circulators, thermal solar power generators, chemical injection pumps at oil wells and automatic gate openers.



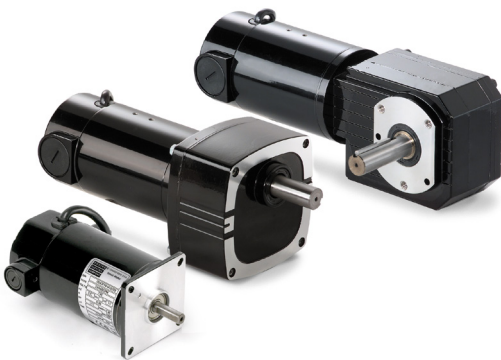
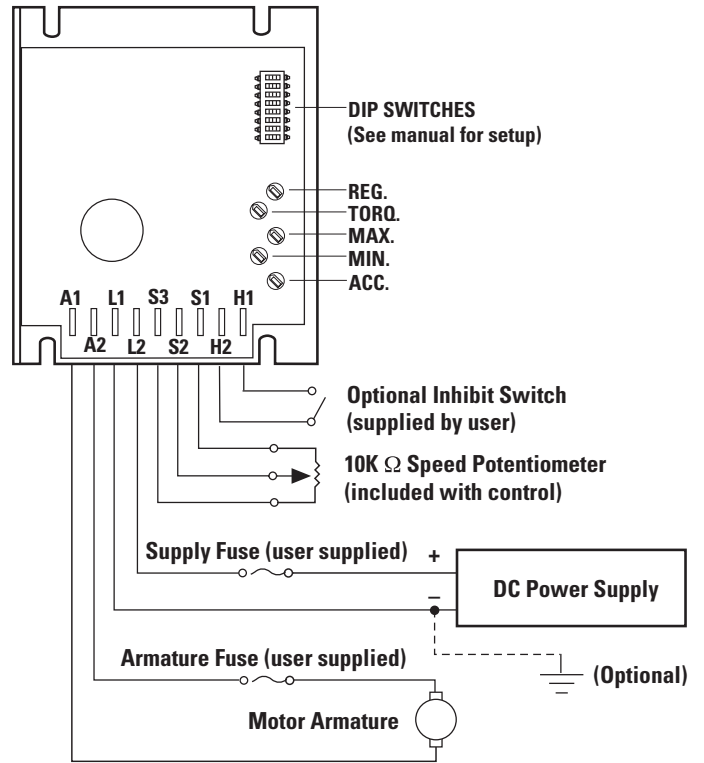
Maximum Motor HP Rating		Input V (VDC)	Motor Rating (VDC)	Continuous Output Current (Amps)	Peak Output Current (Amps)	FF	Product Type	Model Number	
1250 rpm	2500 rpm							1/4 in. QC tab	Terminal Block
1/12	1/6	12-14	12	15 17	35	1.0	WPM-2137C	—	0787
—	1/3	24-35	24	14				0786	—
								0788	0789

Control Dimensions (inches)

Model 0786 shown. Terminal block model dimensions are similar



Control Connection Diagram



Bodine offers over 1,200 standard gearmotors, motors and system-matched speed controls.

Visit www.bodine-electric.com for all your motion control needs.

Bodine offers the widest selection of variable-speed AC, permanent magnet DC and brushless DC fractional horsepower gearmotors and motors in the industry. For complete specifications, 2D/3D CAD drawings, or to order online, visit bodine-electric.com.

