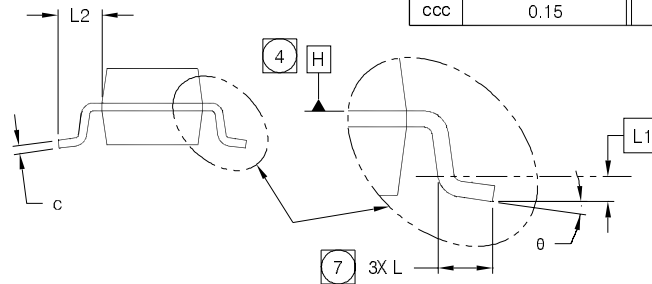
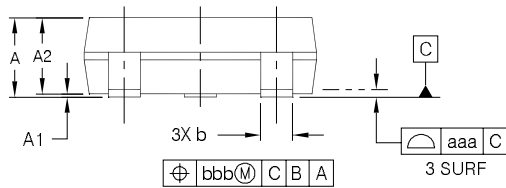
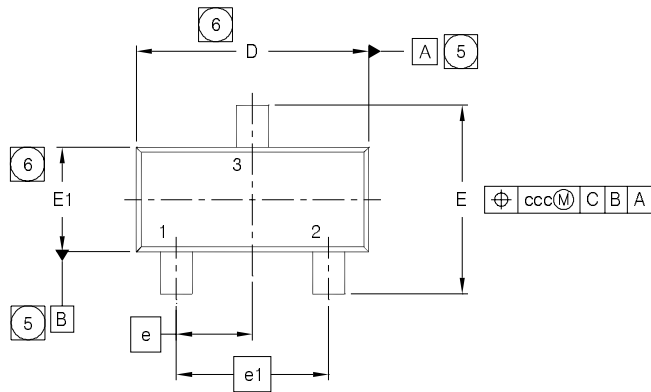


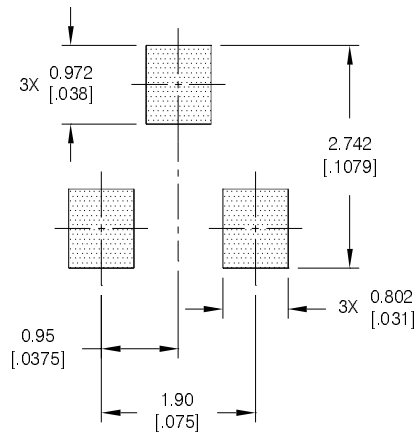
# Micro3 / SOT-23 Package Outline

Dimensions are shown in millimeters (inches)

SYMBOL	DIMENSIONS			
	MILLIMETERS		INCHES	
	MIN	MAX	MIN	MAX
A	0.89	1.12	.036	.044
A1	0.01	0.10	.0004	.0039
A2	0.88	1.02	.035	.040
b	0.30	0.50	.0119	.0196
c	0.08	0.20	.0032	.0078
D	2.80	3.04	.111	.119
E	2.10	2.64	.083	.103
E1	1.20	1.40	.048	.055
e	0.95 BSC		.0375 BSC	
e1	1.90 BSC		.075 BSC	
L	0.40	0.60	.0158	.0236
L1	0.25 BSC		.0118 BSC	
L2	0.54 REF		.021 REF	
θ	0°	8°	0°	8°
aaa	0.10		.004	
bbb	0.20		.008	
ccc	0.15		.006	



## RECOMMENDED FOOTPRINT



## LEAD ASSIGNMENT

1. GATE
2. SOURCE
3. DRAIN

## NOTES

1. DIMENSIONING AND TOLERANCING PER ASME Y14.5M-1994.
2. DIMENSIONS ARE SHOWN IN MILLIMETERS [INCHES]
3. CONTROLLING DIMENSION: MILLIMETER.
- ④ DATUM PLANE H IS LOCATED AT THE MOLD PARTING LINE.
- ⑤ DATUM A AND B TO BE DETERMINED AT DATUM PLANE H.
- ⑥ DIMENSIONS D AND E1 ARE MEASURED AT DATUM PLANE H. DIMENSIONS DOES NOT INCLUDE MOLD PROTRUSIONS OR INTERLEAD FLASH. MOLD PROTRUSION OR INTERLEAD FLASH SHALL NOT EXCEED 0.25 MM [.010 INCH] PER SIDE.
- ⑦ DIMENSION L IS THE LEAD LENGTH FOR SOLDERING TO A SUBSTRATE.
8. OUTLINE CONFORMS TO JEDEC OUTLINE TO-236AB.