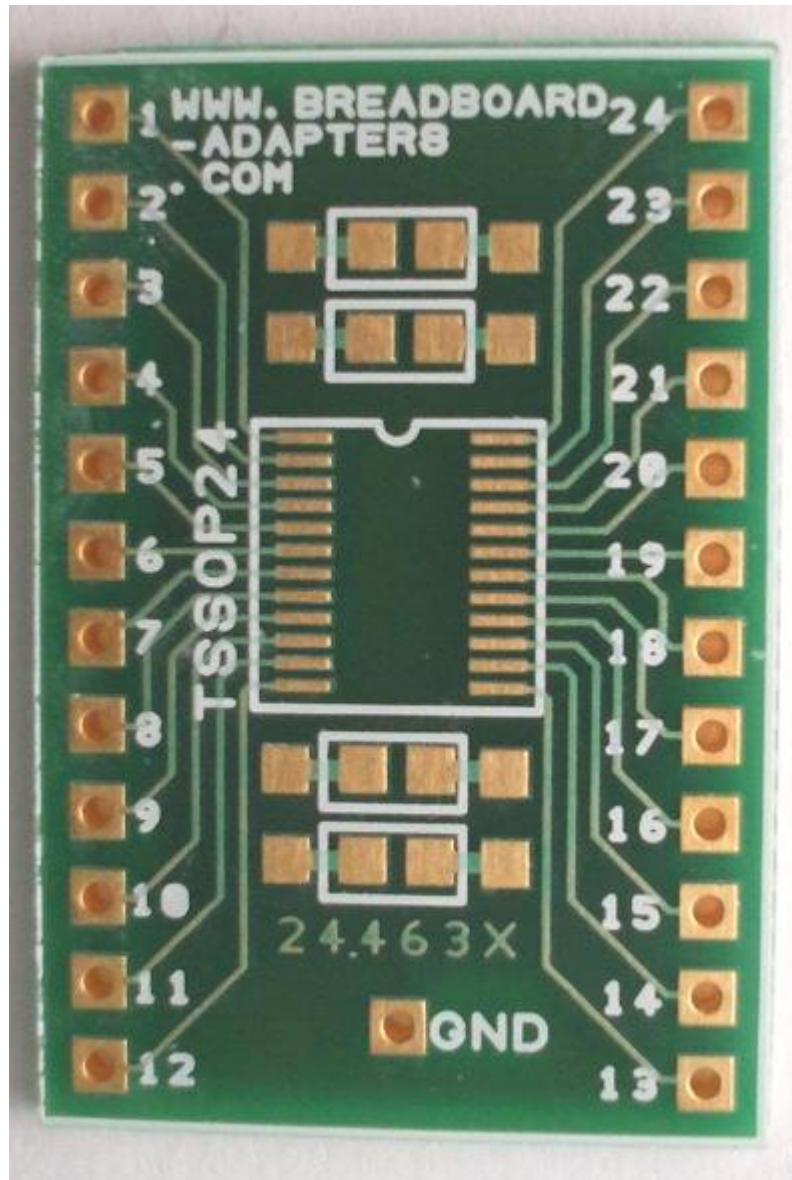
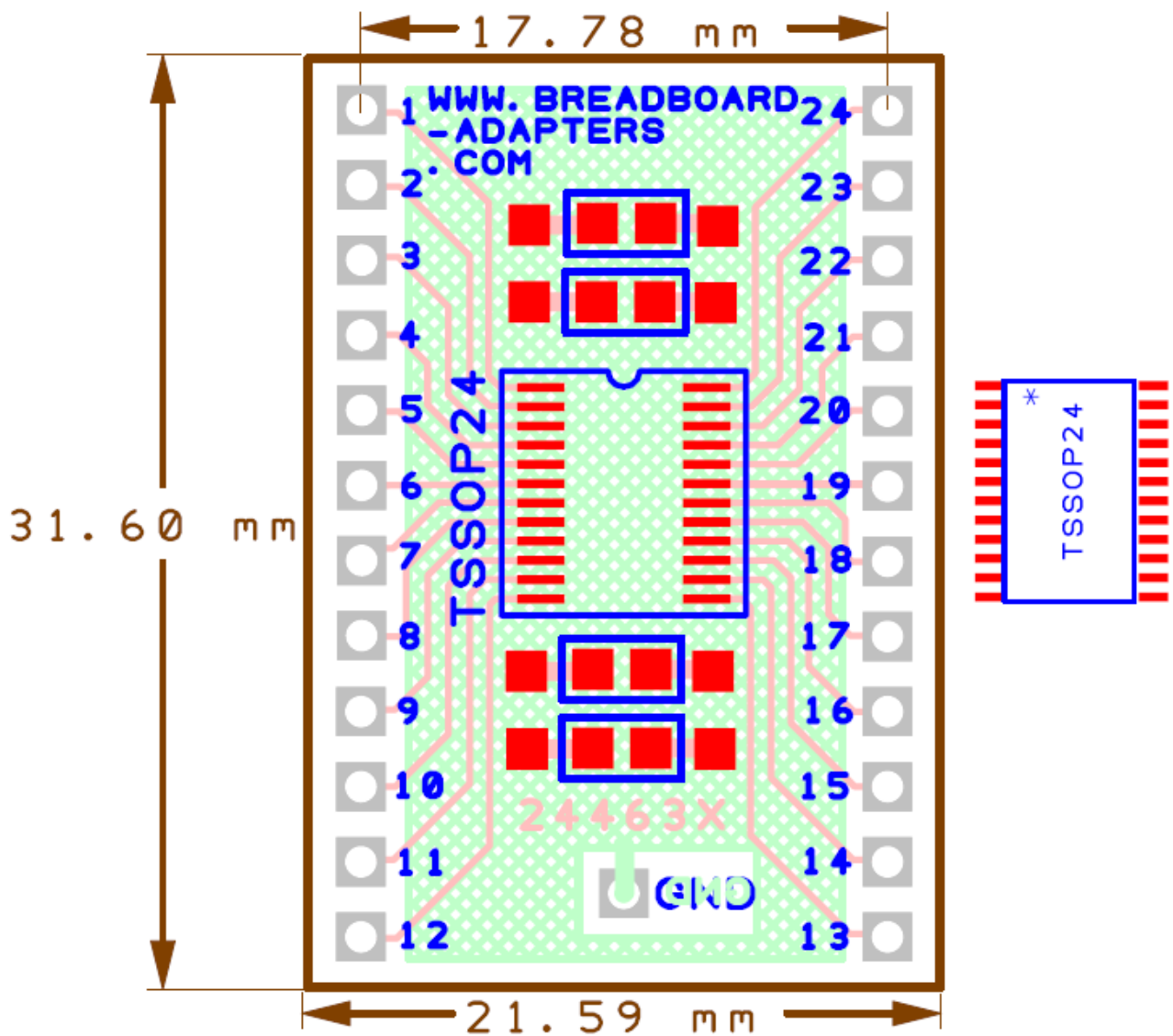


TSSOP24 breadboard adapter

Breadboard adapter for TSSOP24 devices:

PCB dimensions: 21,6 x 31,6 x 1,5 mm





Our reference: 24463X

Product description: Breadboard adapter for TSSOP24 devices.

Accept row connectors with 2,54 mm pitch, and is breadboard compatible. Accept 4 units 0805 devices (decoupling capacitors as example)

Technology: Plated through FR4 pcb, with solder mask to avoid shorts between pads when hand soldered, as shown in photo. All holes are plated through.

The surface of pads in this adapter, is chemical gold plated.

PCB contour: The pcb contour is milled.

Ground connection: connected to the bottom layer.(green in the upper drawing)

Hand soldering: should be used a liquid flux, for best soldering to the gold surface.

Handling: is important that before soldering, to avoid fingerprints over the gold plated surface of the pads.

Links for TSSOP24 package:

http://www.nxp.com/documents/reflow_soldering/sot355-1_fr.pdf

<http://www.fairchildsemi.com/dwg/MT/MTC24.pdf>

http://www.st.com/internet/com/TECHNICAL_RESOURCES/TECHNICAL_LITERATURE/PACKAGE_INFORMATION/CD00004815.pdf

<http://www.ichaus.de/upload/pdf/Package%20dimensions%20MSOP,%20SSOP,%20TSSOP-A2.pdf>

http://pdfserv.maxim-ic.com/package_dwgs/21-0066.PDF

Please visit our site for updates and new types:

<http://www.breadboard-adapters.com/>

To any questions or feedback please email:

sales@breadboard-adapters.com