

# Wall Mount Bracket VD-B-ADAP

## VD-B-ADAP

### Wall Mount Bracket

Material: ADC12 aluminum alloy

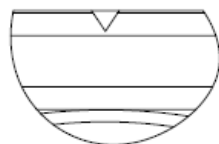
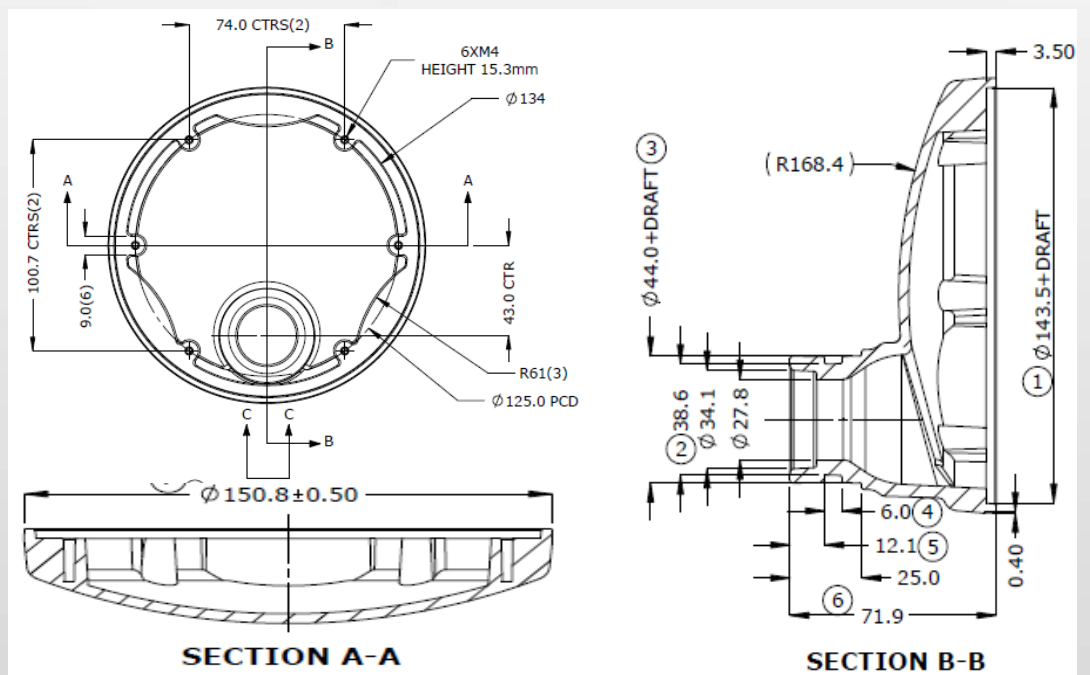
Dimension : 150.08L mm (+0.25mm)

Certification: ROHS

Weight: 420g (+5g)

Support Model: Fixed Dome/Vandal Dome

**Dimension:** (Unit: mm)



**VIEW C-C**  
**SCALE 1 : 1**

