

Wall Mount Bracket MD-B-ADAP

MD-B-ADAP

Wall Mount Bracket+Plate

Material: ADC12 aluminum alloy

Dimension : 150.08L mm (+0.25mm)

Certification: ROHS

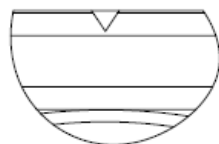
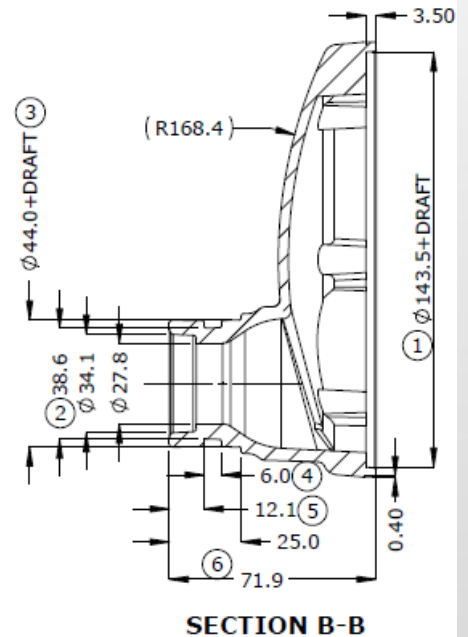
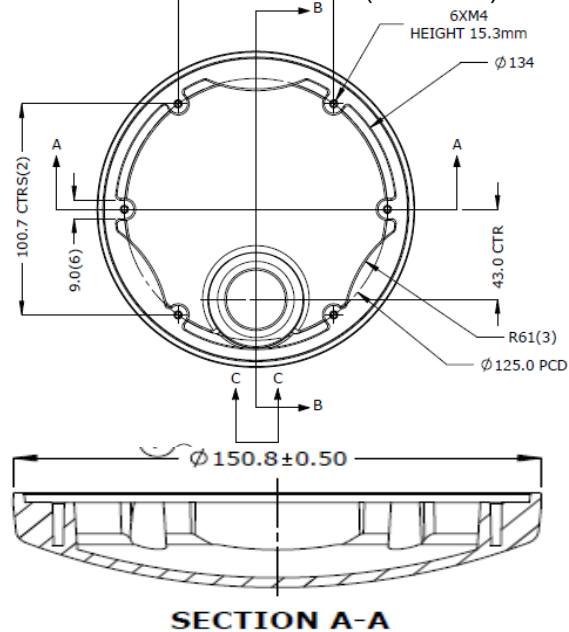
Weight: Bracket: 420g (+5g)

Plate: 200g (+5g)

Support Model: Mini Dome

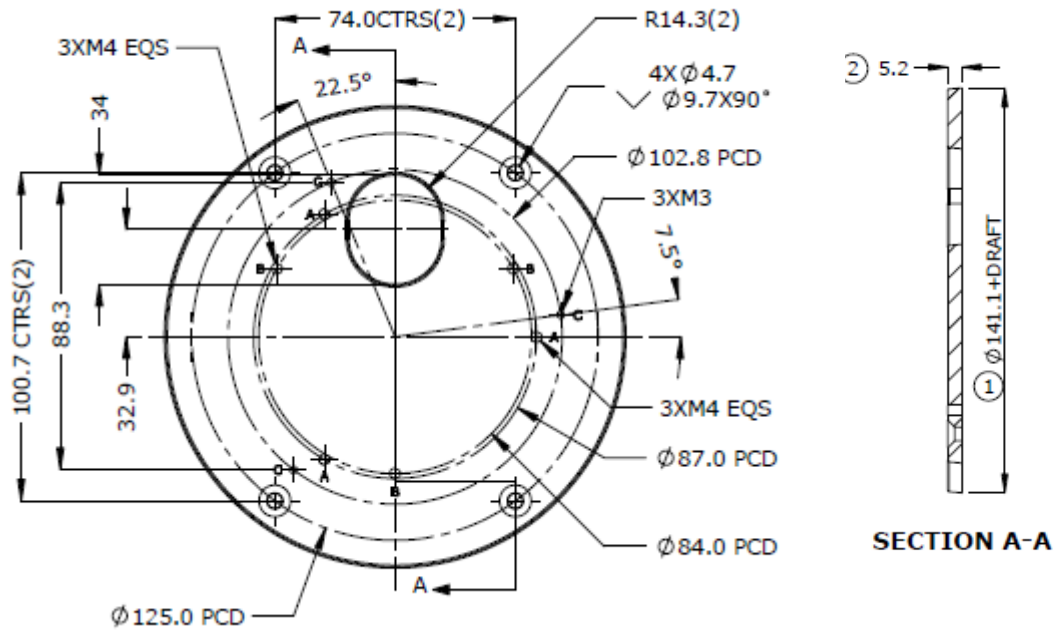


Wall Mount Dimension: (Unit: mm)



VIEW C-C
SCALE 1 : 1

Plate Dimension: (Unit: mm)



PHM4-0.7x12*4pcs →

← FHM3-0.5x10*3pcs

O-Ring 4x8x2*4pcs →

← FHM4-0.7x12*4pcs

