



Tech Note 032114_03

Date: March 21, 2014

Product: Satellite

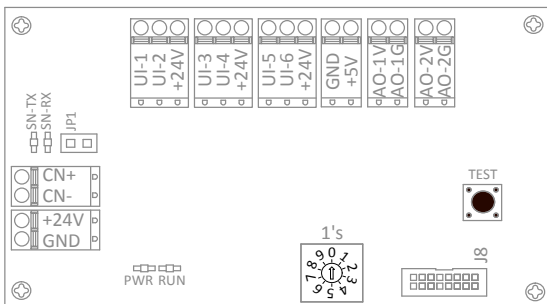
Subject: FI-2 Hardware Revisions

Note: Controller Improvements

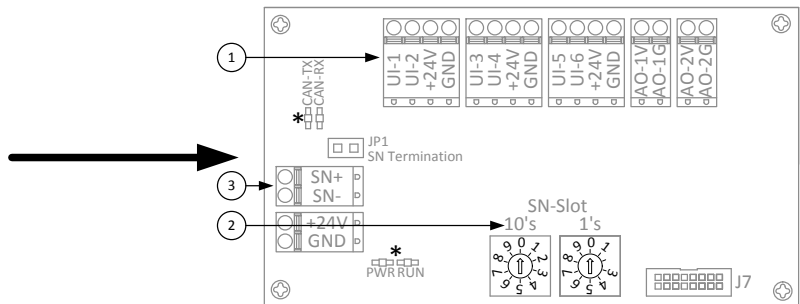
See Dealer Tools for revised Detail Drawings.

1. Universal Input Terminal Block:
 - Standardized Input, Ground, and 24VDC terminations to be adjacent.
2. Added second rotary dial to support future expansion of Satellite/Station Network addresses.
3. Satellite/Station Network:
 - Revised for standardization across product line.

SC-FI2-A Rev1.0



FI2-B Rev2.0



* Indicates a physical location change.