

Tech Note 100713_01

Date: October 7, 2013

Subject: Bluetooth Module Installation

Product: Zone Controller (ZC)

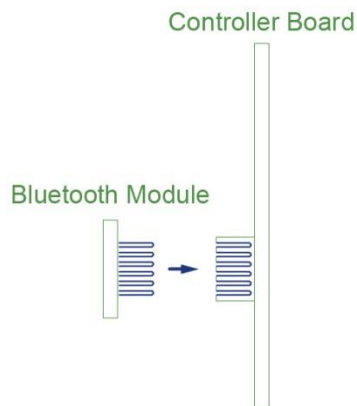
Note: Recommended Installation Procedure

1. Turn the Controller Board Power Switch off.
2. Insert Bluetooth Module into the Bluetooth Port on the Controller Board.
 - a. Verify the 12 pins on the Bluetooth Module are seated properly.

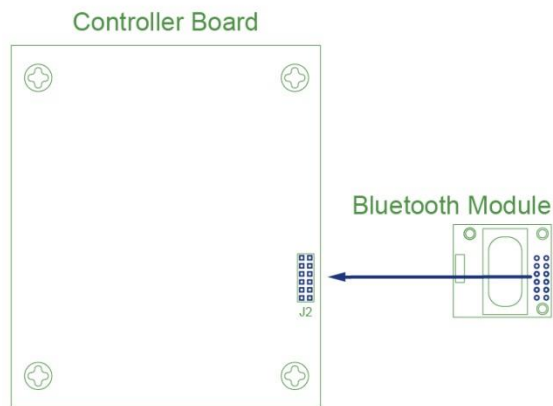
Caution: Incorrect pin alignment may damage the Controller Board

- b. Check for correct orientation of the Bluetooth Module.
3. Turn the Controller Board Power Switch on.

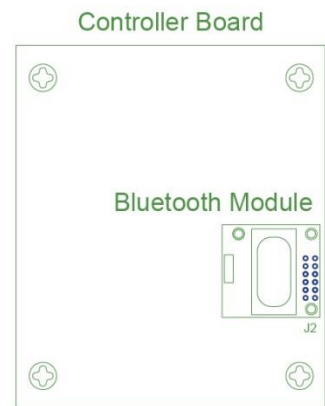
Side



Front



Front Installed



Bottom

