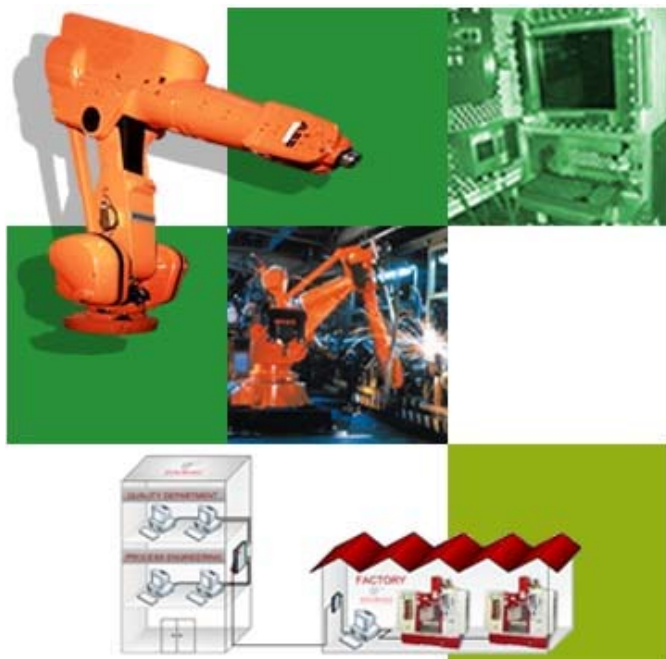


The TRIM TRIO® Ethernet Cat5e solution for industrial & harsh environments



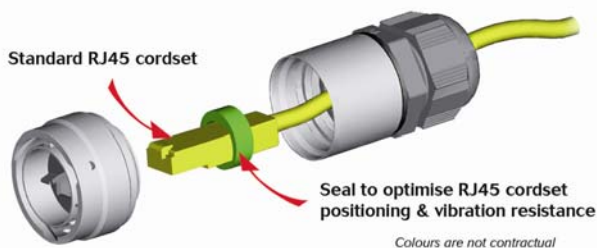
Applications



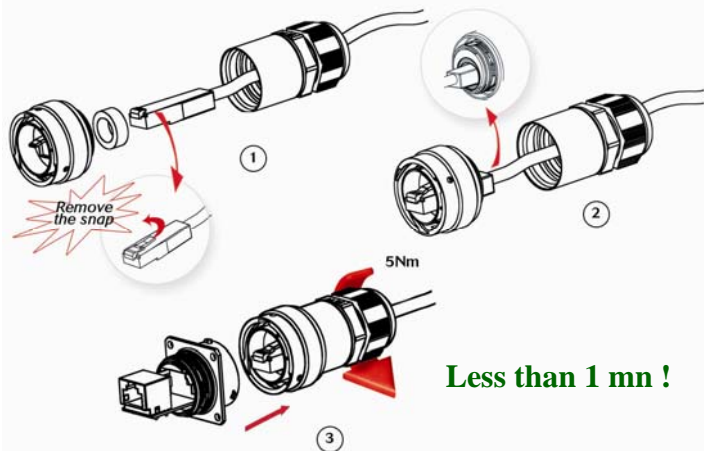
Typical applications for the **UTO RJ45** connectors are Robotics, Factory automation, Data acquisition and download in production environments, Networks interconnects etc.

Features & Benefits

- A **universal solution** :
 - . Suitable for standard RJ45 cord set



- Easy to **use and to assemble** :
 - . No special installation tool required
 - . Perfect for field installation



- **Ethernet Cat5e** connection
 - . Cat5e per TIA/EIA & class D per ISO/IEC11801
 - . 10 BaseT, 100 BaseTX, & 1000 BaseT networks
- SOURIAU's UTO RJ45 offer :
 - . Available in shell size 18
 - . Plug with male RJ45 cordset
 - . Receptacle with female RJ45 feed through
 - . **Square flange** and **jam nut** receptacle versions

Please contact us for specific requirements



For further information, visit our web site www.souriau.com or contact the following address : contactindustry@souriau.com

Confidential document, reserved for the exclusive use of the intended recipient. Cannot be copied, reproduced or duplicated, completely or partially, without prior agreement of Souriau.