

EFIL-100-10 FILTER MODULE

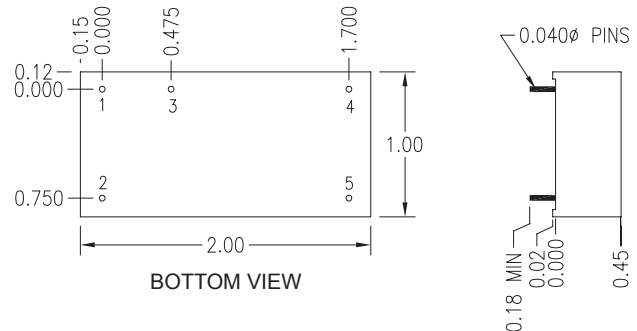


Features

- Input Differential and Common Mode Filter
- Water washable plastic, non-conductive case (2)
- Available with RoHS compliant construction, simply add "(RoHS)" after the part number i.e EFIL-100-10 (RoHS)

Unless otherwise stated, these specifications apply for ambient temperature $T_A=25\text{ }^\circ\text{C}$, $V_{IN}=48\text{VDC}$, 7ADC load. (1)

Input Parameters			
Model		EFIL-100-10	Units
Input Voltage	MAX	100	VDC
Input Frequency	MAX	100	Hz



Mechanical tolerances unless otherwise noted:
 X.XX dimensions: ± 0.020 inches
 X.XXX dimensions ± 0.005 inches

Output Parameters			
Model		EFIL-100-10	Units
Average Current Natural Convection	MAX	7	ADC
Average Current 400LFM Airflow	MAX	10	ADC
Operating Current	MAX	10	ADC
Insertion Loss, Differential Mode, 500 kHz.	TYP	31	dB
Insertion Loss, Common Mode, 500 kHz	TYP	28	dB
Resistance, per leg	TYP	17	milliohms

PIN	FUNCTION
1	+ Vin (3)
2	- Vin
3	Ground
4	+ Vout (3)
5	- Vout

* Absolute Maximum Ratings. Caution: Stresses in excess of the Absolute Maximum Ratings can cause permanent damage to the device (1).

Notes:

- (1) All parameters measured at $T_A=25\text{ }^\circ\text{C}$ ambient, $V_{in} = 48\text{VDC}$, 7 ADC load. Refer to CALEX Application Notes for definition of terms, measurement circuits and other information.
- (2) Water washability - Calex Filter Modules are designed to withstand most solder/wash processes. Careful attention should be used when assessing the applicability in your specific manufacturing process. Filter Modules are not hermetically sealed.
- (3) The unit is not Polarity Sensitive. The +Vin and +Vout pins can be connected as - Vin and -Vout.
- (4) Available with RoHS and Non-RoHS construction, contact factory for details.

RoHS Compliance:

See Calex Website www.calex.com/RoHS.html for the complete RoHS Compliance statement.

The RoHS marking is as follows.



General Specifications			
			Units
Environmental			
Case Temperature Operating Range at 10A	MIN MAX	-40 +60	$^\circ\text{C}$
Case Temperature Operating Range at 7A	MIN MAX	-40 +80	$^\circ\text{C}$
Storage Range	MIN MAX	-40 +105	$^\circ\text{C}$
General			
Unit Weight	TYP	28	grams
Case Dimension		1" x 2" x 0.47"	