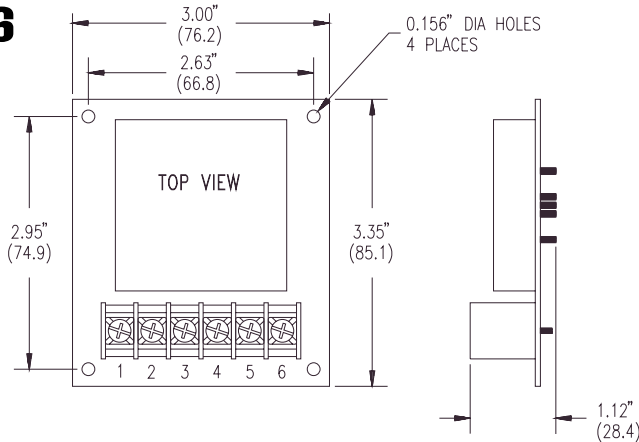


Dual Output DC/DC Converter Chassis Mounting Kits

| Dual Output DC/DC Converter Mounting Kit Reference Chart | |
|--|--------------------------|
| MS6, MS8, MS15 | MS8 |
| 10 Watt "Low Input" WD 10 Watt WD | 12 Watt LV 20 Watt NT |

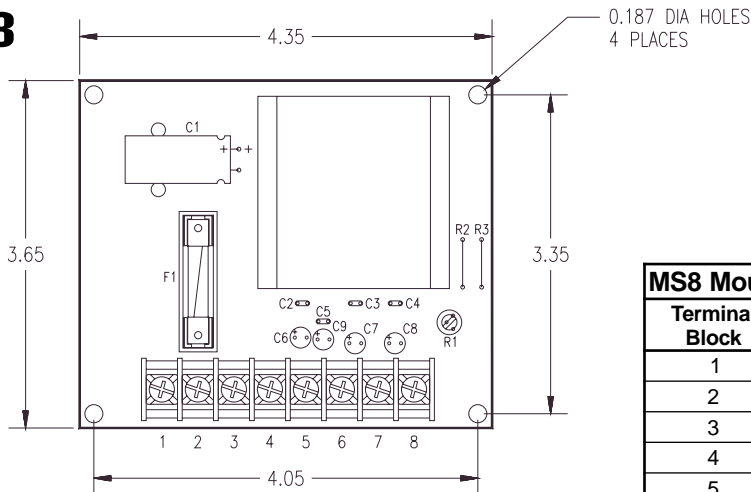
MS6



MS6 Mounting Kit

| Screw Terminal | 10 Watt "low Input" WD | 10 Watt WD |
|----------------|------------------------|------------|
| | Function | |
| 1 | + OUTPUT | |
| 2 | CMN | |
| 3 | - OUTPUT | |
| 4 | N/C | |
| 5 | + INPUT | |
| 6 | - INPUT | |

MS8



MS8 Mounting Kit

| Terminal Block | 10 Watt "Low Input" WD 10 Watt WD | 12 Watt LV 20 Watt NT |
|----------------|--------------------------------------|--------------------------|
| 1 | N/U | ON/OFF |
| 2 | +INPUT | +INPUT |
| 3 | -INPUT | -INPUT |
| 4 | N/U | N/U |
| 5 | +OUTPUT | +OUTPUT |
| 6 | CMN | CMN |
| 7 | -OUTPUT | -OUTPUT |
| 8 | N/U | TRIM |

MS8 Mounting Kit Models

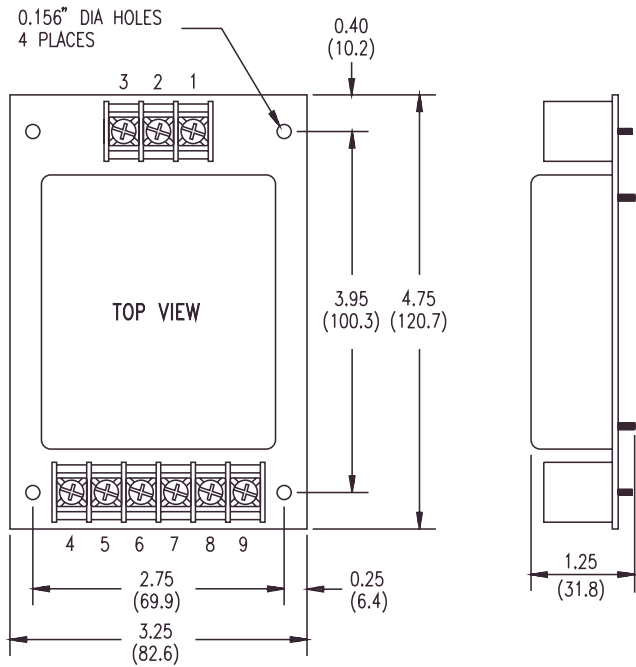
| Model | Description |
|-----------|--|
| MS8-D1.5 | Dual with 1.5 Amp Fuse |
| MS8-D4 | Dual with 4 Amp Fuse |
| MS8-CD1.5 | Dual with 1.5 Amp Fuse and 180 μ F, 100V Input Cap |
| MS8-CD4 | Dual with 4 Amp Fuse and 180 μ F, 100V Input Cap |

Dual Output DC/DC Converter Chassis Mounting Kits

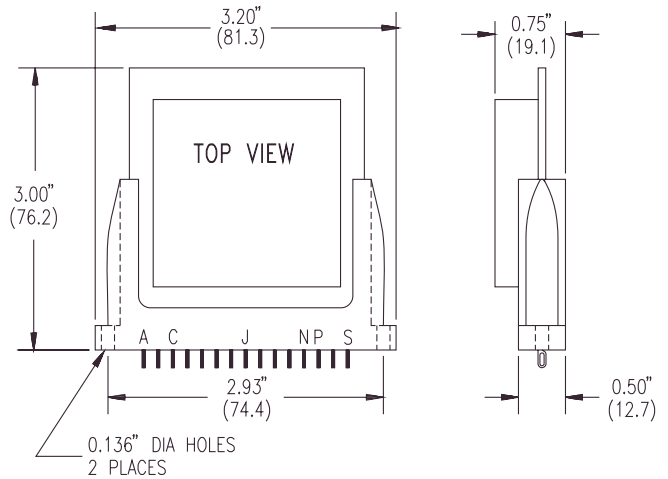
Dual Output DC/DC Converter Mounting Kit Reference Chart

| MS6, MS8, MS15 | MS9 |
|------------------------|------------|
| 10 Watt "Low Input" WD | 30 Watt CS |
| 10 Watt WD | 40 Watt XT |

MS9



MS15



MS9 Mounting Kit

| 30 Watt CS | | 40 Watt XT | |
|------------|------------|------------|------------|
| Screw | Pin Number | Screw | Pin Number |
| 1 | 8 | 6 | N/C |
| 2 | 1 | 7 | 5 |
| 3 | 2 | 8 | 4 |
| 4 | 7 | 9 | 3 |
| 5 | 6 | | |

MS15 Mounting Kit

| 10 Watt "Low Input" WD | | 10 Watt WD | |
|------------------------|----------|------------|--|
| Pin | Function | | |
| A | + INPUT | | |
| C | - INPUT | | |
| J | CMN | | |
| N | KEY | | |
| P | + OUTPUT | | |
| S | - OUTPUT | | |