

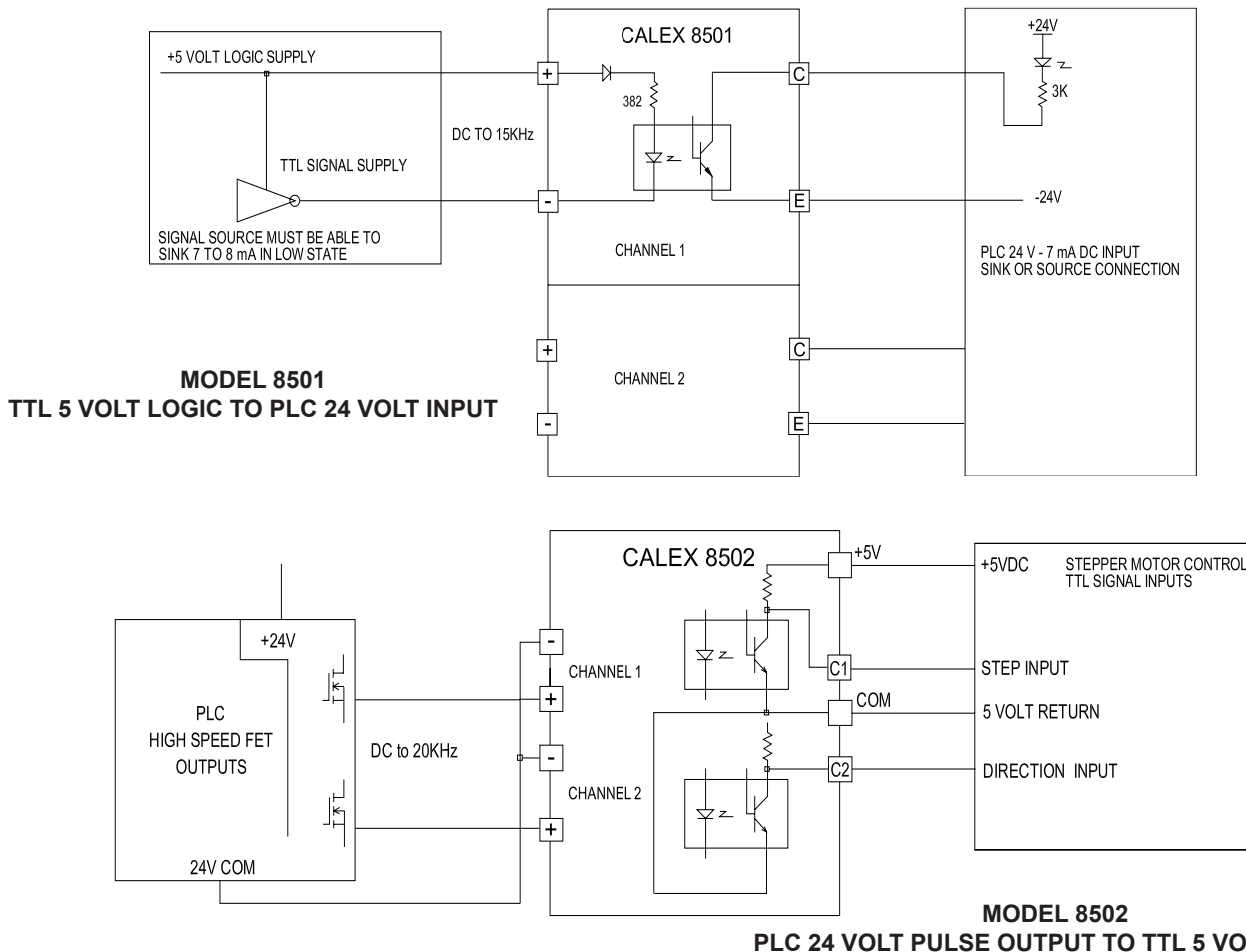


Model 8501 is a two channel converter, 5V to 24V. The two independent channels require 7mA into 382 ohms to provide a 7mA output into the 3K, 24 volt typical PLC logic inputs. They may be driven by standard or H series TTL logic, or with an open collector NPN transistor. Note that low power TTL logic will not drive this unit. The output is a floating optocoupler NPN transistor which may be connected in either a source or sink configuration. The input frequency range is DC to 15KHz.

Model 8502 is a two channel converter, 24V to 5V. Each channel requires 7mA into 2.5K ohms to provide a 5mA sinking output to TTL 5 Volt Logic. The output is an optocoupler NPN transistor collector and requires the 5 Volt logic supply and its return. The input frequency range is DC to 20KHz.

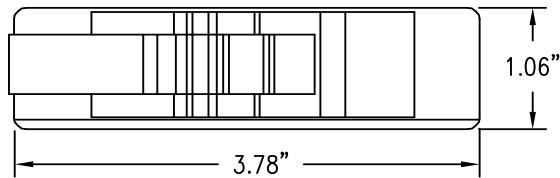
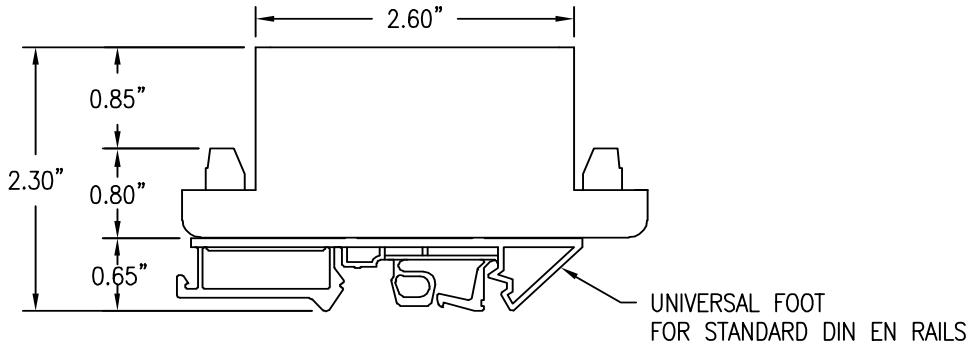
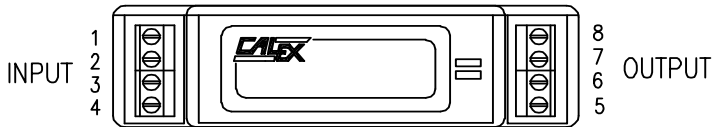
A typical application is the direction and step control of a Stepper Motor by PLC 24 Volt high speed outputs, where the motor controller requires 5 Volt logic signal levels.

The inputs are isolated by optocouplers and are protected from ESD by Varistors. The 2 outputs have a common emitter with each output collector capable of sinking a minimum of 5mA.



Models 8501, 8502

Model	8501	8502
Input Signal Voltage	4.5 Volts Minimum 10 Volts Maximum	22 Volts Minimum 30 Volts Maximum
Input Resistance	382 Ohms Typical	2.5K Ohms Typical
Input Frequency	DC to 15KHz	DC to 20KHz
Output Current	6 mA Minimum 15 mA Maximum	5 mA Minimum Output is Inverted
Output Source Voltage	Off State 30 Volts Maximum	5 Volt Logic Supply 7 Volts Maximum
Environment Operating Storage	0°C to +55°C -40°C to 80°C	
Size (Not including universal foot)	1.65"H x 1.06"W x 3.78"L (42 x 27 x 96mm)	
Weight	5 oz (142 grams)	
Agency Approvals	UL 508, UL 1604	



MODEL 8501	
PIN	FUNCTION
1	- INPUT (CH1)
2	+ INPUT (CH1)
3	- INPUT (CH2)
4	+INPUT (CH2)
5	COL (CH2)
6	EMIT (CH2)
7	COL (CH1)
8	EMIT (CH1)

MODEL 8502	
PIN	FUNCTION
1	- INPUT (CH1)
2	+ INPUT (CH1)
3	- INPUT (CH2)
4	+INPUT (CH2)
5	COL (CH2)
6	COM
7	COL (CH1)
8	+5