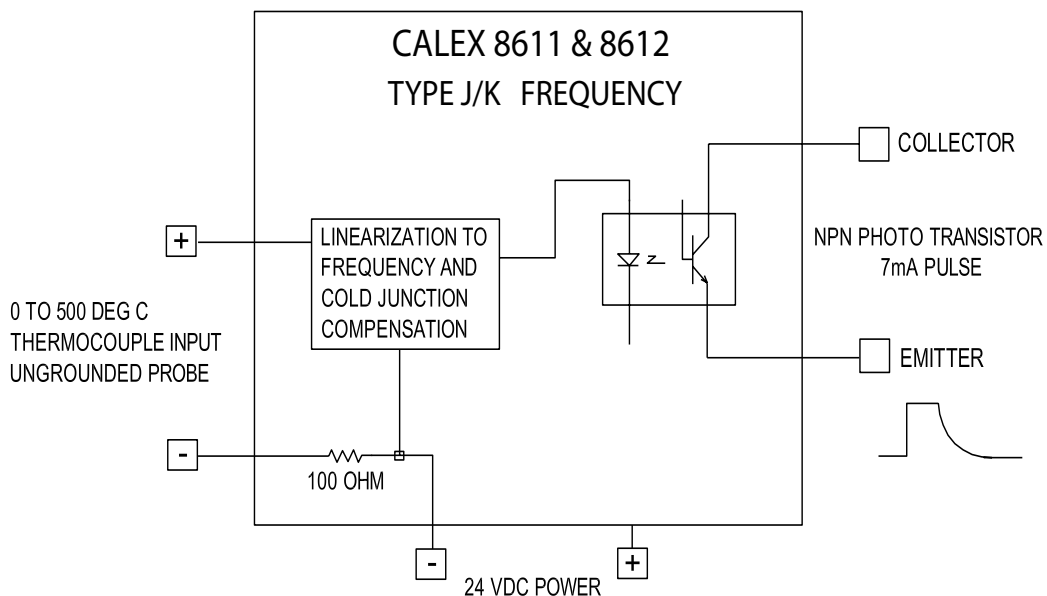




Model 8611 Type J thermocouple to frequency converter is designed to operate into the common 24 Volt, 7 mA PLC inputs. It's output is an isolated optocoupler transistor and provides DC isolation from the input and DC power. The 8611 will operate with a DC supply of 15 volts to 26Volts at 17 mA

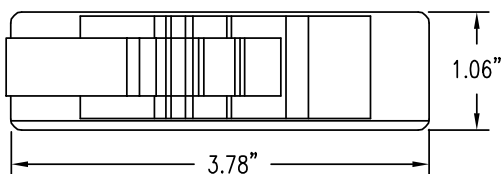
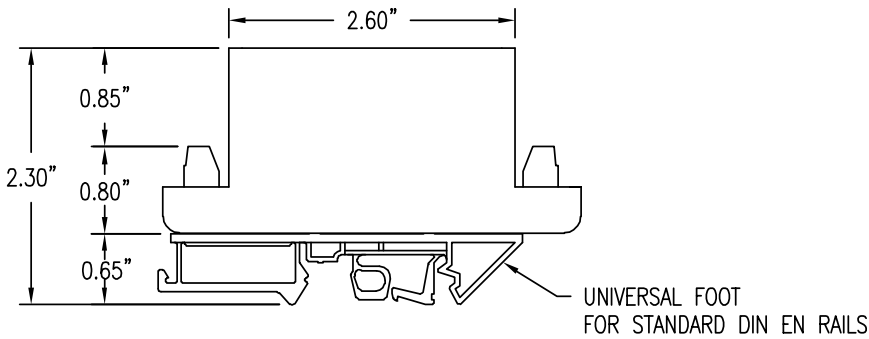
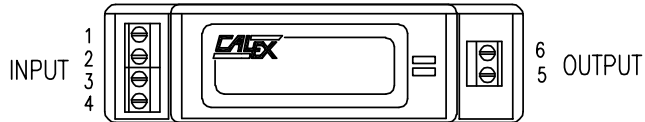
Model 8612 Type K thermocouple to frequency converter is designed to operate into the common 24 volt, 7 mA PLC inputs. The output frequency is linear to the temperature. It's output is an isolated optocoupler transistor and provides DC isolation from the input and DC power. The 8612 will operate with a DC supply of 15 Volts to 26 Volts at 20 mA.

The Model 8611 and 8612 modules are housed in a plastic housing with a U-foot for mounting on standard DIN rails. The unit's dimensions, excluding the mounting foot, are 1.65"H x 1.06"W x 3.78"L. Connections are made to screw clamp terminal blocks.



Models 8611, 8612

Model	8611	8612
Input	Type J Thermocouple 0°C to 500°C or 0°C to 1000°C	Type K Thermocouple 0°C to 1250°C
	Use Ungrounded Probes	
Output	10 Hz at 0°C to 510 Hz at 500°C	5 Hz at 0°C to 255 Hz at 500°C and 630 Hz at 1250°C
Resolution	1°C for 1 second Time Base	
Accuracy	±2°C plus the error of J Thermocouple	±2°C plus the error of K Thermocouple
Cold Junction Compensation +2°C to 55°C 23°C to ±2°C	±0.05°C / °C Typical n/a	±0.05°C / °C Typical ±8°C Typical ±2°C Maximum
Output Source	Floating Optocoupler Transistor, 7mA Minimum Current	
	Square Wave Output	Square Wave for 0.5 and 1 Hz/°C
Response Time	1 second	
Isolation Input to Output Transistor	700 Volts DC 5 pF	700 Volts DC 5 pF
Power Requirements		
Voltage	15 to 26 Volts DC	15 to 26 Volts DC
Current	17 mA Typical	20 mA Typical
	Thermocouple negative input lead connected to Power Supply common through 100 Ohm resistor	
Environment Operating Storage	+2°C to +55°C -40°C to +80°C	
Size (Not including universal foot)	1.65"H x 1.06"W x 3.78"L (42 x 27 x 96 mm)	
Weight	3 oz (85 grams)	
Agency Approvals	UL508, C22.2 No 14-M91	



	MODEL 8611	MODEL 8612
PIN	FUNCTION	FUNCTION
1	+ INPUT	+ INPUT
2	- INPUT	- INPUT
3	COM	COM
4	+ VDC	+ VDC
5	EMITTER	EMITTER
6	COLLECTOR	COLLECTOR