

Non-Magnetic Interconnect Products

Cambion offers a range of non-magnetic products for use in applications susceptible to magnetic interference, such as MRI (Magnetic Resonance Imaging) scanners, and Mine Detection equipment.

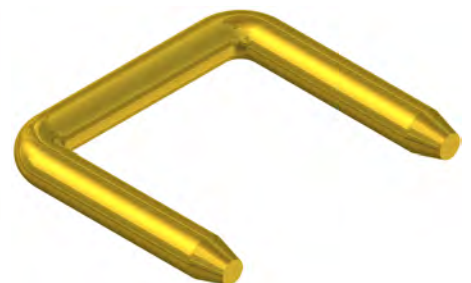
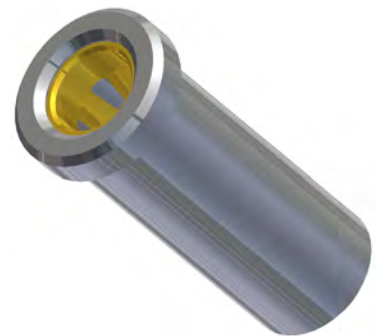
By careful control of raw material and plating selection, and using the latest Magnetoscope technology, magnetic permeability is tightly monitored.

Features

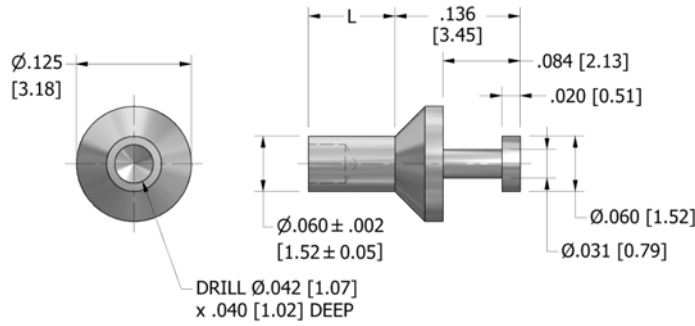
- Low Permeability
- Minimal RF interference
- Various product styles available, connector pins, sockets, terminals, and shorting links
- Choice of plating finishes
- Complements existing ranges
- Custom designs, please consult factory

Materials

Brass, Copper, or Beryllium Copper
Finishes - Gold, Tin, Silver, or
Electro-Solder plated
Insulation - Polypropylene



Non-Magnetic Interconnect Products



HOW TO ORDER CODE
180-8124-XX-YY-00

FABRICATION FINISH

FABRICATION		FINISH	
DASH	'L'	DASH	FINISH
-01	.062 [1.57]	-04	ELECTRO-TIN
-02	.094 [2.39]	-05	ELECTRO-SOLDER
-03	.125 [3.18]		
-04	.156 [3.96]		



HOW TO ORDER CODE
360-8118-XX-YY-00

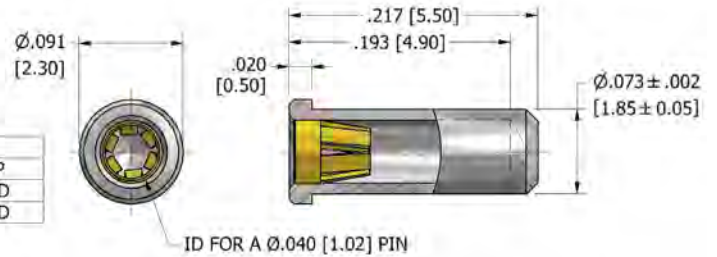
FABRICATION FINISH

FINISH	
DASH	FINISH
-03	GOLD
-04	ELECTRO-TIN

HOW TO ORDER CODE
450-8121-01-YY-00

FINISH

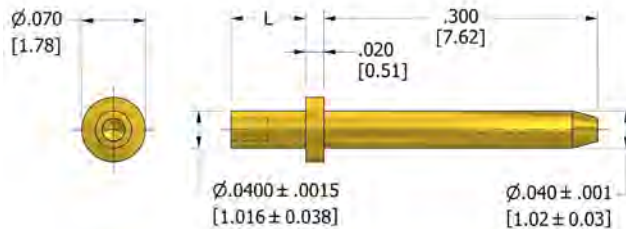
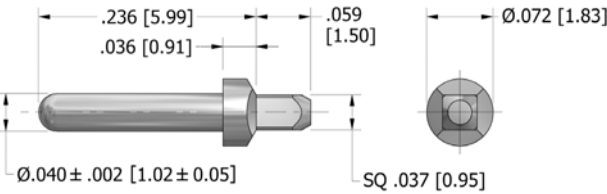
FINISH		
DASH	BODY	CLIP
-03	GOLD	GOLD
-06	ELECTRO-TIN	GOLD



HOW TO ORDER CODE
460-8117-01-YY-00

FINISH

FINISH	
DASH	FINISH
-01	SILVER
-03	GOLD
-04	ELECTRO-TIN

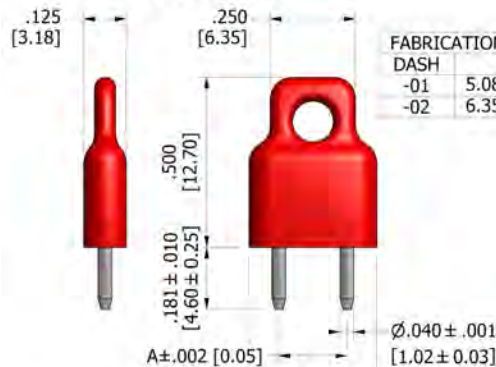


HOW TO ORDER CODE
460-8123-XX-YY-00

FABRICATION FINISH

FABRICATION		FINISH	
DASH	'L'	DASH	FINISH
-01	.051 [1.30]	-03	GOLD
-02	.082 [2.08]	-04	ELECTRO-TIN
-03	.113 [2.87]		

461-8116

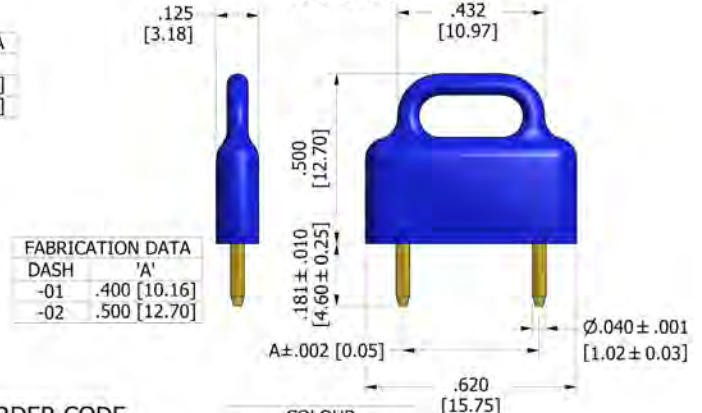


FINISH	
DASH	FINISH
-03	GOLD
-04	ELECTRO-TIN

HOW TO ORDER CODE
461-811X-XX-YY-ZZ

FABRICATION FINISH COLOUR

461-8119



COLOUR	
DASH	COLOUR
-10	BLACK
-12	RED
-16	BLUE

Dimensions in inches [mm]