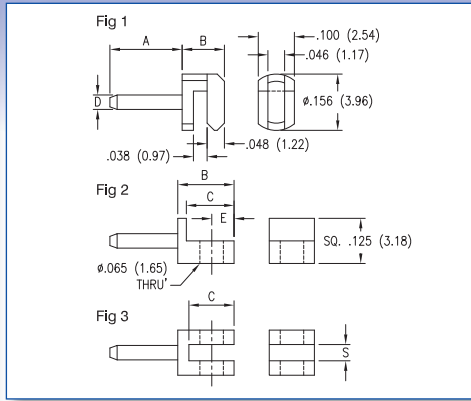


CONNECTOR PINS - EDGE MOUNT

Dimensions in inches (mm)



How to order code

46X - XXXX - XX - XX - 00

Basic Part No. | Finish

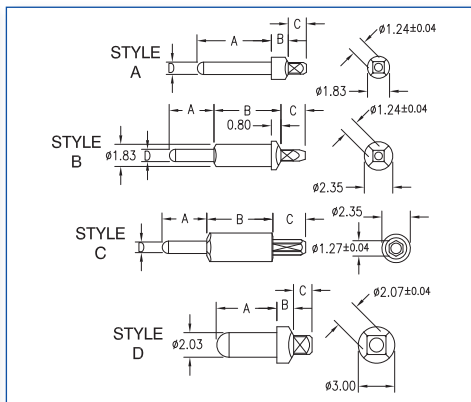
Material Code Table		
Component	Material	RoHS
Pin	Brass	✓

Finish Code Table		
Dash No.	Pin Finish	RoHS
-03	Gold over Nickel	✓
-04	Electro-Tin	✓

Fig.	Basic Part No.	A	Board Thickness	B	C	D	E	S
1	460-8250 -01	.200 (5.08)	-	.117 (2.97)	-	.040 (1.02)	-	-
2	461-2633 -01	.188 (4.77)	-	.156 (3.96)	.132 (3.35)	.040 (1.02)	.062 (1.57)	-
3	461-2634 -01	.200 (5.08)	.031 (0.78)	.156 (3.96)	.125 (3.18)	.040 (1.02)	.062 (1.57)	.045 (1.15)
	-02		.062 (1.57)					.078 (1.98)

CONNECTOR PINS - SOLDER MOUNT POLYGON

Dimensions in mm



How to order code

X - X - X - XXXX - XXXX - 3 - X

B - Brass | 'D' Dia | Style | 'A' Pin Length | 'B' Standoff Length | Finish | 'C' Mounting Length | T - Tellurium Copper

Material Code Table			
Component	Dash Letter	Material	RoHS
Pin	B	Brass	✓
	T	Tellurium Copper	✓

Finish Code Table		
Dash No.	Finish	RoHS
-03	Gold over Nickel	✓

Mounting Code Table	
Dash No.	C Mounting Length
1	0.90
2	1.50
3	2.00
4	2.70

Pin Dia Code Table	
Dash No.	D Pin Diameter
1	1.02
2	1.57
3	2.03

Example Part Number	Material	Pin dia D	Style	Pin Length A	Stand off Length B	Finish	Mounting Length C
B-1-B-0478-0432-3-4	Brass	1.02	B	4.78	4.32	Gold	2.70