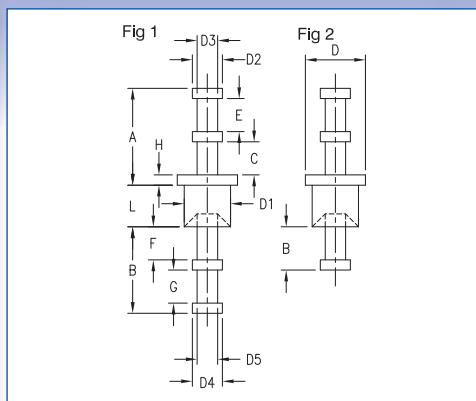


# SOLDER TERMINALS - TURRET, FEEDTHROUGH



Dimensions in inches (mm)  
See page 92/93 for recommended  
Anvil and Punch

## How to order code

**160-XXXX-XX-XX-00**

Basic Part No. -

Finish

Material Code Table		
Component	Material	RoHS
Terminal	Brass	✓

Finish Code Table		
Dash No.	Finish	RoHS
-01	Silver	✓
-03	Gold over Nickel	✓
-04	Electro-Tin	✓
-05	Electro-Solder	X

Fig.	Basic Part No.	L	Board Thickness	A	B	C	D	D1	D2	D3	D4	D5	E	F	G	H	Mtg. Hole Diameter
1	160-2040-01	.051 (1.29)	.031 (0.79)	.186 (4.72)	.164 (4.17)	.062 (1.57)	.094 (2.39)	.072 (1.83)	.050 (1.27)	.038 (0.97)	.050 (1.27)	.038 (0.97)	.062 (1.57)	.062 (1.57)	.062 (1.57)	.022 (0.56)	.076 (1.93)
	-02	.082 (2.08)	.062 (1.59)														
	-03	.113 (2.87)	.094 (2.39)														
	-04	.145 (3.68)	.125 (3.18)														
	-05	.207 (5.26)	.188 (4.78)														
	160-2004-01	.062 (1.57)	.031 (0.79)	.219 (5.56)	.188 (4.78)	.093 (2.36)	.125 (3.18)	.090 (2.29)	.063 (1.60)	.040 (1.02)	.063 (1.60)	.040 (1.02)	.063 (1.60)	.083 (2.11)	.063 (1.60)	.021 (0.53)	.093 (2.37)
	-02	.093 (2.36)	.062 (1.59)														
	-03	.125 (3.18)	.094 (2.39)														
	-04	.156 (3.96)	.125 (3.18)														
	160-1043-01	.062 (1.57)	.031 (0.79)	.281 (7.14)	.164 (4.17)	.105 (2.67)	.156 (3.96)	.090 (2.29)	.109 (2.77)	.053 (1.35)	.070 (1.78)	.048 (1.22)	.100 (2.54)	.062 (1.57)	.062 (1.57)	.032 (0.81)	.093 (2.37)
	-02	.094 (2.39)	.062 (1.59)														
	-03	.125 (3.18)	.094 (2.39)														
	-04	.156 (3.96)	.125 (3.18)														
	160-1035-01	.075 (1.91)	.031 (0.79)	.237 (6.02)	.134 (3.40)	.093 (2.36)	.156 (3.96)	.125 (3.18)	.093 (2.36)	.047 (1.19)	.062 (1.57)	.030 (0.76)	.058 (1.47)	.062 (1.57)	.032 (0.81)	.046 (1.17)	.128 (3.26)
	-02	.105 (2.67)	.062 (1.59)														
	-03	.135 (3.43)	.094 (2.39)														
	-04	.165 (4.19)	.125 (3.18)														
	160-1081-02	.093 (2.36)	.062 (1.59)	.342 (8.69)	.315 (8.00)	.156 (3.96)	.250 (6.35)	.201 (5.11)	.142 (3.61)	.065 (1.65)	.142 (3.61)	.065 (1.65)	.093 (2.36)	.157 (3.99)	.096 (2.44)	.031 (0.79)	.204 (5.18)
	-03	.125 (3.18)	.094 (2.39)														
	-04	.156 (3.96)	.125 (3.18)														
160-1620-02	.094 (2.39)	.062 (1.57)	.500 (12.70)	.436 (11.07)	.220 (5.59)	.312 (7.92)	.262 (6.65)	.200 (5.08)	.125 (3.18)	.200 (5.08)	.125 (3.18)	.156 (3.96)	.218 (5.54)	.156 (3.96)	.062 (1.57)	.266 (6.75)	
-03	.125 (3.18)	.094 (2.39)															
-04	.156 (3.96)	.125 (3.18)															
2	160-2044-01	.051 (1.29)	.031 (0.79)	.186 (4.72)	.082 (2.08)	.062 (1.57)	.094 (2.39)	.072 (1.83)	.050 (1.27)	.038 (0.97)	.050 (1.27)	.038 (0.97)	.062 (1.57)	-	-	.022 (0.56)	.076 (1.93)
	-02	.082 (2.08)	.062 (1.59)														
	-03	.113 (2.87)	.094 (2.39)														
	-04	.145 (3.68)	.125 (3.18)														
	-05	.207 (5.26)	.188 (4.78)														
	160-2000-01	.062 (1.57)	.031 (0.79)	.219 (5.56)	.104 (2.64)	.093 (2.36)	.125 (3.18)	.090 (2.29)	.063 (1.60)	.040 (1.02)	.063 (1.60)	.040 (1.02)	.063 (1.60)	-	-	.021 (0.53)	.093 (2.37)
	-02	.094 (2.39)	.062 (1.57)														
	-03	.125 (3.18)	.094 (2.39)														
	-04	.156 (3.96)	.125 (3.18)														
	160-1042-01	.062 (1.57)	.031 (0.79)	.281 (7.14)	.062 (1.57)	.105 (2.67)	.156 (3.96)	.090 (2.29)	.109 (2.77)	.053 (1.35)	.070 (1.78)	.048 (1.22)	.100 (2.54)	-	-	.032 (0.81)	.093 (2.37)
	-02	.094 (2.39)	.062 (1.59)														
	-03	.125 (3.18)	.094 (2.39)														
	-04	.156 (3.96)	.125 (3.18)														
	160-1520-02	.105 (2.67)	.062 (1.59)	.368 (9.09)	.109 (2.77)	.151 (3.84)	.188 (4.78)	.114 (2.90)	.145 (3.68)	.065 (1.65)	.082 (2.08)	.040 (1.02)	.094 (2.39)	-	-	.047 (1.19)	.118 (3.00)
	-03	.135 (3.43)	.094 (2.39)														
	-04	.165 (4.19)	.125 (3.18)														
	160-1579-01	.063 (1.60)	.031 (0.79)	.344 (8.74)	.110 (2.79)	.092 (2.34)	.250 (6.35)	.202 (5.13)	.141 (3.58)	.062 (1.57)	.141 (3.58)	.062 (1.57)	.156 (3.96)	-	-	.032 (0.81)	.206 (5.22)
	-02	.094 (2.39)	.062 (1.59)														
	-03	.125 (3.18)	.094 (2.39)														
	-04	.156 (3.96)	.125 (3.18)														