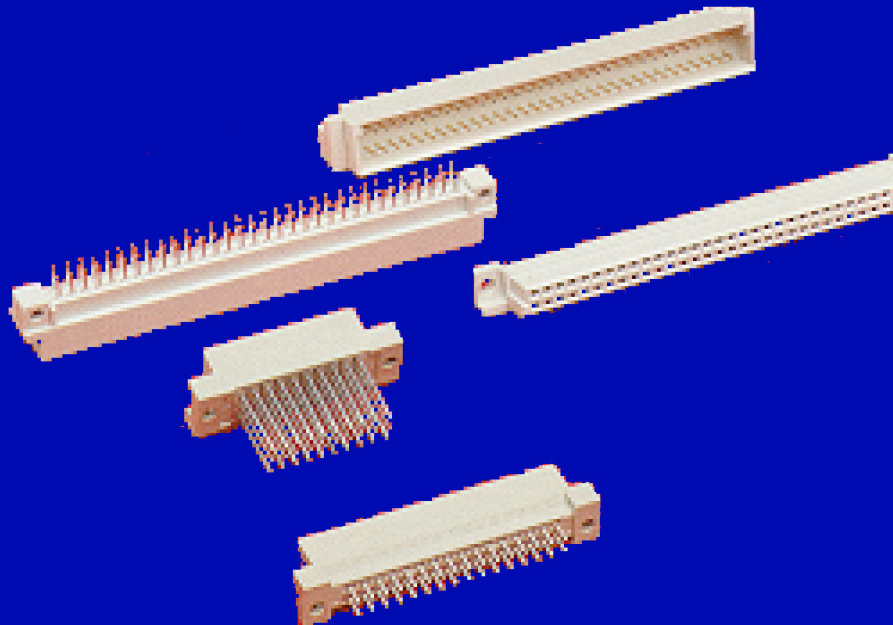




# Cambridge Connectors

a division of Cambridge Electronic Industries Ltd

## DIN 41612 Connectors



Denny Industrial Centre, Waterbeach, Cambridge CB25 9QR England

Tel: +44 (0)1223 860041 Fax: +44 (0)1223 863625

email: [sales@cambridgeconnectors.com](mailto:sales@cambridgeconnectors.com)

net: [www.cambridgeconnectors.com](http://www.cambridgeconnectors.com)

**Contents**

**Standard**

**Mixed Layout**

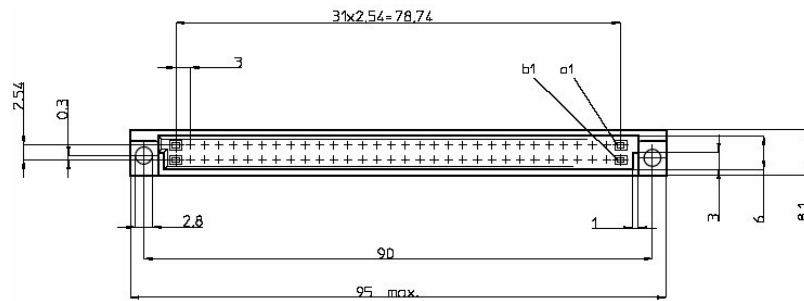
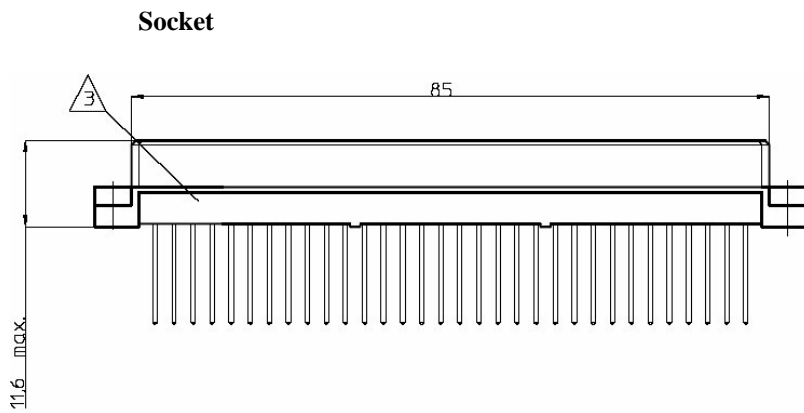
**High Current Contacts**

**High Voltage Contacts**

**Accessories**

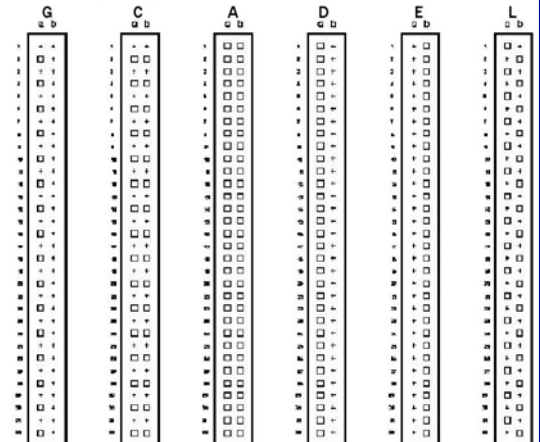
**Ordering code**

Type B

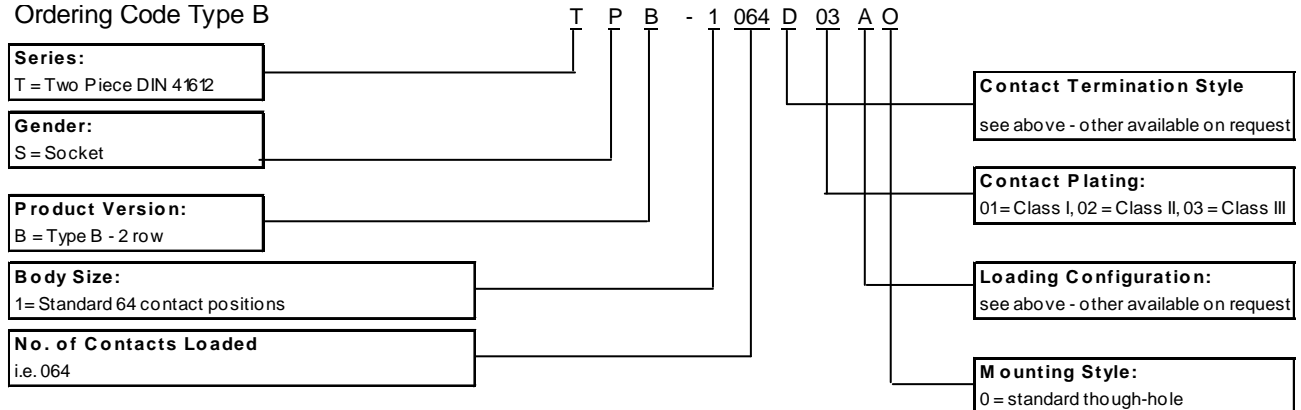


Code	Desc.	Tail Length in mm Female
A	dip solder str.	2.9
C	dip solder str.	4
W	Wire wrap str.	7.4
E	wire wrap str.	13
P	press fit str.	3.0
R	press fit str.	5
T	Press fit str.	13

Loading Configurations: - = contact loaded + = no contact



Ordering Code Type B

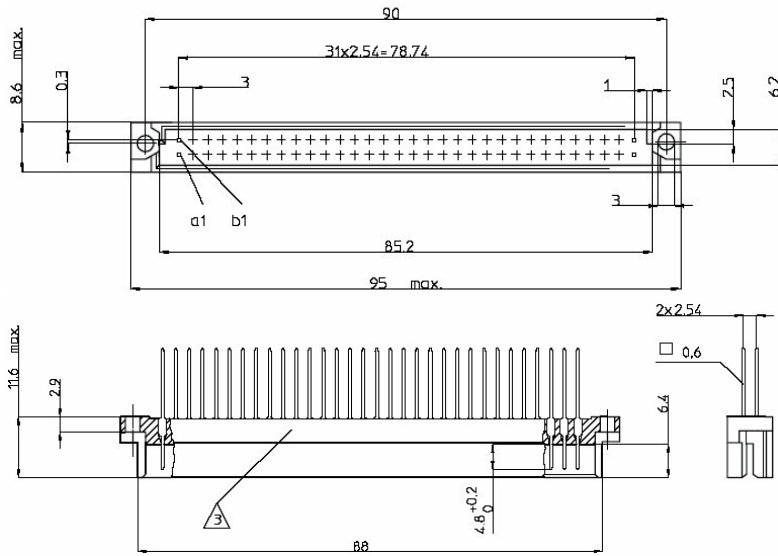


# Backplane Connectors

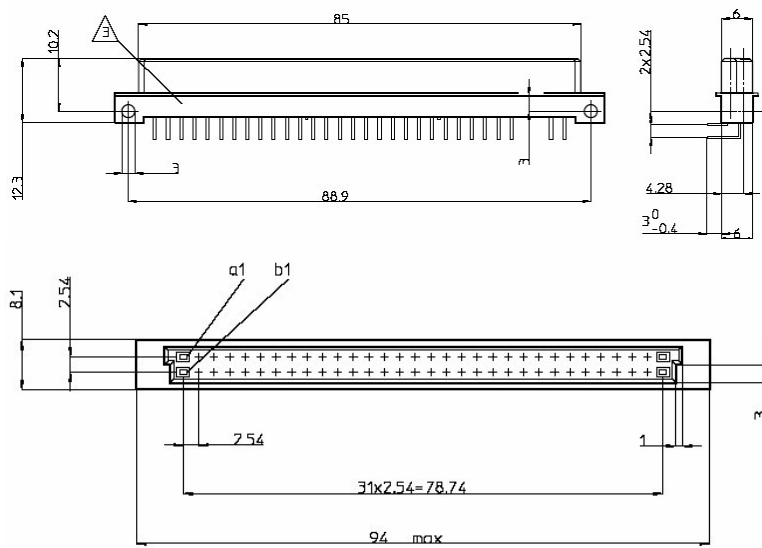
# Cambridge Connectors

## Type Q

## Plug

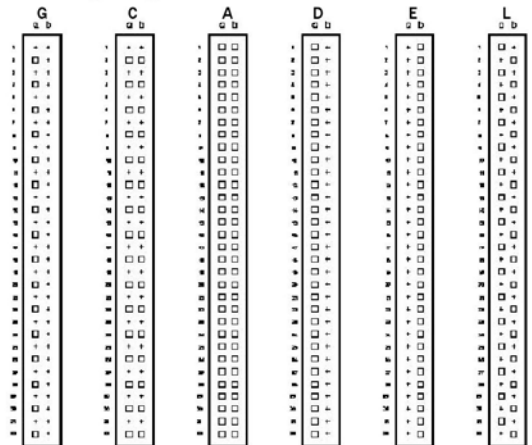


## Socket

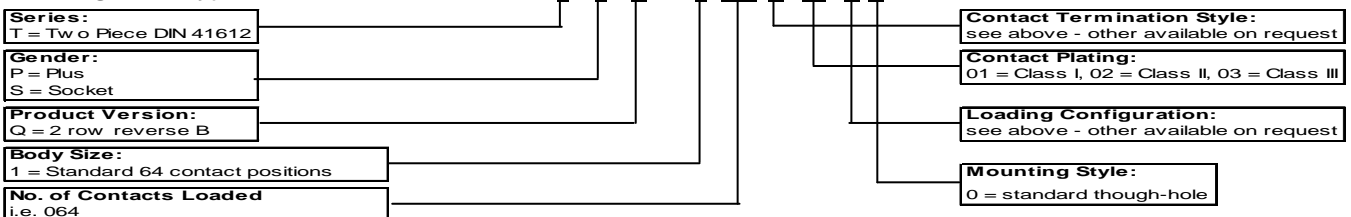


Code	Desc.	Tail Length in mm Male	Tail Length in mm Female
A	dip solder str.	2.8	
C	dip solder str.	4.5	
D	dip solder r/a		2.5
W	wire wrap str.	9.5	
E	wire wrap str.	13	

Loading Configurations: - = contact loaded + = no contact



### Ordering Code Type Q

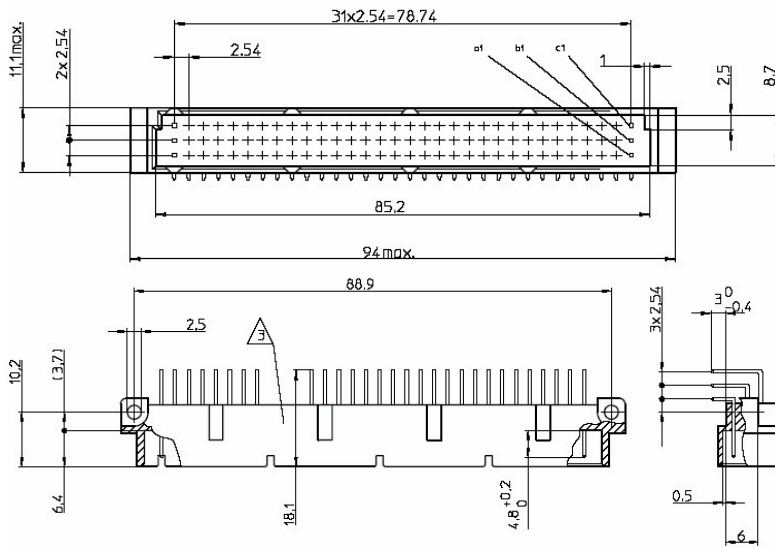


# Backplane Connectors

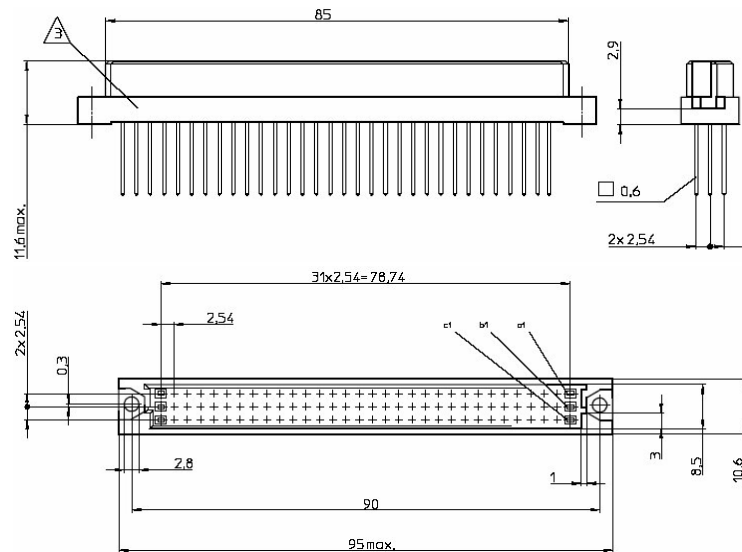
# Cambridge Connectors

## Type C

## Plug

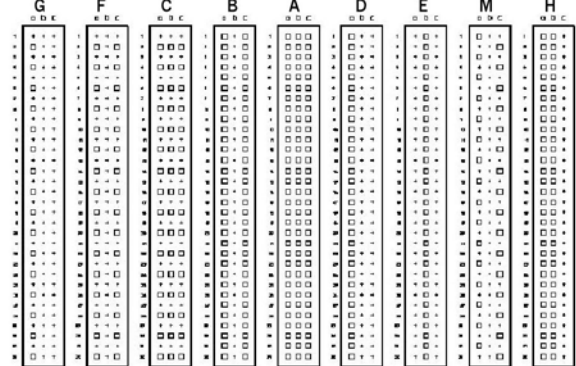


## Socket



Code	Desc.	Tail Length in mm Male	Tail Length in mm Female
A	dip solder str.	2.8	2.9
C	dip solder str.	3.7	
D	dip solder r/a	2.5	
E	wire wrap str.	14.9	13
W	wire wrap str.	9.8	7.4
R	press fit str.		5.5
T	press fit str.		13
Q	press fit r/a	2.5	

Loading Configurations: - = contact loaded + = no contact



### Ordering Code Type C

#### Series:

T = Two Piece DIN 41612

#### Gender:

P = Plus

S = Socket

#### Product Version:

C = 3 row

#### Body Size:

1 = Standard 96 contact positions

#### No. of Contacts Loaded

i.e. 096

T P C - 1 096 D 03 A O

#### Contact Termination Style:

see above - other available on request

#### Contact Plating:

01 = Class I, 02 = Class II, 03 = Class III

#### Loading Configuration:

see above - other available on request

#### Mounting Style:

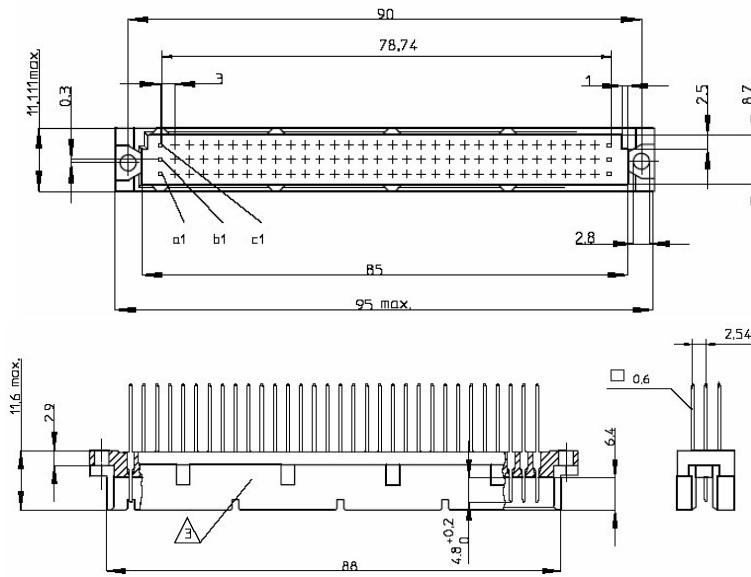
0 = standard through-hole

# Backplane Connectors

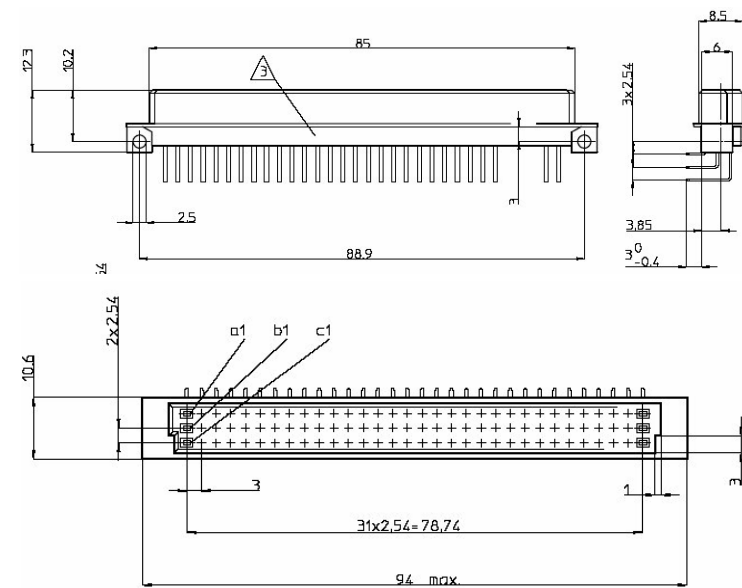
# Cambridge Connectors

## Type R

## Plug

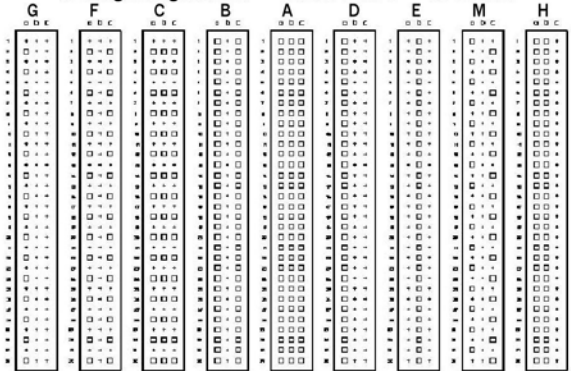


## Socket



Code	Desc.	Tail Length in mm Male	Tail Length in mm Female
A	dip solder str.	2.8	
C	dip solder str.	4.5	
D	dip solder r/a		2.5
W	wire wrap str.	9.5	
T	Wire wrap str.	13	
G	press fit str.	20	

Loading Configurations: - = contact loaded + = no contact



### Ordering Code Type R

#### Series:

T = Two Piece DIN 41612

#### Gender:

P = Plug

S = Socket

#### Product Version:

R = 3 row reverse C

#### Body Size:

1 = Standard 96 contact positions

#### No. of Contacts Loaded

i.e. 096

T P R - 1 096 C 03 A O

#### Contact Termination Style:

see above - other available on request

#### Contact Plating:

01 = Class I, 02 = Class II, 03 = Class III

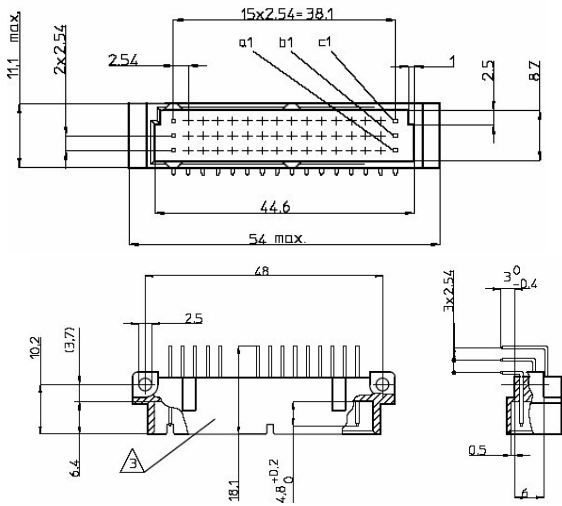
#### Loading Configuration:

see above - other available on request

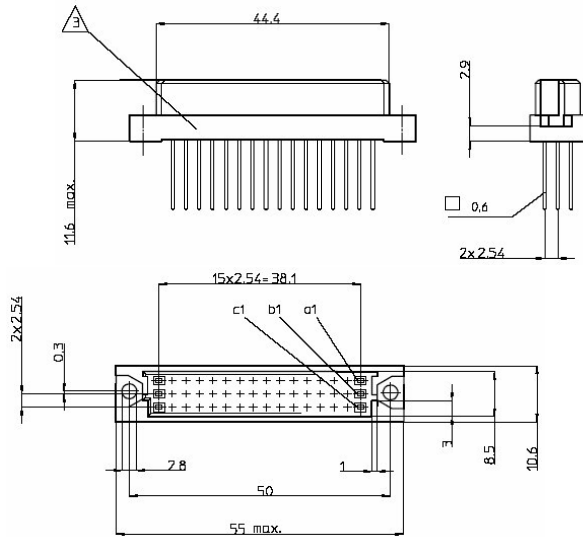
#### Mounting Style:

0 = standard through-hole

Type C/2 Plug

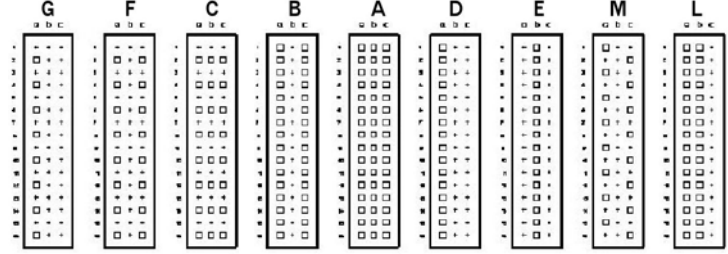


Socket

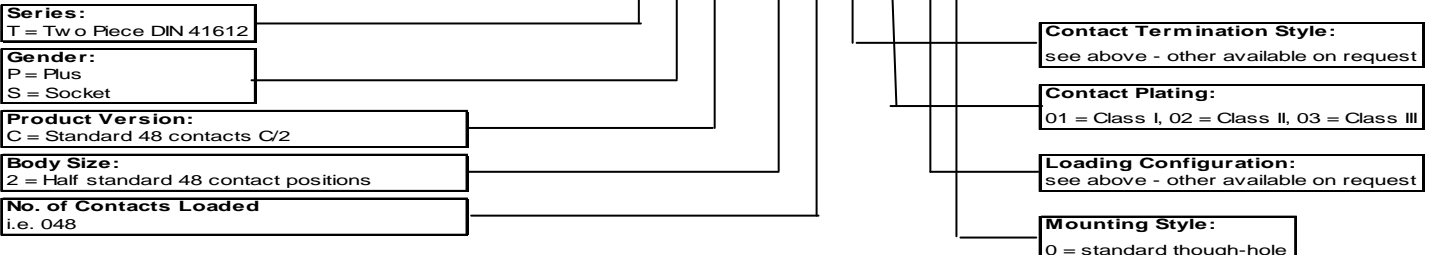


Code	Desc.	Tail Length in mm Male	Tail Length in mm Female
A	dip solder str.	2.8	2.9
C	dip solder str.	3.7	4
E	wire wrap str.		13
W	wire wrap str.	9.8	7.4
P	press fit str.		3
R	press fit str.		5
T	press fit str.		13
Q	press fit r/a	2.5	

Loading Configurations: - = contact loaded + = no contact

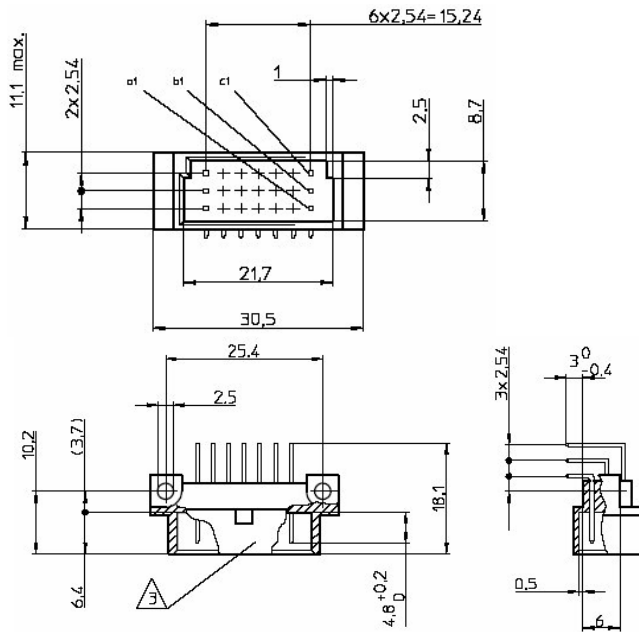


Ordering Code Type C/2

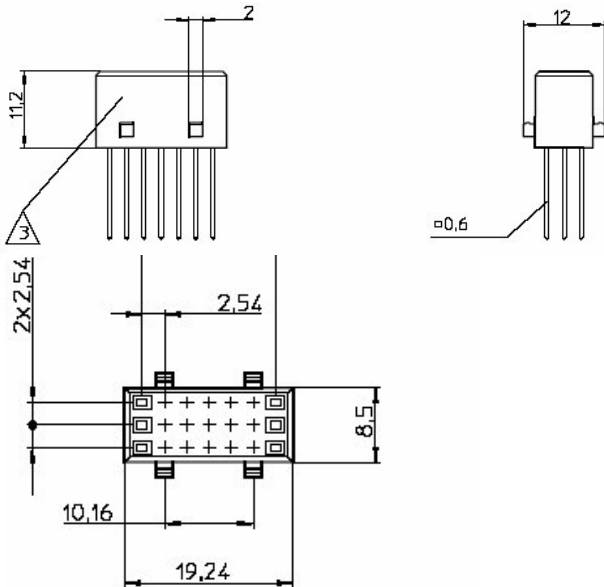


Type C/4

Plug

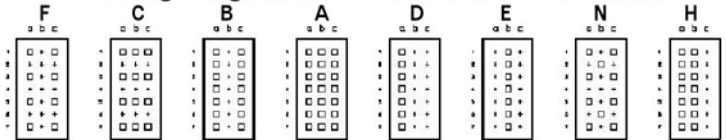


Socket



Code	Desc.	Tail Length in mm Male	Tail Length in mm Female
D	dip solder r/a	2.5	
Q	press fit r/a	2.5	
A	dip solder str.	2.8	3.3
P	press fit str.		3
C	dip solder str.	3.7	4.4
R	press fit str.		5.5
W	wire wrap str.	9.8	7.7
E	wire wrap str.	14.9	13
T	press fit str.		13

Loading Configurations: - = contact loaded + = no contact



Ordering Code Type C/4

Series:

T = Two Piece DIN 41612

Gender:

P = Plus

S = Socket

Product Version:

C = Standard 21 contacts (C/4)

Body Size:

4 = 21 contacts

No. of Contacts Loaded

i.e. 021

T P C - 4 021 D 03 A O

Contact Termination Style:

see above - other available on request

Contact Plating:

01 = Class I, 02 = Class II, 03 = Class III

Loading Configuration:

see above - other available on request

Mounting Style:

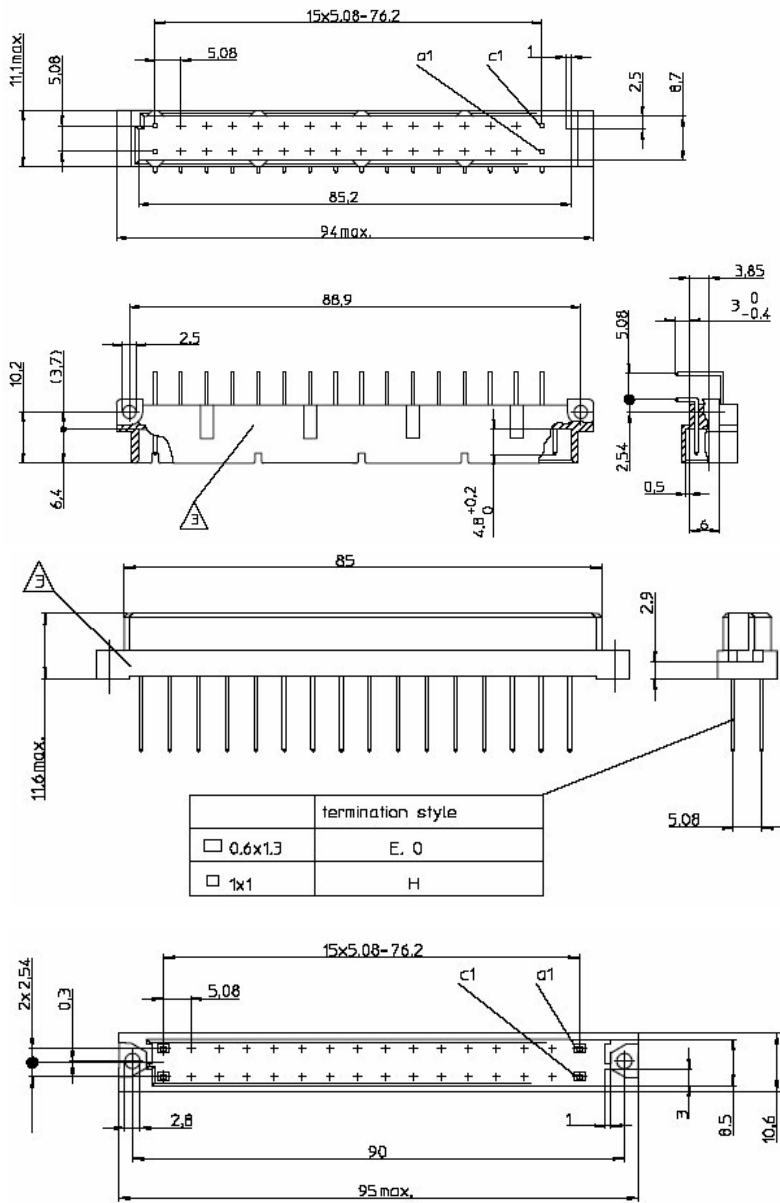
0 = standard through-hole



# Backplane Connectors

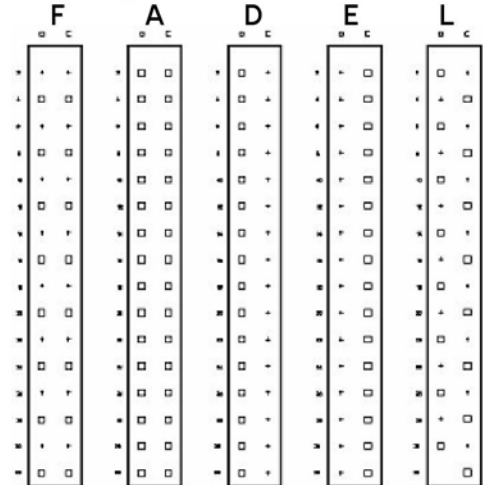
# Cambridge Connectors

## Type D Plug

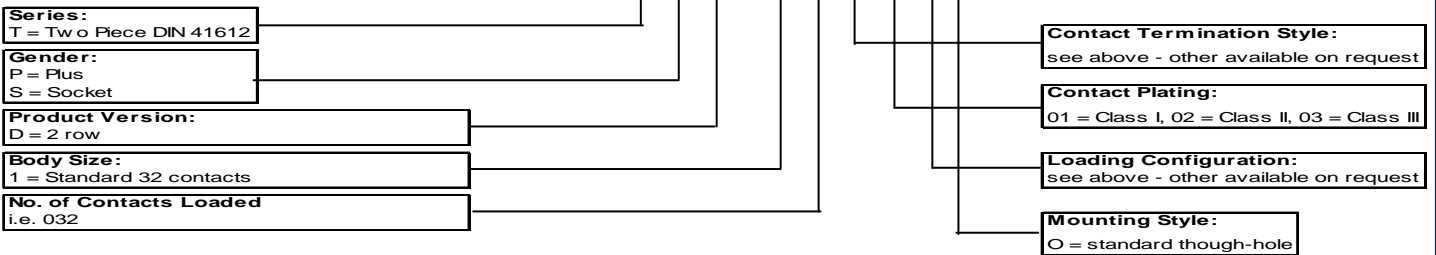


Code	Desc.	Tail Length in mm Male	Tail Length in mm Female
C	dip solder str.	4.6	4
D	dip solder r/a	3	
E	wire wrap str.	1.3	20

Loading Configurations: - = contact loaded + = no contact



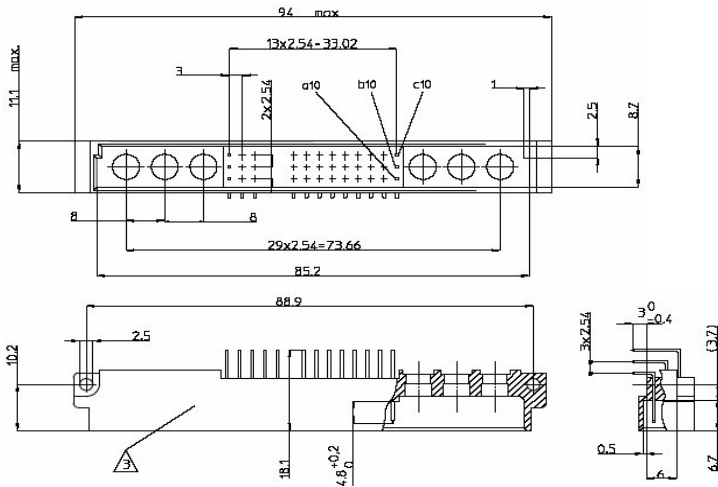
### Ordering Code Type D



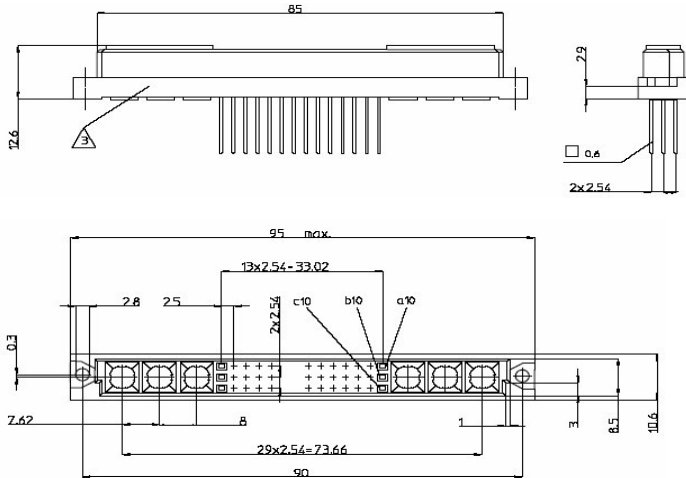
# Backplane Connectors

# Cambridge Connectors

## Type M Plug



## Socket



Code	Desc.	Tail Length in mm Male	Tail Length in mm Female
A	dip solder str.	2.8	2.9
C	dip solder str.	4.7	4
D	dip solder r/a	2.5	
E	wire wrap str.	14.9	13
W	wire wrap str.	9.8	7.4
X	wire wrap str.		17
Q	press fit r/a	2.5	

Loading Configurations			
Rows A+B+C	Rows A+C	Rows A+C odd	Rows A+C even
78+2	52+2	26+2	-
60+4	40+4	-	20+4
42+6	28+6	14+6	-
24+8	16+8	-	8+8

### Ordering Code Type M

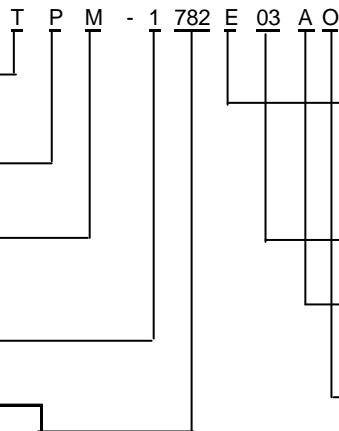
**Series:**  
T = Two Piece DIN 41612

**Gender:**  
P = Plus  
S = Socket

**Body Type:**  
M = Mixed Layout - 3 row

**Body Size:**  
1 = Standard M  
2 = M/2  
3 = M/3

**No. of Contacts Loaded**  
See loading configurations, but note that 78 + 2, 12 + 2 and so on are entered in the ording code as 782, 122 etc.



**Contact Termination Style:**  
C = dip solder - straight  
D = dip solder - right angle  
E = wire w rap - see termination styles

**Contact Plating:**  
01 = Class I

**Loading Configuration:**  
A = signal contact positions fully loaded

**Mounting Style:**  
O = standard though-hole

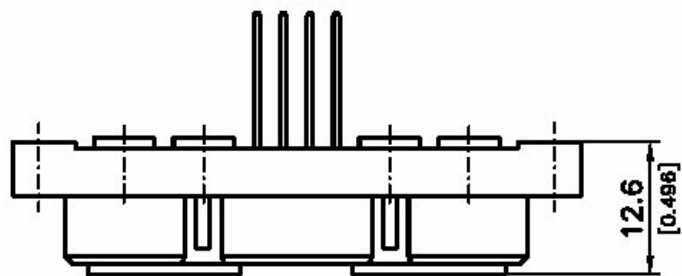
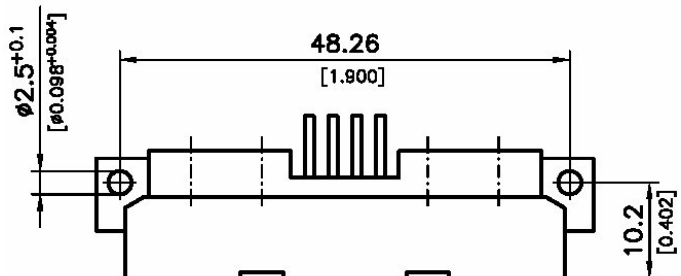
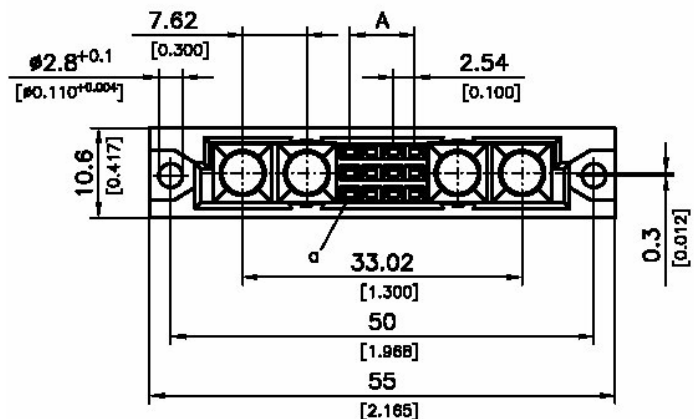
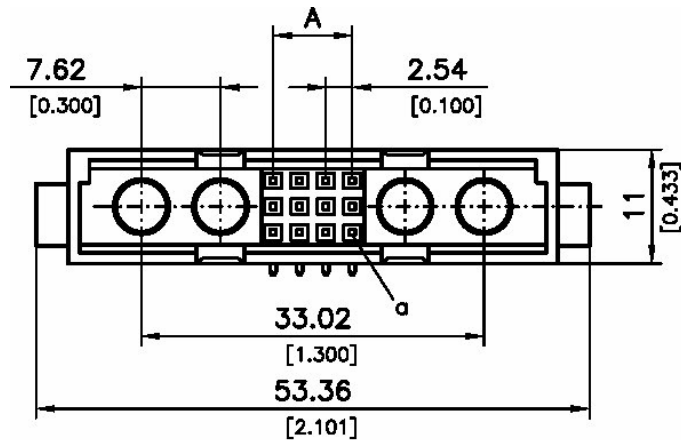
# Backplane Connectors

# Cambridge Connectors

Type M/2

Plug

Socket



### Loading Configurations

Rows A + B + C	Rows A & C only
30 + 2	20 + 2
12 + 4	8 + 4
00+5	-

Code	Desc.	Tail Length in mm Male	Tail Length in mm Female
C	dip solder str.	3	4
D	dip solder r/a	2.8	
E	wire wrap str.		12.4

### Ordering Code - type M/2

**T P M - 2 7 8 2 - E 0 3 A O**

- **Series:** \_\_\_\_\_
- **Gender:** \_\_\_\_\_
- **Body Type:** \_\_\_\_\_
- **M = Mixed Layout - 3 row**
- **Body Size:** \_\_\_\_\_
- **2 = M/2**
- **Number of contacts loaded:** \_\_\_\_\_  
See loading configurations, but note that 78 + 2, 12 + 2 and so on, are entered in the ordering code as 782, 122 etc.
- **Contact Termination Style:** \_\_\_\_\_  
C = dip solder - straight  
D = dip solder - right angle  
E = wire wrap  
see termination styles
- **Contact Plating:** \_\_\_\_\_  
01 - Class 1
- **Loading Configurations:** \_\_\_\_\_  
A = Signal contact positions fully loaded
- **Mounting Style:** \_\_\_\_\_  
O = Standard through-hole

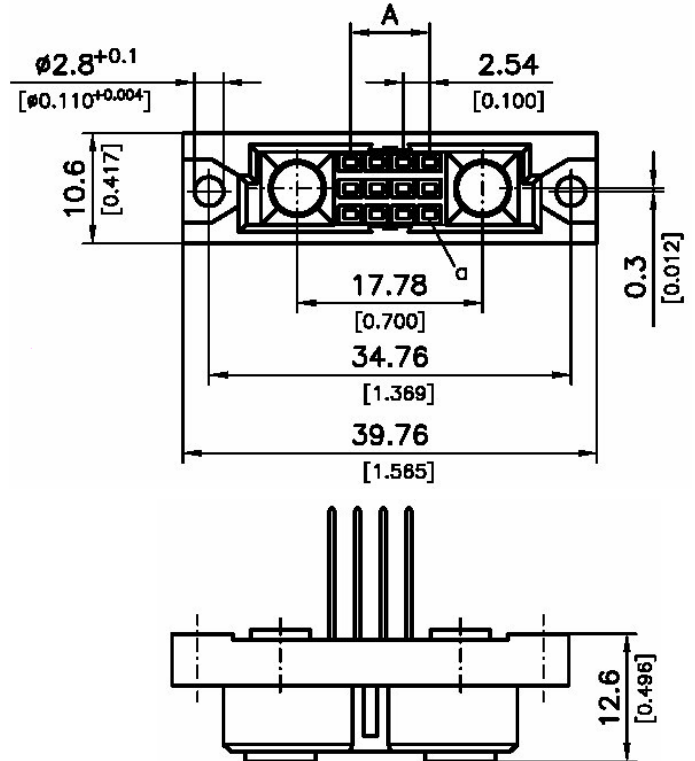
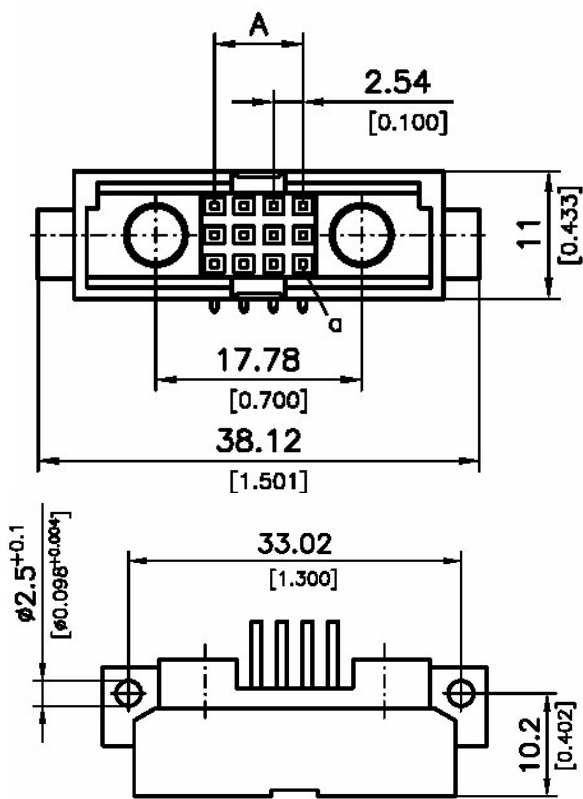
# Backplane Connectors

# Cambridge Connectors

Type M/3

Plug

Socket



Loading Configurations

Rows A + B + C	Rows A & C only
12 + 2	8 + 2

Code	Desc.	Tail Length in mm Male	Tail Length in mm Female
C	dip solder str.	3	4
D	dip solder r/a	2.8	
E	wire wrap str.		12.4

## Ordering Code - type M/3

**T P M - 3 7 8 2 - E 0 3 A O**

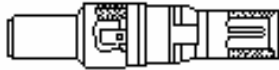
- **Series:** \_\_\_\_\_  
T = DIN 41612
- **Gender:** \_\_\_\_\_  
P = Plug  
S = Socket
- **Body Type:** \_\_\_\_\_
- M = Mixed Layout - 3 row
- **Body Size:** \_\_\_\_\_
- 3 = M/3
- **Number of contacts loaded:** \_\_\_\_\_  
See loading configurations, but note that 78 + 2, 12 + 2 and so on, are entered in the ordering code as 782, 122 etc.
- **Contact Termination Style:** \_\_\_\_\_  
C = dip solder - straight  
D = dip solder - right angle  
E = wire wrap  
see termination styles
- **Contact Plating:** \_\_\_\_\_  
01 - Class 1
- **Loading Configurations:** \_\_\_\_\_  
A = Signal contact positions fully loaded
- **Mounting Style:** \_\_\_\_\_  
O = Standard through-hole



**Coaxial** cable plug - straight - 50 Ohm.  
 inner conductor: solder  
 outer conductor: crimp or solder  
 P/No. 31T-0001-16 for cables RG178 BU, RG196 AU  
 P/No. 31T-0002-16 for cables RG174 U, RG188 AU, RG316U



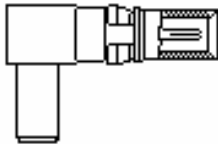
**Coaxial** cable socket - straight - 50 Ohm.  
 inner conductor: solder  
 outer conductor: crimp or solder  
 P/No. 31T-0005-16 for cables RG178 BU, RG196 AU  
 P/No. 31T-0006-16 for cables RG174 U, RG188 AU, RG316U



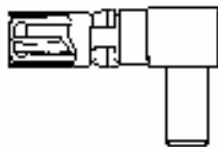
**Coaxial** cable plug - straight - 50 Ohm.  
 inner conductor: crimp  
 outer conductor: crimp  
 P/No. 31T-0014-16 for cables RG178 BU, RG196 AU  
 P/No. 31T-0015-16 for cables RG174 U, RG188 AU, RG316U



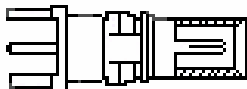
**Coaxial** cable socket - straight - 50 Ohm.  
 inner conductor: crimp  
 outer conductor: crimp  
 P/No. 31T-0016-16 for cables RG178 BU, RG196 AU  
 P/No. 31T-0017-16 for cables RG174 U, RG188 AU, RG316U



**Coaxial** cable plug - right angle - 50 Ohm.  
 inner conductor: solder  
 outer conductor: crimp or solder  
 P/No. 31T-0003-16 for cables RG178 BU, RG196 AU  
 P/No. 31T-0004-16 for cables RG174 U, RG188 AU, RG316U



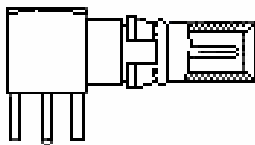
**Coaxial** cable socket - right angle - 50 Ohm.  
 inner conductor: solder  
 outer conductor: crimp or solder  
 P/No. 31T-0007-16 for cables RG178 BU, RG196 AU  
 P/No. 31T-0008-16 for cables RG174 U, RG188 AU, RG316U



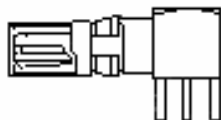
**Coaxial** PCB plug - straight - 50 Ohm.  
 5 solder points  
 P/No. 31T-0018-16      Cable not applicable



**Coaxial** PCB socket - straight - 50 Ohm.  
 5 solder points  
 P/No. 31T-0019-16      Cable not applicable.



**Coaxial** PCB plug - right angle - 50 Ohm  
 5 solder points  
 P/No. 31T-0009-16      Cable not applicable

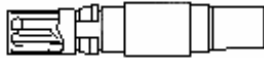


**Coaxial** PCB socket - right angle - 50 Ohm.  
 5 solder points  
 P/No. 31T-0010-16      Cable not applicable.



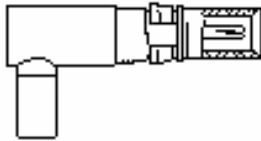
**Coaxial** cable plug - straight - 75 Ohm.  
inner conductor: solder  
outer conductor: crimp or solder

P/No. 31T-0020-16 for cables RG179 BU, RG187 AU



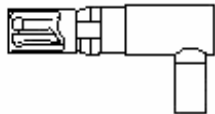
**Coaxial** cable socket - straight - 75 Ohm.  
inner conductor: solder  
outer conductor: crimp or solder

P/No. 31T-0021-16 for cables RG179 BU, RG187 AU



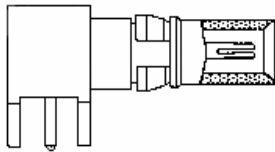
**Coaxial** cable plug - right angle - 75 Ohm.  
inner conductor: solder  
outer conductor: crimp or solder

P/No. 31T-0022-16 for cables RG179 BU, RG187 AU



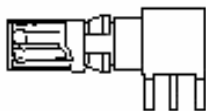
**Coaxial** cable socket - right angle - 75 Ohm.  
inner conductor: solder  
outer conductor: crimp or solder

P/No. 31T-0023-16 for cables RG179 BU, RG187 AU



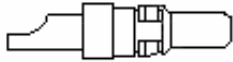
**Coaxial** PCB plug - right angle - 75 Ohm.  
5 solder points

P/No. 31T-0024-16      Cable not applicable.



**Coaxial** PCB socket - right angle 75 ohm.  
5 solder points

P/No. 31T-0025-16      Cable not applicable.



**High power** cable plug - straight  
solder termination

P/No. 31T-0040-18 current rating 10A wire size AWG16-20

P/No. 31T-0036-18 current rating 20A wire size AWG12-14

P/No. 31T-0039-18 current rating 40A wire size AWG 8-10

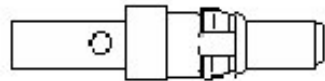


**High power** cable socket - straight  
solder termination

P/No. 31T-0034-18 current rating 10A wire size AWG16-20

P/No. 31T-0035-18 current rating 20A wire size AWG12-14

P/No. 31T-0030-18 current rating 40A wire size AWG 8-10



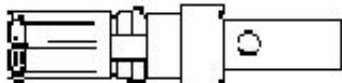
**High power** cable plug - straight  
crimp termination

P/No. 31T-0042-18 current rating 10A wire size AWG16-20

P/No. 31T-0043-18 current rating 20A wire size AWG12-14

P/No. 31T-0044-18 current rating 40A wire size AWG 8-10

P/No. 31T-0045-18 current rating 30A AWG10-14



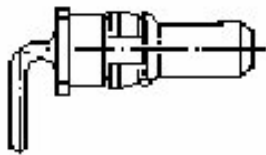
**High power** cable socket - straight  
crimp termination

P/No. 31T-0031-18 current rating 10A wire size AWG16-20

P/No. 31T-0032-18 current rating 20A wire size AWG12-14

P/No. 31T-0033-18 current rating 40A wire size AWG 8-10

P/No. 31T-0046-18 current rating 30A wire size AWG10-14



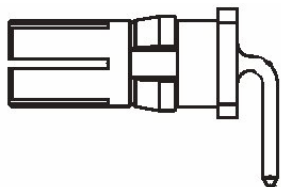
**High power** PCB plug - right angle  
current rating 10A

1 solder point

P/No. 31T-0026-18 current rating 10A

P/No. 31T-0049-18 current rating 20A

P/No. 31T-0047-18 current rating 40A

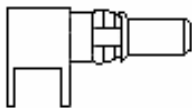


High Power PCB socket - right angle 1 solder point

P/No. 31T-0051-18 10A

P/No. 31T-0050-18 20A

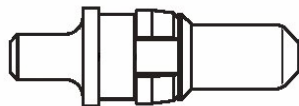
P/No. 31T-0037-18 40A



**High power** PCB plug - right angle  
current rating 40A

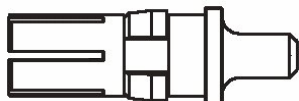
4 solder points

P/No. 31T-0027-18 current rating 40A



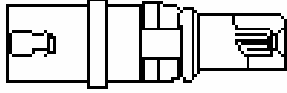
**High power** PCB plug - straight

P/No. 31T-0041-18 current rating 20A



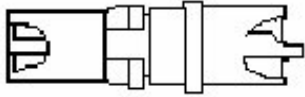
**High power** PCB socket - straight

P/No. 31T-0048-18 current rating 20A



**High voltage** cable plug - right angle  
solder termination  
current rating 1,5A

P/No. 31D-0190-22 for cables  $\leq$  AWG 20



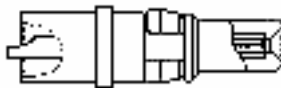
**High voltage** cable socket - straight  
solder termination  
current rating 1,5A

P/No. 31D-0189-22 for cables  $\leq$  AWG 20



**High voltage** cable socket - right angle  
solder termination  
current rating 1,5A

P/No. 31D-0191-22 for cables  $\leq$  AWG 20



**High voltage** cable plug - straight  
solder termination  
current rating 1,5A

P/No. 31D-0188-22 for cables  $\leq$  AWG 20

**Note:** Coaxial, high power and high voltage contacts shown in these pages are part numbered to include standard contact plating. Other platings are available. Please contact our Sales Department for further information.



## Specifications

<b>TYPE B</b>	IEC 603	DIN 41612
<b>MATERIALS</b>		
Connector body	Glass fibre filled polyester	
Female contact	Phosphor bronze	
Male contact	Copper alloy	
Contact plating	Nickel all over + hard gold MIL-G-45204B Type II (99.0% gold minimum) Grade C (Knoop hardness 130-200)	
<b>ELECTRIC DATA</b>		
Current rating	1.5A at 20°C 1A at 80°C 0.75A at 100°C	
Proof voltage	Contact/contact 1000 V (rms) Contact/test panel 1550V (rms)	
Insulation resistance	≥ 10 <sup>6</sup> MΩ	
Contact resistance	≤ 20 MΩ	
<b>PHYSICAL DATA</b>		
Temperature range	-55°C - +125°C	
Flammability	UL 94 V-O	
Insertion Force	32 pole ≤ 30 N 64 pole ≤ 60 N	
Retention force	≥ 0.15 N/contact pair	
Mechanical endurance, salt mist, industrial atmosphere and other requirements according to IEC 603		
<b>QUALITY DATA</b>		
Contact surface mechanically polished. Dual-beam female contact profiled to trapezoidal form		

First make - last break option available on male pins

<b>TYPE Q</b>	IEC 603	DIN 41612
<b>MATERIALS</b>		
Connector body	Glass fibre filled polyester	
Female contact	Phosphor bronze	
Male contact	Copper alloy	
Contact plating	Nickel all over + hard gold MIL-G-45204B Type II (99.0% gold minimum) Grade C (Knoop hardness 130-200)	
<b>ELECTRIC DATA</b>		
Current rating	1.5A at 20°C 1A at 80°C 0.75A at 100°C	
Proof voltage	Contact/contact 1000 V (rms) Contact/test panel 1550V (rms)	
Insulation resistance	≥ 10 <sup>6</sup> MΩ	
Contact resistance	≤ 20 MΩ	
Minimum distance between	Creepage	Clearance
- adjacent contacts	1.2mm	1.2mm
- contact and chassis	1.8mm	1.6mm
<b>PHYSICAL DATA</b>		
Temperature range	-55°C - +125°C	
Flammability	UL 94 V-O	
Insertion Force	32 pole ≤ 30 N 64 pole ≤ 60 N	
Retention force	≥ 0.15 N/contact pair	
Mechanical endurance, salt mist, industrial atmosphere and other requirements according to IEC 603		
<b>QUALITY DATA</b>		
Contact surface mechanically polished. Dual-beam female contact profiled to trapezoidal form		

First make - last break option available on male pins

## Specifications

<b>TYPE C</b>	IEC 603    DIN 41612
	DIN41612
<b>MATERIALS</b>	
Connector body	Glass fibre filed polyester
Female contact	Phosphor bronze
Male contact	Copper alloy
Contact plating	Nickel all over + hard gold MIL-G-45204B Type II (99.0% gold minimum) Grade C (Knoop hardness 130-200)
<b>ELECTRIC DATA</b>	
Current rating	1.5A at 20°C 1A at 80°C 0.75A at 100°C
Proof voltage	Contact/contact 1000 V (rms) Contact/test panel 1550V (rms)
Insulation resistance	$\geq 10^6 \text{ M}\Omega$
Contact resistance	$\leq 20 \text{ M}\Omega$
<b>PHYSICAL DATA</b>	
Temperature range	-55°C - +125°C
Flammability	UL 94 V-O
Insertion Force	32 pole $\leq 30 \text{ N}$ 64 pole $\leq 60 \text{ N}$ 96 pole $\leq 90 \text{ N}$
Retention force	$\geq 0.15 \text{ N/contact pair}$
Mechanical endurance, salt mist, industrial atmosphere and other requirements according to IEC 603	
<b>QUALITY DATA</b>	
Contact surface mechanically polished. Dual-beam female contact profiled to trapezoidal form	
First make - last break option available on male pins	

<b>TYPE R</b>	
	REVERSED IEC 603 DIN 41612
<b>MATERIALS</b>	
Connector body	Glass fibre filed polyester
Female contact	Phosphor bronze
Male contact	Copper alloy
Contact plating	Nickel all over + hard gold MIL-G-45204B Type II (99.0% gold minimum) Grade C (Knoop hardness 130-200)
<b>ELECTRIC DATA</b>	
Current rating	1.5A at 20°C    1A at 80°C    0.75A at 100°C
Proof voltage	Contact/contact 1000 V (rms) Contact/test panel 1550V (rms)
Insulation resistance	$\geq 10^6 \text{ M}\Omega$
Contact resistance	$\leq 20 \text{ M}\Omega$
<b>PHYSICAL DATA</b>	
Temperature range	-55°C - +125°C
Flammability	UL 94 V-O
Insertion Force	32 pole $\leq 30 \text{ N}$ 64 pole $\leq 60 \text{ N}$ 96 pole $\leq 90 \text{ N}$
Retention force	$\geq 0.15 \text{ N/contact pair}$
Mechanical endurance, salt mist, industrial atmosphere and other requirements according to IEC 603	
<b>QUALITY DATA</b>	
Contact surface mechanically polished. Dual-beam female contact profiled to trapezoidal form	
First make - last break option available on male pins	

## Specifications

**TYPE C/2 C/4**

Half length of Type C in IEC 603 and DIN 41612

**MATERIALS**

Connector body	Glass fibre filled polyester
Female contact	Phosphor bronze
Male contact	Copper alloy
Contact plating	Nickel all over + hard gold MIL-G-45204B Type II (99.0% gold minimum) Grade C (Knoop hardness 130-200)

**ELECTRIC DATA**

Current rating	1.5A at 20°C	1A at 80°C	0.75A at 100°C
Proof voltage	Contact/contact 1000 V (rms) Contact/test panel 1550V (rms)		

Insulation resistance  $\geq 10^6 \text{ M}\Omega$

Contact resistance  $\leq 20 \text{ M}\Omega$

**PHYSICAL DATA**

Temperature range -55°C - +125°C

Flammability UL 94 V-O

Insertion Force  
32 pole  $\leq 30 \text{ N}$   
48 pole  $\leq 50 \text{ N}$

Retention force  $\geq 0.15 \text{ N/contact pair}$

Mechanical endurance, salt mist, industrial atmosphere and other requirements according to IEC 603

**QUALITY DATA**

Contact surface mechanically polished. Dual-beam female contact profiled to trapezoidal form

First make - last break option available on male pins

**TYPE D**

IEC 603 DIN 41612

**MATERIALS**

Connector body	Glass fibre filled polyester
Female contact	Phosphor bronze
Male contact	Copper alloy
Contact plating	Nickel all over + hard gold MIL-G-45204B Type II (99.0% gold minimum) Grade C (Knoop hardness 130-200)

**ELECTRIC DATA**

Current rating	1.5A at 20°C	1A at 80°C	0.75A at 100°C
Proof voltage	Contact/contact 1000 V (rms) Contact/test panel 1550V (rms)		

Insulation resistance  $\geq 10^6 \text{ M}\Omega$

Contact resistance  $\leq 20 \text{ M}\Omega$

Minimum distance between	Creepage	Clearance
- adjacent contacts	3.0mm	3.0mm
- contact and chassis	1.8mm	1.6mm

**PHYSICAL DATA**

Temperature range -55°C - +125°C

Flammability UL 94 V-O

Insertion Force 32 pole  $\leq 30 \text{ N}$

Retention force  $\geq 0.15 \text{ N/contact pair}$

Mechanical endurance, salt mist, industrial atmosphere and other requirements according to IEC 603

**QUALITY DATA**

Contact surface mechanically polished. Dual-beam female contact profiled to trapezoidal form

## DIN Connector Specifications

### TYPE M M/2 M/3

IEC 603

DIN 41612

### MATERIALS

Connector body	Glass fibre filled polyester
Female contact	Phosphor bronze
Male contact	Copper alloy
Contact plating	Nickel all over + hard gold MIL-G-45204B Type II (99.0% gold minimum) Grade C (Knoop hardness 130-200)

### ELECTRIC DATA

Current rating	1.5A at 20°C 1A at 80°C 0.75A at 100°C
Proof voltage	Contact/contact 1000 V (rms) Contact/test panel 1550V (rms)
Insulation resistance	$\geq 10^6 \text{ M}\Omega$
Contact resistance	$\leq 20 \text{ M}\Omega$

### PHYSICAL DATA

Temperature range	-55°C - +125°C
Flammability	UL 94 V-O
Insertion Force	42 pole $\leq 40 \text{ N}$ 60 pole $\leq 57 \text{ N}$ 78 pole $\leq 74 \text{ N}$
Retention force	$\geq 0.15 \text{ N/contact pair}$
Mechanical endurance, salt mist, industrial atmosphere and other requirements according to IEC 603	

### QUALITY DATA

Contact surface mechanically polished. Dual-beam female contact profiled to trapezoidal form

First make - last break option available on male pins

## DIN Mixed Layout Contact Specifications

COAXIAL CONTACTS		HIGH POWER CONTACTS	
<b>MATERIALS</b>		<b>MATERIALS</b>	
Plug	Cu Alloy	Pin contact	Cu Alloy
Socket	Cu Alloy	Socket contact	Cu Alloy
Retaining Clip	PI	Retaining Clip	Cu Alloy
Insulators	PTFE		
<b>ELECTRICAL DATA</b>		<b>ELECTRICAL DATA</b>	
Insulation resistance	$\geq 2 * 10^7 \text{ M}\Omega$	Contact resistance	$\leq 1 \text{ M}\Omega$
Contact resistance outer conductor	$\leq 3 \text{ M}\Omega$	Current rating (DC)	10 - 40A
Proof voltage	4 kV / 50 Hz	<b>MECHANICAL DATA</b>	
Operating voltage	$\leq 3 \text{ kV}$	Mating force (pair of contacts)	$\leq 7\text{N}$
<b>MECHANICAL DATA</b>		Unmating force	ca. 5N
Mating force (pair of contacts)	$\leq 5 \text{ N}$	Temperature range (test category 55/155/21 to DIN, IEC 68 part 1)	-67°F to 311°F
Unmating force	ca. 2.5 N	Mating cycles (standard)	$\geq 500$
Temperature range	-67°F to 257°F	Mating cycles (low cost)	$\geq 200$
Mating cycles	$\geq 500$	Note: First make - last break option available on male contacts.	

HIGH VOLTAGE CONTACTS	
<b>MATERIALS</b>	
Outer Conductor	Cu Alloy
Inner Conductor	Cu Alloy
Retaining Clip	Cu Alloy
Insulators	PTFE/PBTP/PI
<b>ELECTRICAL DATA</b>	
Characteristic impedance	50Ω / 75Ω
Insulation resistance	$10^7 \text{ M}\Omega$
Contact resistance inner conductor	$\leq 2.7 \text{ M}\Omega$
Contact resistance outer conductor	$\leq 2.7 \text{ M}\Omega$
Proof voltage	750V / 50Hz
Current rating (DC)	2A
<b>MECHANICAL DATA</b>	
Mating and unmating force (pair of contacts)	$\leq 7\text{N}$
Recommended temperature range	-67°F to 275°F
Mating cycles (standard)	$\geq 500$
Mating cycles (low cost)	$\geq 200$

**Contents**

**Locking Frames**

**Housing for C/4 Connector**

**Housings - Cable and Stackable for C, D and R bodies**

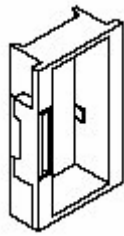
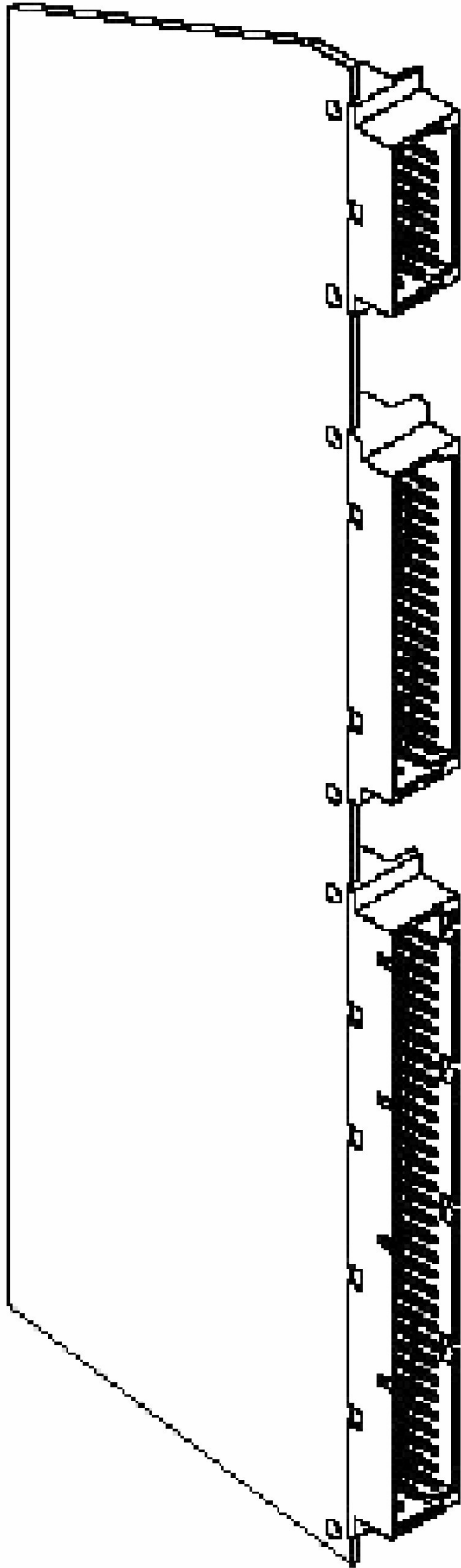
**Guide Frame for Cable Housing**

**Guide Parts for Cable Housing**

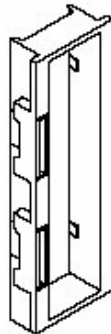
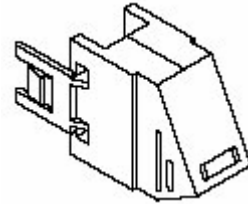
**Shrouds**

**Latch**

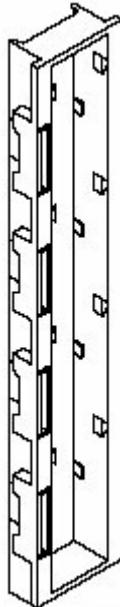
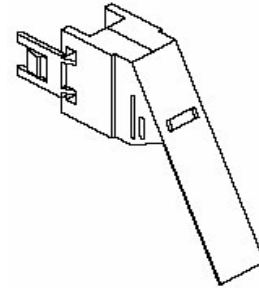
LOCKING FRAMES



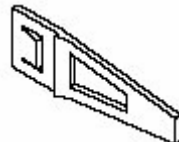
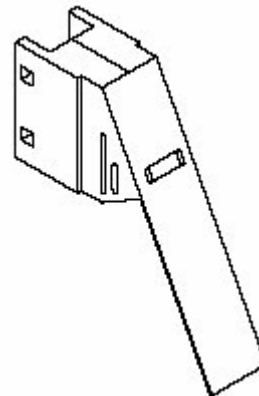
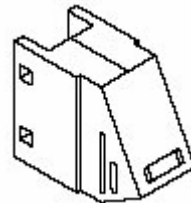
C-ST-008



C-ST-039



C-ST-006

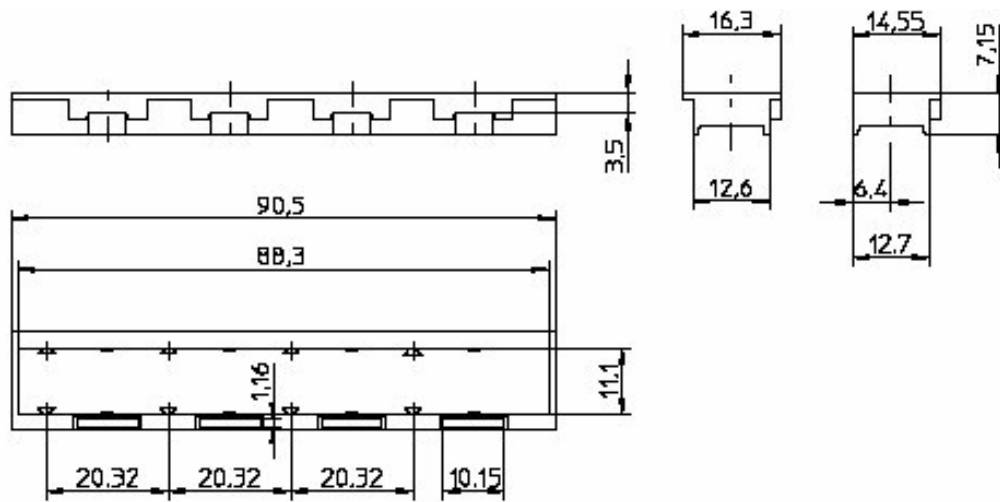


**LOCKING FRAMES**

Locking frames for backpanel shrouds and male connectors

Ordering Code:

**C-ST-006**



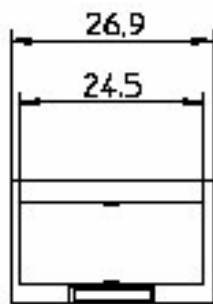
Ordering Code:

**C-ST-039**



Ordering Code:

**C-ST-008**



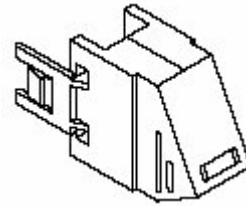
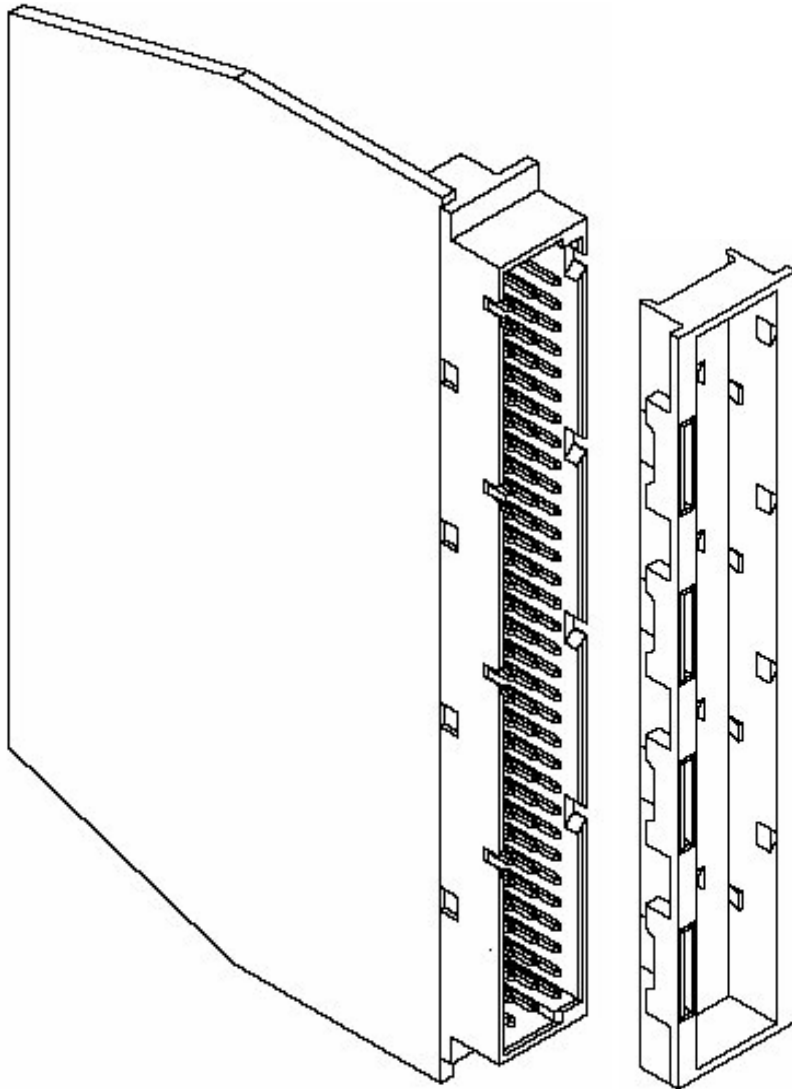
Material: Glass fibre filled polyester

Flammability: UL 94 V-O

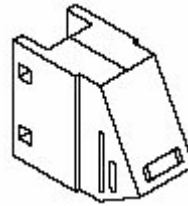
Colour: Grey



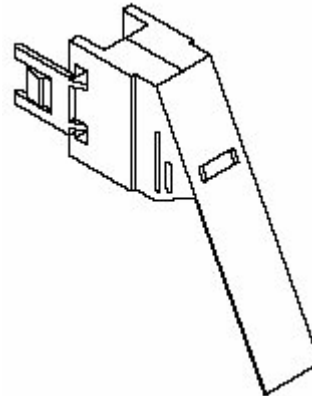
HOUSING FOR C/4 CONNECTOR



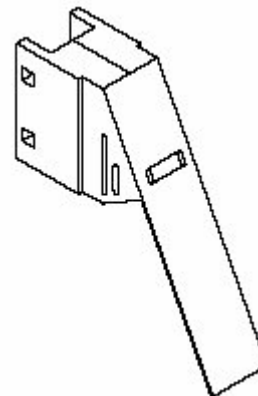
C-ST-005



C-ST-009

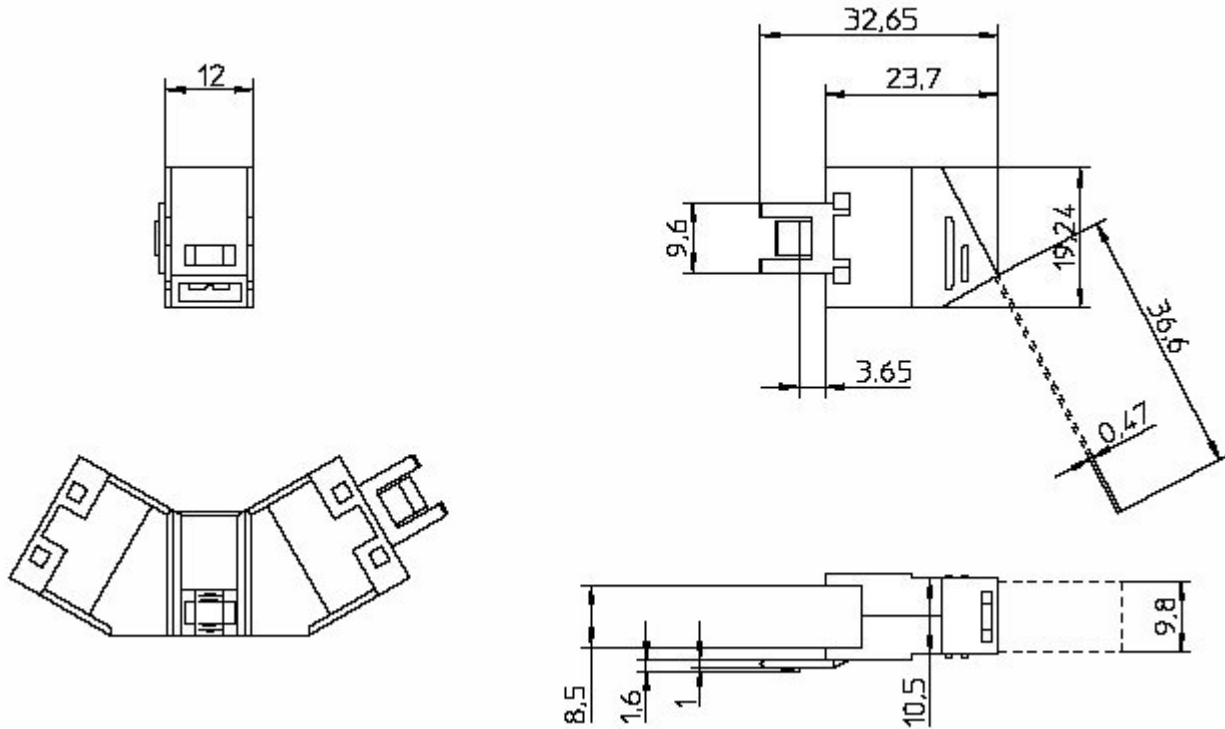


C-ST-040



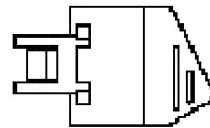
C-ST-041

HOUSING FOR C/4 FEMALE CONNECTORS

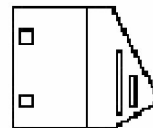


Ordering Code: White

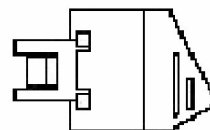
C-ST-005



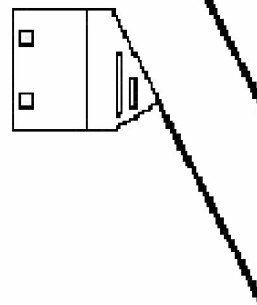
C-ST-009



C-ST-040



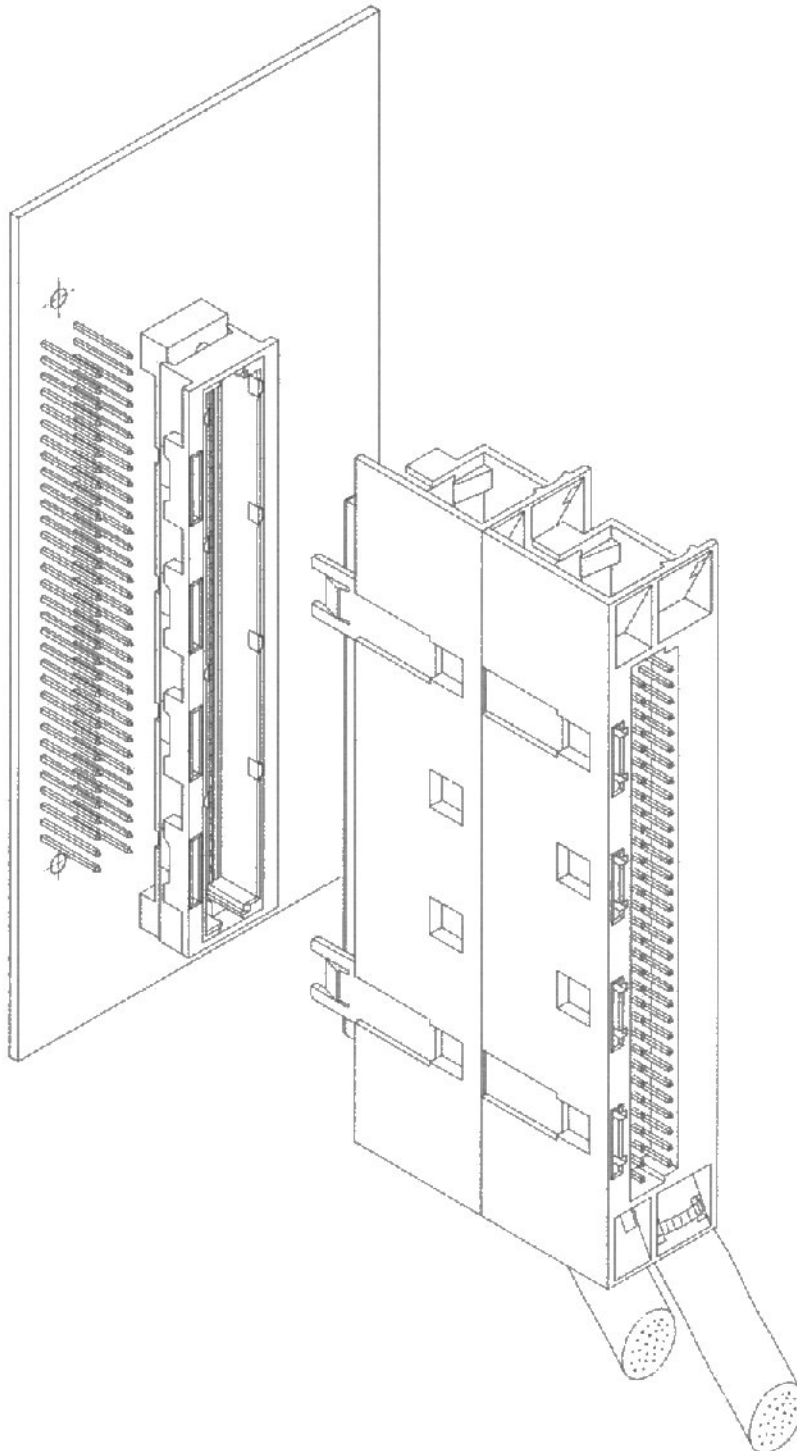
C-ST-041



Material: Polyamide

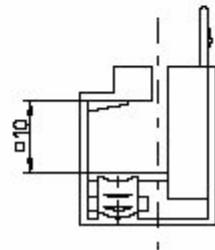
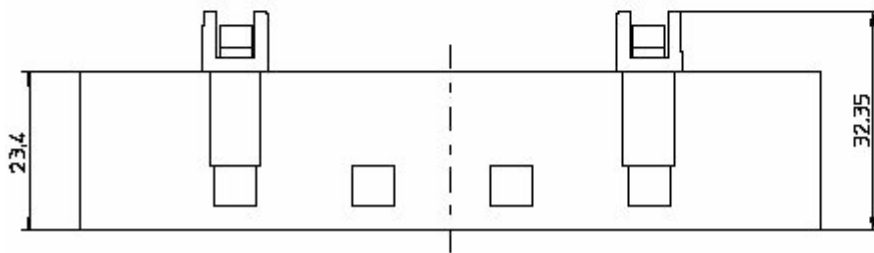
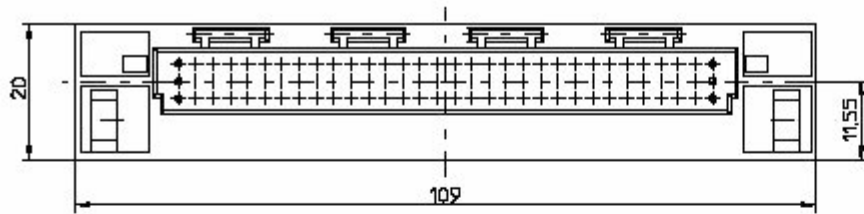
Flammability: UL 94 V-O

STACKABLE HOUSING FOR C CONNECTOR

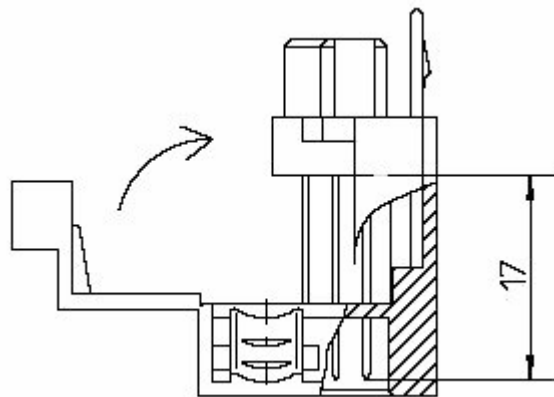


C-ST-026

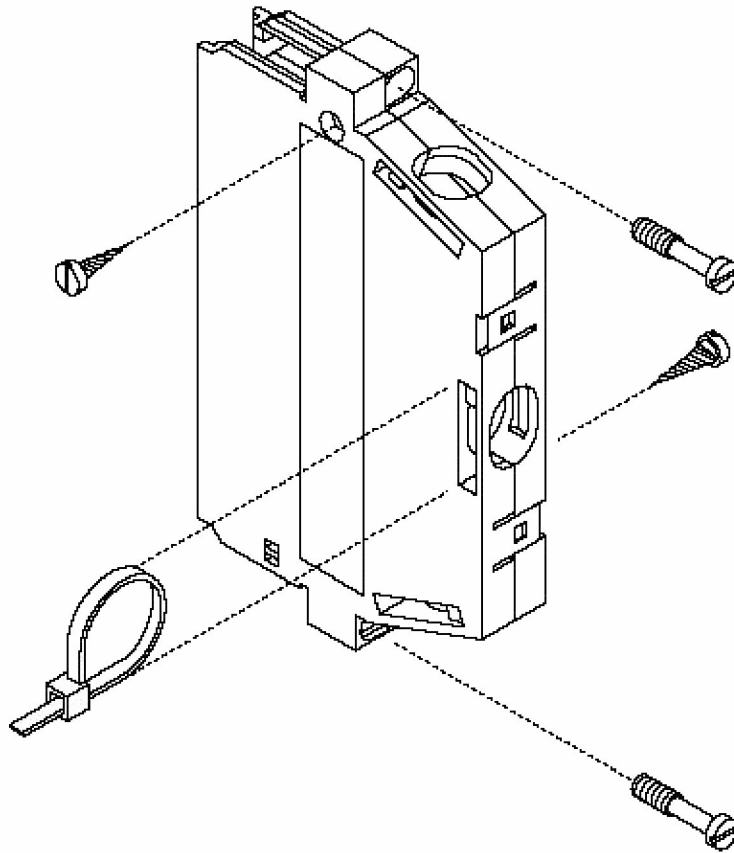
STACKABLE HOUSING FOR C FEMALE CONNECTOR



Ordering Code: C-ST-026  
 Material: PA  
 Flammability: UL 94 V-O  
 Colour: Black

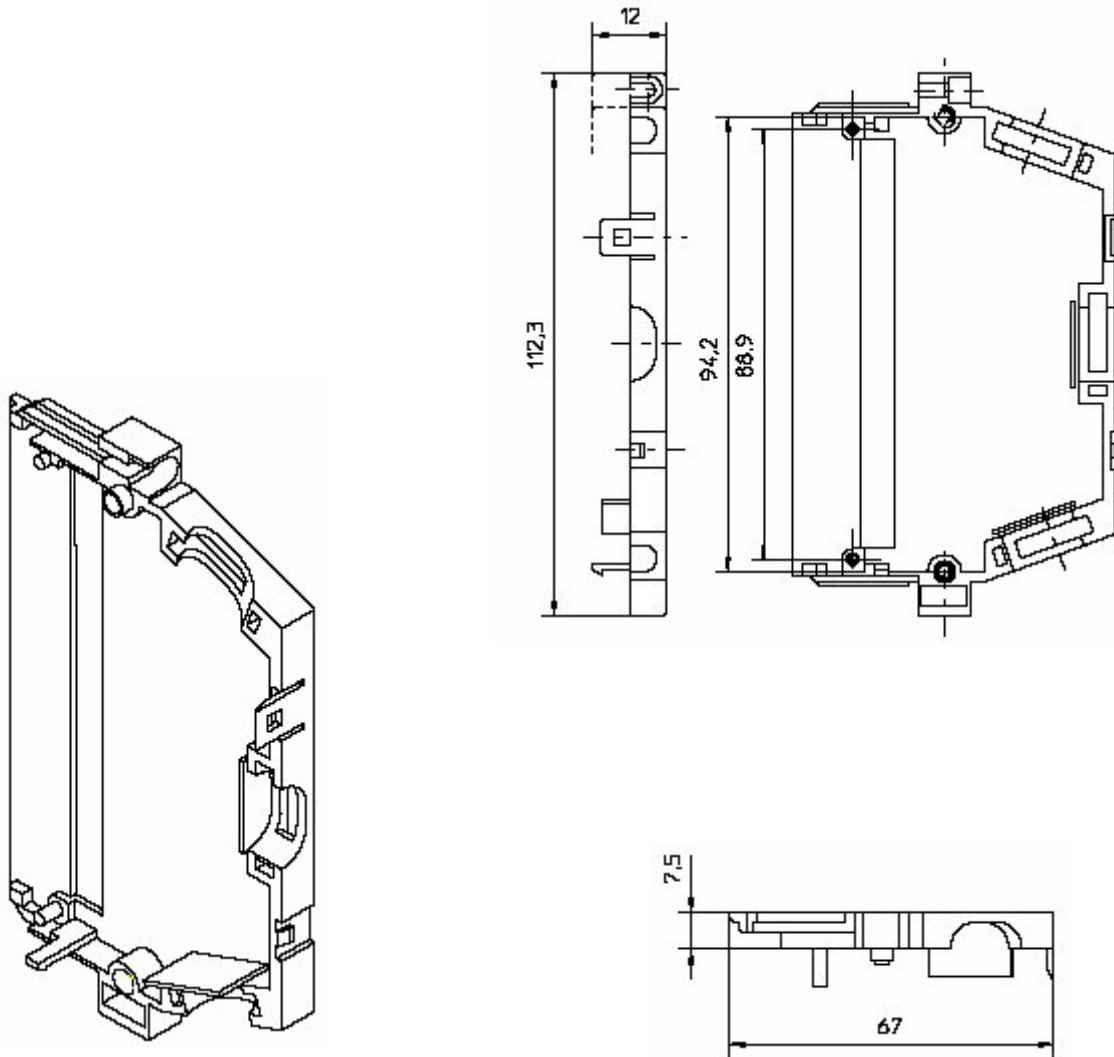


CONNECTOR HOUSING SYSTEM



C-ST-001

## CABLE HOUSING FOR C, D AND R CONNECTORS



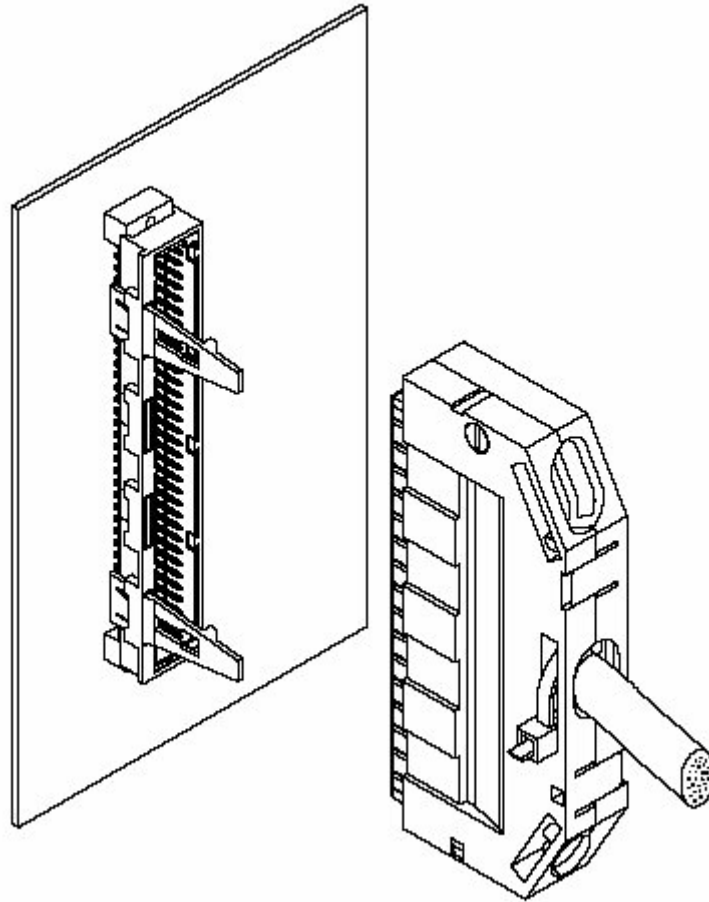
Ordering Code:

For the whole set: C-ST-001

Material: Polycarbonate

Colour: Grey

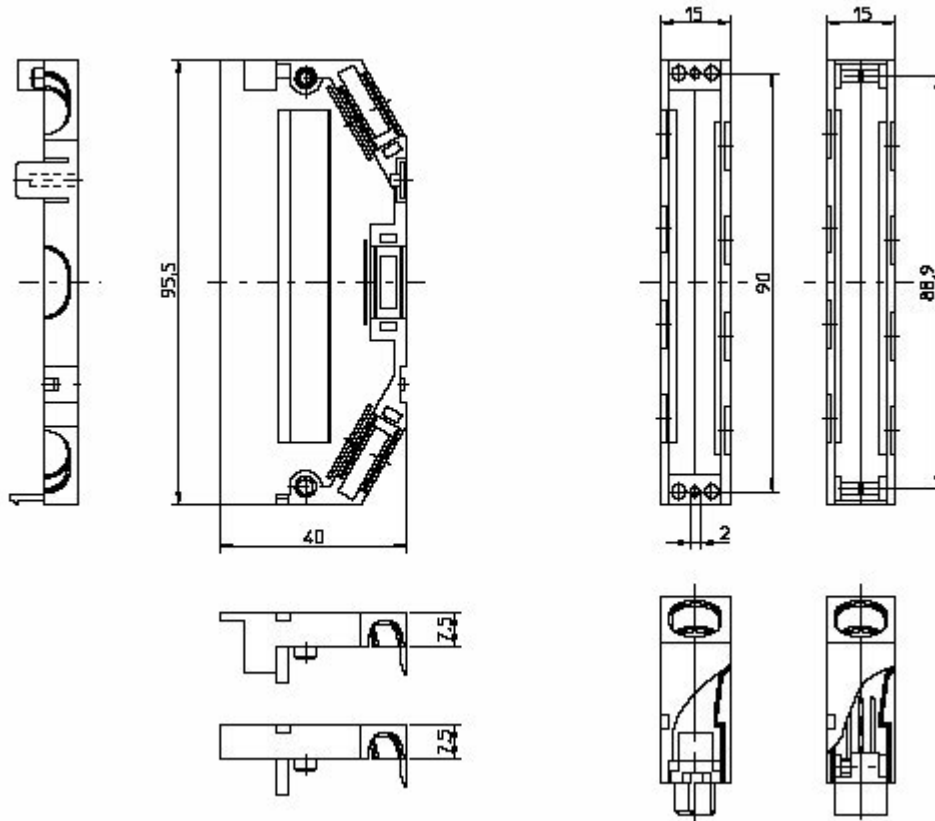
CONNECTOR HOUSING SYSTEM



C-ST-043

C-ST-042

HOUSINGS FOR C AND R CONNECTORS

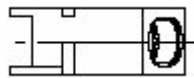


C-ST-043

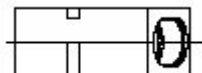
C-ST-042

Ordering Code:

C-ST-043      Whole set



C-ST-042      Whole set



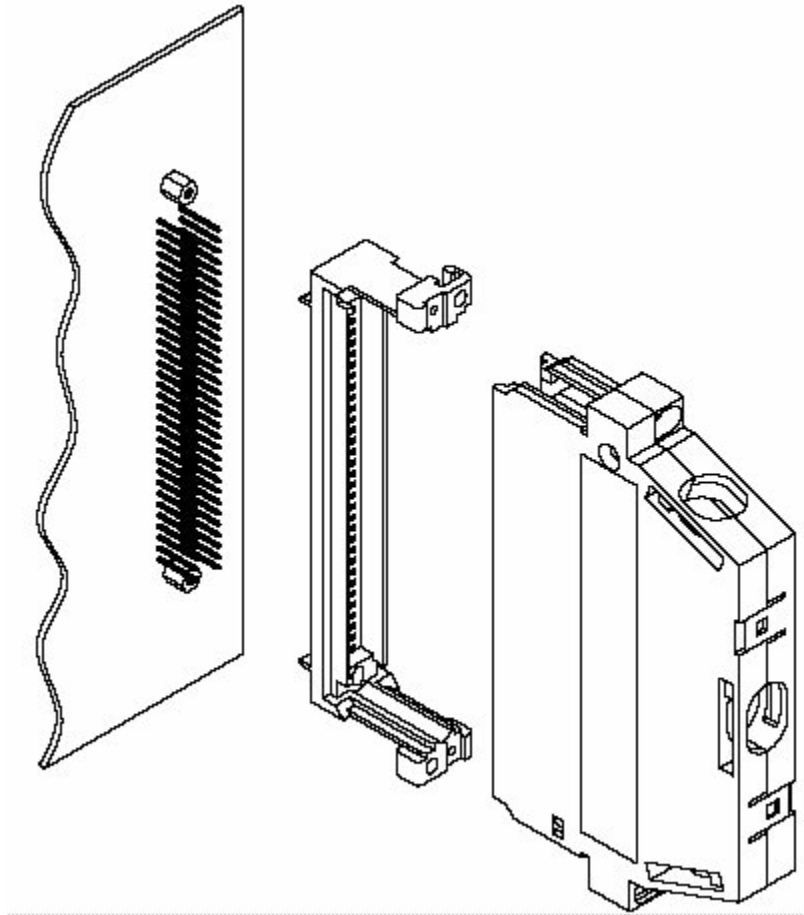
Material:      PC

Flammability:    UL 94 V-O

Colour:          Grey

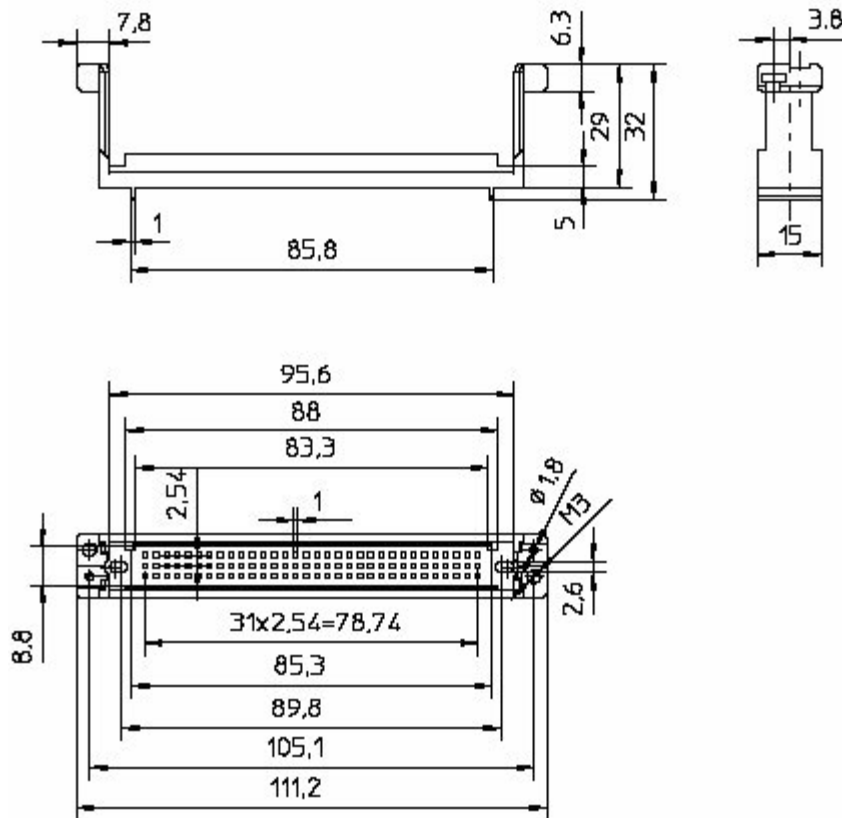


CONNECTOR HOUSING SYSTEM

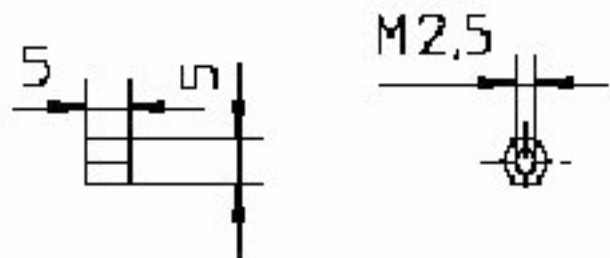


C-ST-002

GUIDE FRAME FOR CABLE HOUSING - C-ST-001

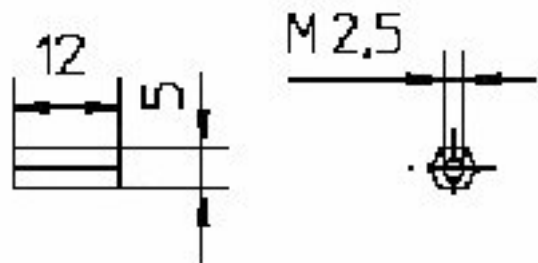


Ordering Code: C-ST-002  
 Material: Polycarbonate  
 Colour: Black

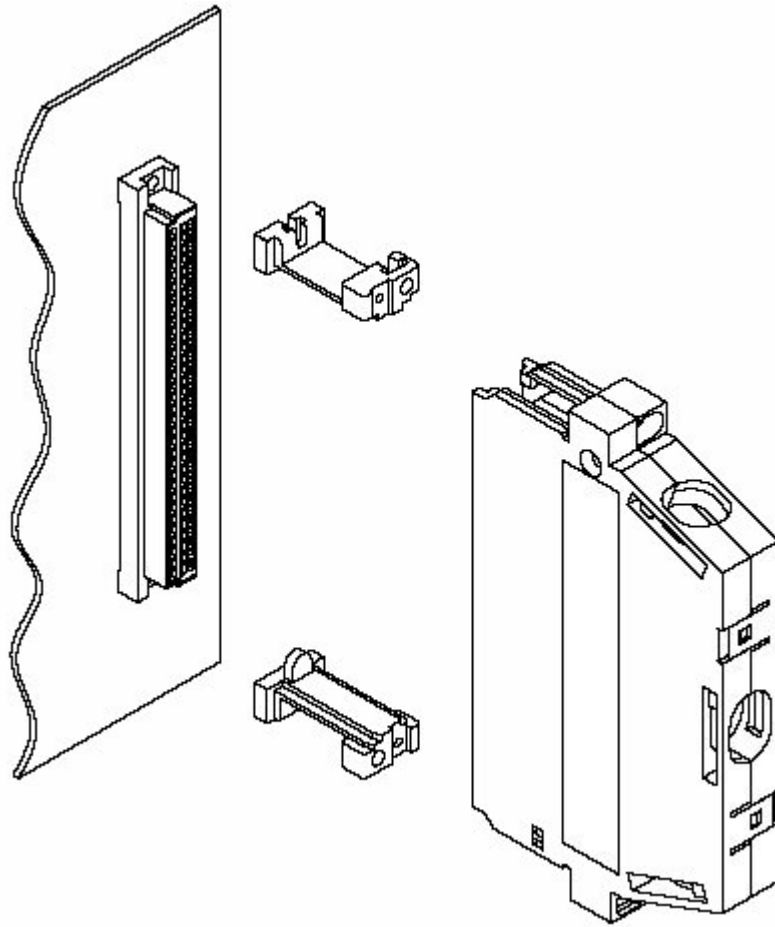


SPACERS

Ordering Code: C-ST-004  
 Ordering Code: C-ST-044

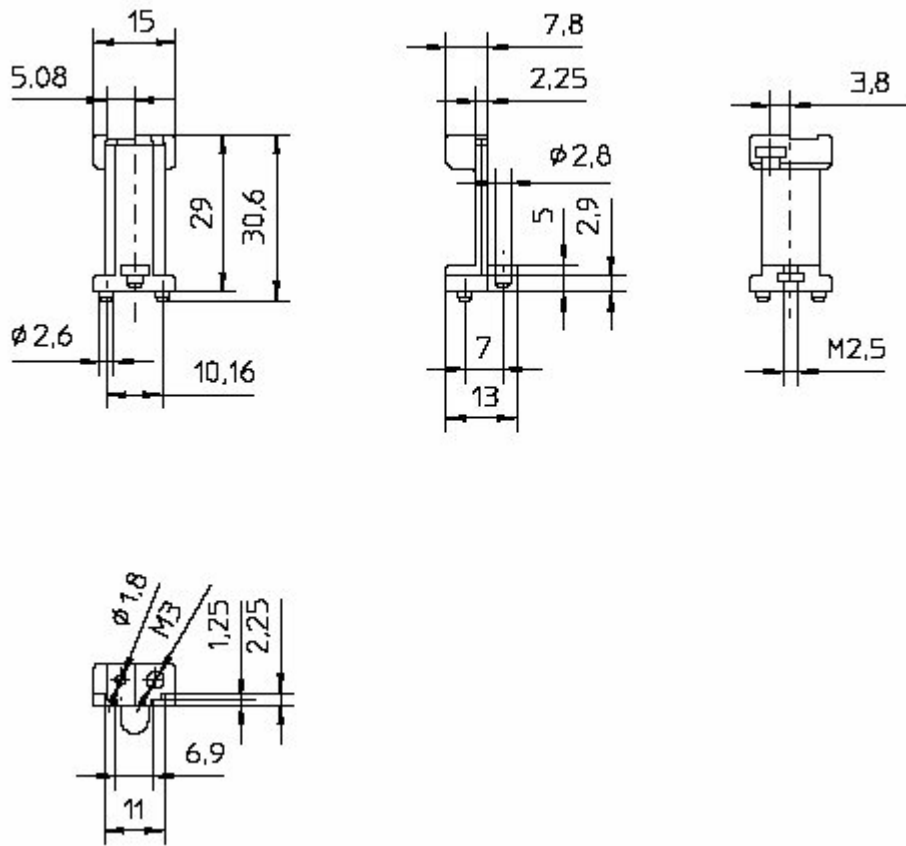


CONNECTOR HOUSING SYSTEM



C-ST-003

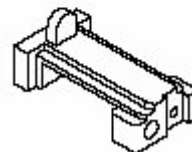
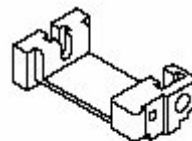
GUIDE PARTS FOR CABLE HOUSING C-ST-001



Ordering Code: C-ST-003

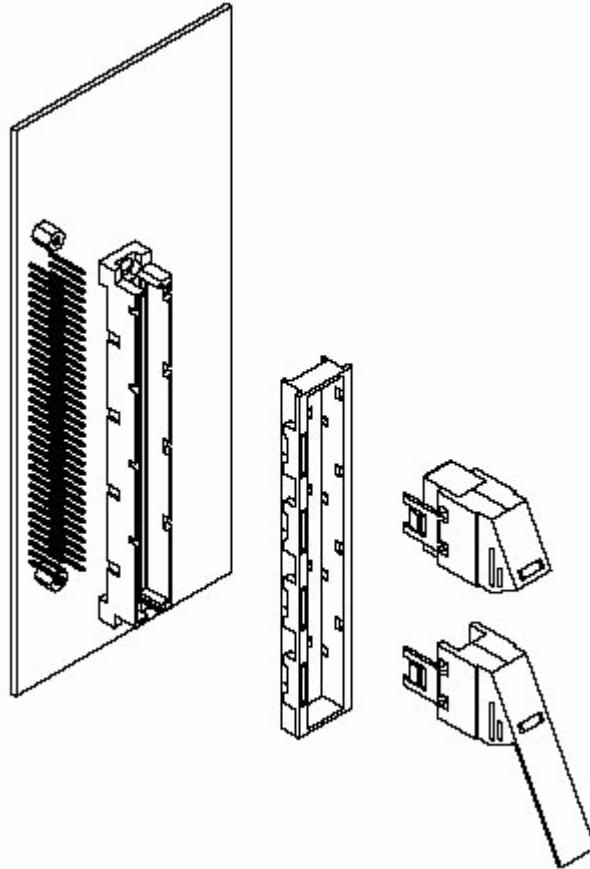
Material: Polycarbonate

Colour: Black

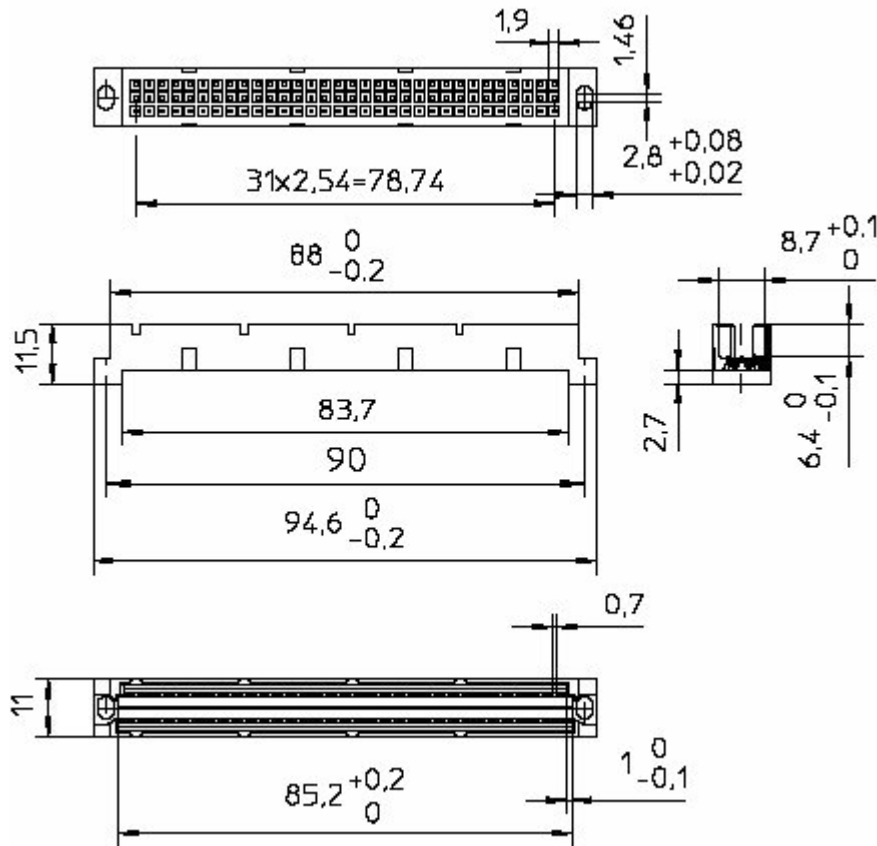


CONNECTOR HOUSING SYSTEM

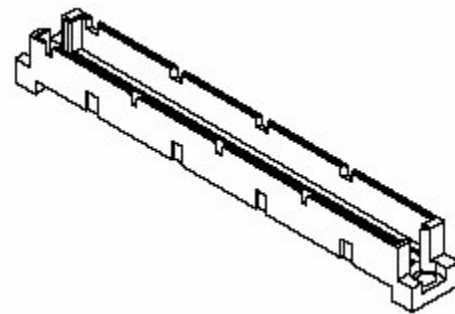
C-ST-021



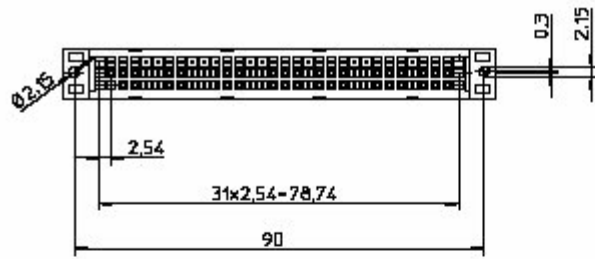
SHROUD



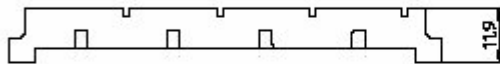
Ordering Code: C-ST-021  
 Material: Glass fibre filled polyester  
 Flammability: UL 94 V-O  
 Colour: Grey



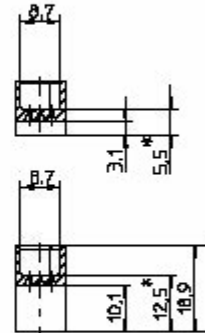
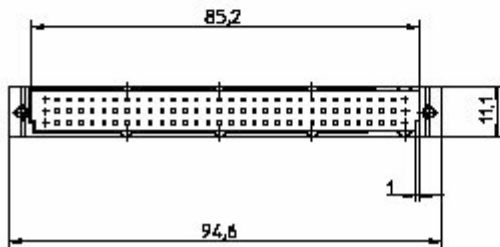
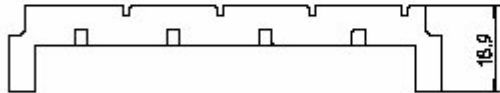
SHROUDS - LOW PROFILE



C-ST-045



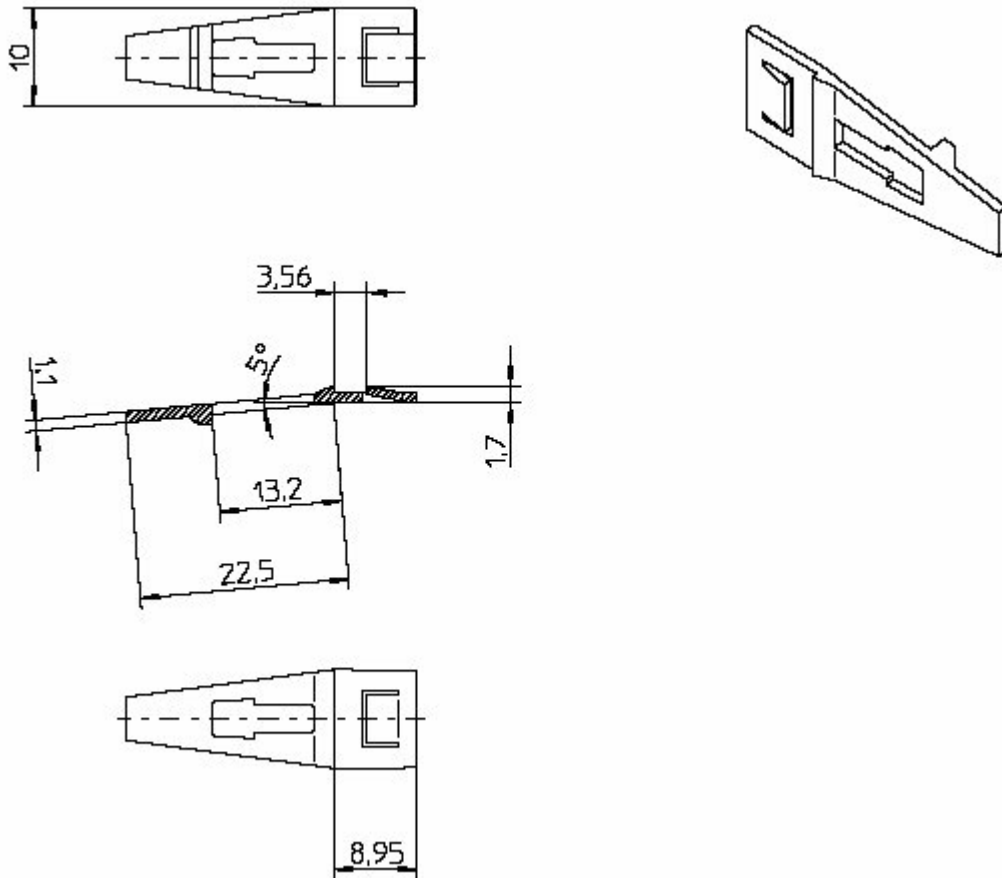
C-ST-046



- Ordering Code: C-ST-045 C-ST-046
- Material: Glass fibre filled polyester
- Flammability: UL 94 V-O
- Colour: Grey
- Fixing: With M2.5 plastite screws

**Locking Frames, see C-ST-006**

## LATCH



Ordering Code: C-ST-022  
Material: Glass fibre filled polyester  
Flammability: UL 94 V-O  
Colour: Grey