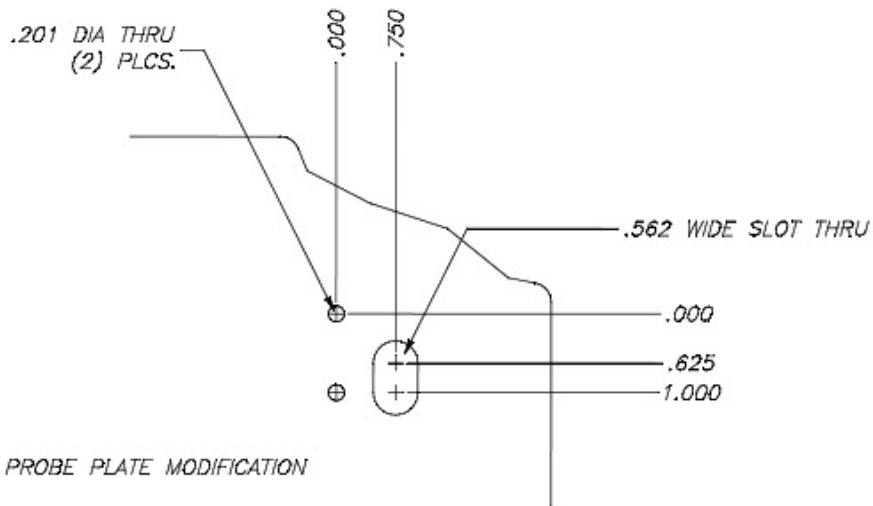
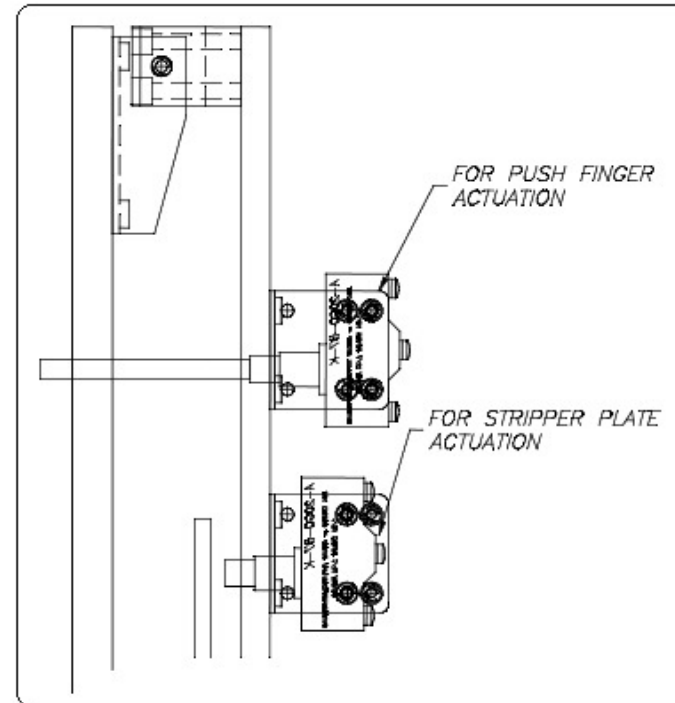


LEXAN COVER MODIFICATION
(IF USING 1/4-20 PUSH FINGER)



PROBE PLATE MODIFICATION



NOTE:

1. MICRO SWITCH CAN BE ACTUATED BY MOUNTING UNDERNEATH THE STRIPPER PLATE. COUNTER SINK OR COUNTERBORE THE .201 HOLES TO ENSURE THE HEAD OF THE SCREW IS BELOW FLUSH
2. MOUNT WITH #10-24 SCREWS PROVIDED