

HPC-40

HPC-40 Series Cylindrical Probes for Precision Dimensional Measurement

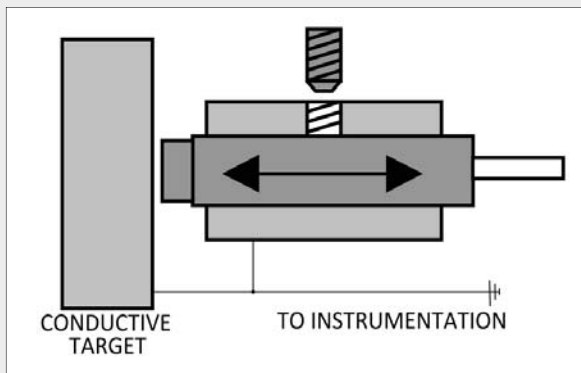
Capacitec's HPC non-contact probes are our most popular line of capacitive sensors. The sensor and guard elements are provided in a protective metal case. The HPC family of probes supports cable lengths of up to 10 meters in standard applications.

Built in wrench flats allow for easy installation and adjustments. A set screw or split clamp housing typically holds the assembly in place for easy installation and adjustments. Capacitec also offers custom configurations. Please consult the Capacitec technical support team for more information.



These probes have the largest displacement to sensor diameter ratio in the industry, yielding twice the linear range of competitors.

HPC cylindrical probes are available in a wide operational temperature range for precise measurements from cryogenic to 1000°C.



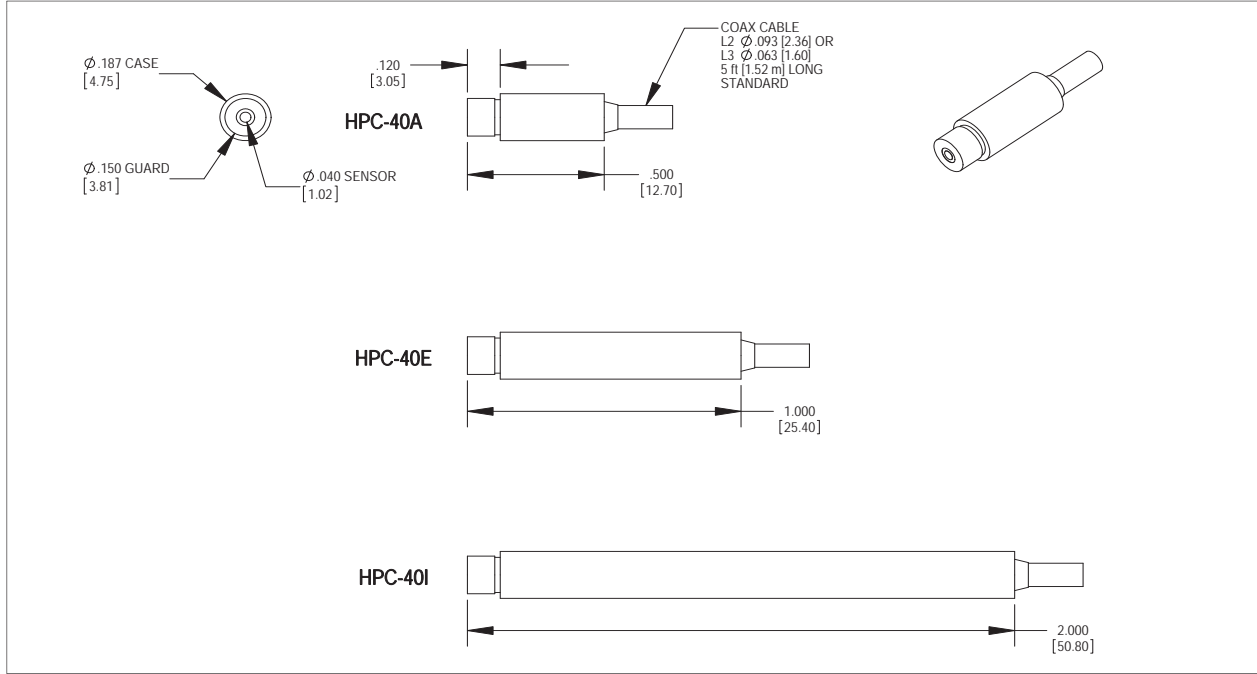
Adjust probe to desired distance and set screw in place



Complete Standard Capacitec HPC family

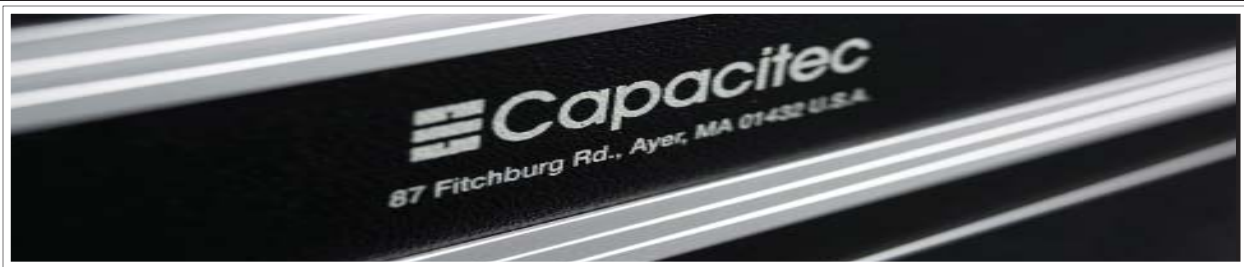
Standard Temperature Probes

Temperature Ranges A & E



Linear Range		0.020" [0.51]
Maximum Range		0.040" [1.02]
Material (Case, Guard and Sensor)		303 stainless steel
Standard Probe Lengths	A	0.500" [12.70]
	E	1.000" [25.40]
	I	2.000" [50.80]
	Custom	Custom lengths B to H available B .625" [15.88], C .750" [19.05], D .875" [22.23], F 1.250" [31.75], G 1.500" [38.10], H 1.750" [44.45], please consult factory
Temperature Ranges	A	32°F [0°C] to 302°F [150°C], please consult factory for cryogenic
(Continuous Use)	E	-100°F [-73°C] to 400°F [205°C], please consult factory for cryogenic
Sensor OD		0.040" [1.02]
Case OD		0.187" [4.75]
Connector Options		Microdot, BNC or MCX, (microdot and MCX not compatible with I2 cable)
Cable Options OD		L2 0.093" [2.36], L3 0.063" [1.60] or I2 0.125" [3.18], all cable must not be cut or spliced
Dip Coating		Optional protective epoxy dip coating available
Calibration	NIST Traceable	20 point archived calibration record of nominal displacement versus voltage standard Several sensitivities available
Mounting Hole		0.187" +0.001/-0.000, [4.75 +0.051/-0.000]

Ordering Format



HPC - 40	X	-	X	-	XX	-	XX	-	X	-	X
PROBE LENGTH	OPERATING TEMPERATURE	CABLE TYPE	CABLE LENGTH	CONNECTOR TYPE	DIP COATING						
A - .500" (12.70)	A - 32 to 302°F (0 to 150°C)	L2 - .093" coax (2.36)	5 - 5' Standard (1524)	M - 10-32 Microdot	D - For dip coating (only available for A and E temperature probes) Adds .002" (0.05)						
B - .625" (15.88)			X - Other in ft.	B - BNC							
C - .750" (19.05)	E - -100 to 400°F (-73 to 205°C)	L3 - .063" coax (1.60)		MCX - MCX	Leave blank for no coating						
D - .850" (21.59)											
E - 1.000" (25.40)											
F - 1.250" (31.75)											
G - 1.500" (38.10)											
H - 1.750" (44.45)											
I - 2.000" (50.80)											

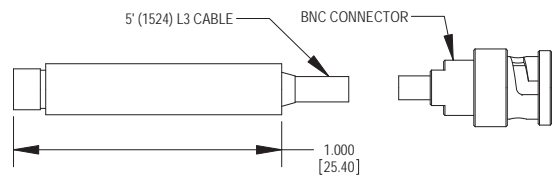
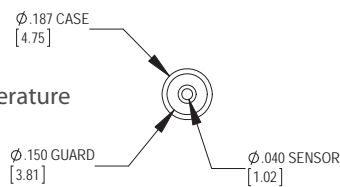
Specify Beads or Over Braid if Desired

(DIMENSIONS) IN MILLIMETERS

EXAMPLE: HPC-40E-E-L3-5-B-D

HPC-40 with

- 400°F [205°C] Max temperature
- Dip coating option



US HEADQUARTERS
 Capacitec, Inc.
 87 Fitchburg Road
 P.O. Box 819
 Ayer, Massachusetts 01432
 USA
 TEL: 978-772-6033
 FAX: 978-772-6036
 email: sales@capacitec.com
 www.capacitec.com

EUROPEAN HEADQUARTERS
 Capacitec Europe
 16, rue Séjourné
 94044 CRETEIL cedex
 FRANCE
 TEL: 33 1 43 39 48 68
 FAX: 33 1 49 80 07 49
 email: eurosales@capacitec.com
 http://fr.capacitec.com