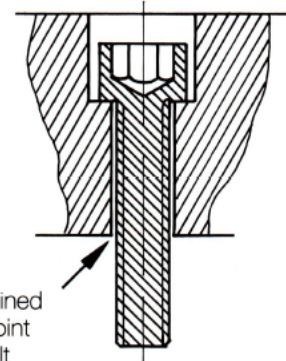
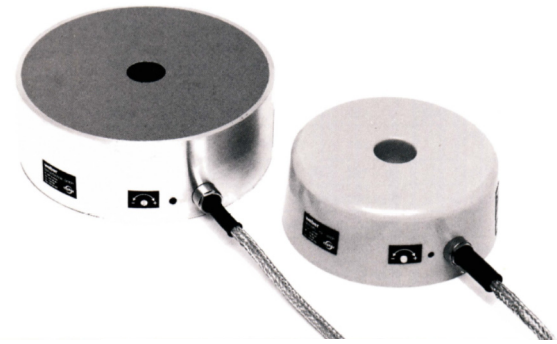


proxi-captor products are rugged, inductive proximity switches which have been especially conceived for installation in harsh industrial environments. The simple nylon Allen bolt mounting of both proxi-captor series protects the units from serious mechanical damage in the event of a collision by breaking cleanly. Designed for heavy industrial applications the proxi-captors are fully resin encapsulated and constructed of durable material; types 2040.xx, 2080.xx, and 2100.xx are housed in resilient ABS plastic, types 2045.xx and 2090.xx have an aluminium housing designed for flush mounting. The high frequency oscillator in the proxi-captor is detuned when metal components approach and subsequently drives a switching stage via a trigger amplifier to give a reliable switching signal. The proxi-captor can be applied wherever switching distances vary, high switching frequencies occur or large sensing distances are concerned and where high repeatability is required.

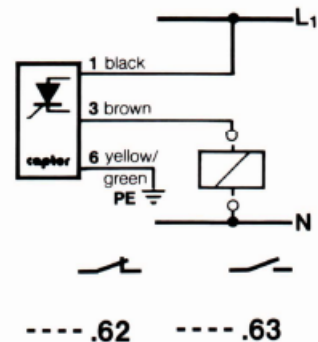
- compact and remote
- self-adjusting and adjustable proximity switches
- fully encapsulated
- no moving parts
- rugged aluminium or ABS plastic housings
- ISO 9001:2008

proxi-captor inductive proximity switches for contactless switching tasks in heavy industry, simple to install with center fixing bolt, adjustable switching range, short circuit protected, fully encapsulated electronics. These proxi-captors are available in different electrical versions for AC or DC applications with thyristor, antivalent transistor or other outputs on request.

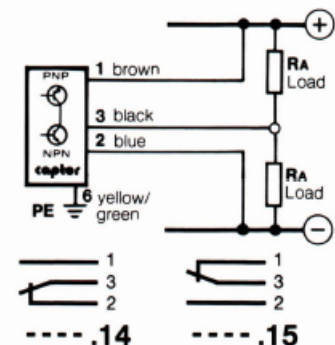


**Connection diagram**

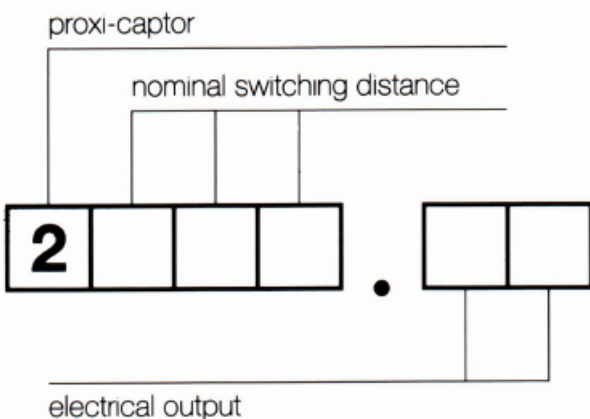
AC thyristor output



DC transistor output



**Type code**



**Types 2045.xx / 2090.xx / 2040.xx / 2080.xx / 2100.xx**

Electrical data						
	AC			DC		
Type	.62	.63	.14	.15		
output	thyristor			transistor		
Output function	n.c.	n.o.	NPN n.c.	PNP n.o.	NPN n.o.	PNP n.c.
Supply voltage	90 - 250 V			24 V		
Power consumption	approx. 0,45 VA open at 220 V			approx. 0.6 W		
Voltage drop	approx. 9,5 V at 30 mA			2.5 V at 400 mA		
Trip point for overload protection	approx. 350 mA			approx. 550 mA		
Switching current	5 - 200 mA			max. 400 mA		
Mechanical data						
Type	2040.xx	2080.xx	2100.xx	2045.xx	2090.xx	
Installation	Center hole mounting with nylon Allen bolt					
Mounting screws	M 12 x 50	M 12 x 50	M 16 x 70	M 12 x 80	M 16 X 90	
Connection	oilflex	oilflex	silicon amoured			
Cable/moulded	0,5 mm <sup>2</sup>	0,5 mm <sup>2</sup>	0,75 mm <sup>2</sup>			
Connection plug	watertight connection plug, UL approved available					
Mass	350g	800g	2300g	1300g	4400g	
Dimensions in mm (dxh)	75 x 35	110 x 45	163 x 63	100 x 52	200 x 70	
Nominal switching distance	40 mm	80 mm	100 mm	45 mm	90 mm	
Correction factors	Fe= 1.0; CrN1 = 0.85; Brass = 0.54; Al= 0.5; Cu= 0.46					
Vibration and shock	in accordance with DIN 57 4 11					
Hysteresis	approx. 10 % of switching distance					
Housing material	ABS plastic			aluminium		
Protection standard	IP 65 / DIN 400 50					
Function indicator	LED					
Ambient temperature	-1 0 °C to + 65 °C (14 °F to 148 °F)					
Repeatability	better than 1 %					
Short circuit protection	max. 1 short circuit / s					
Custom-made models	on request					

Dimensions (cf. above)

