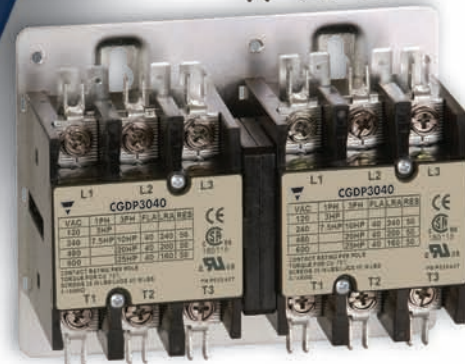
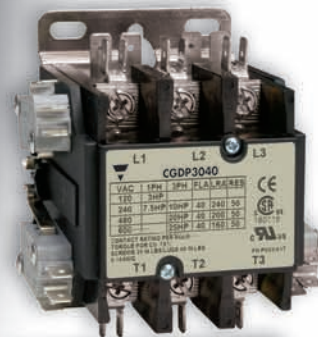
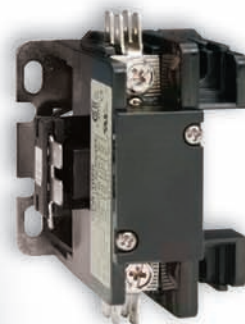
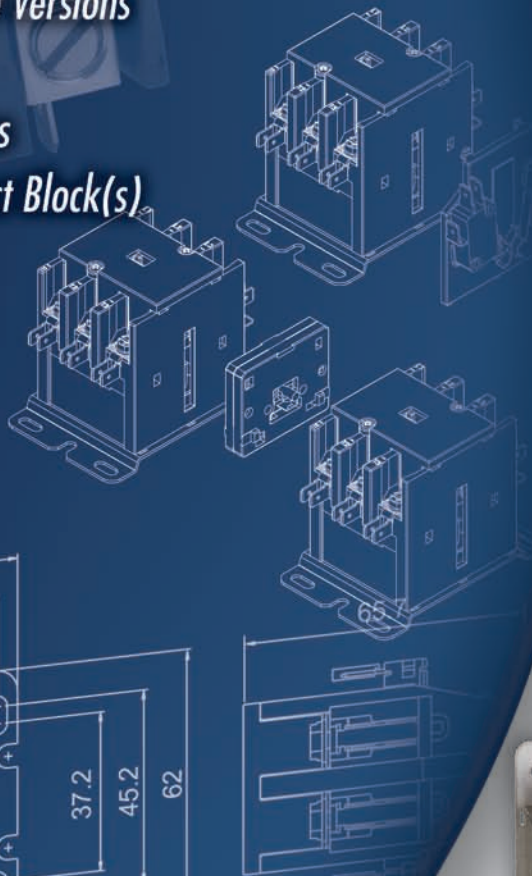
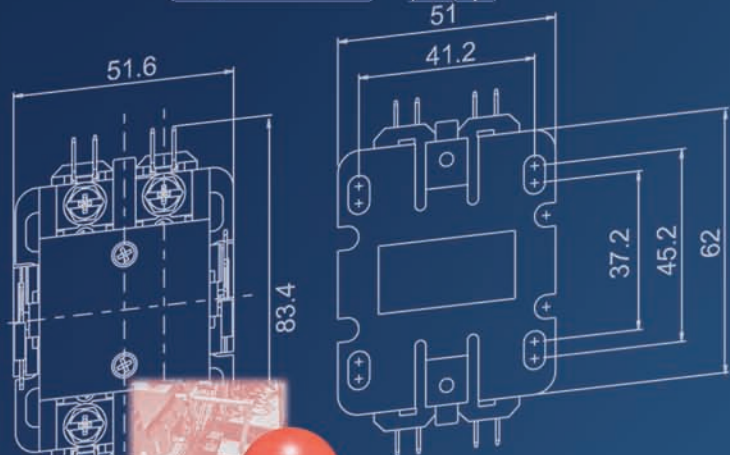
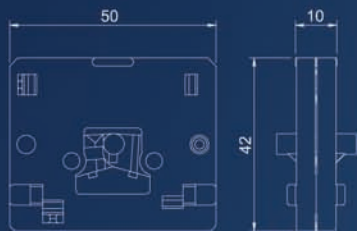




Definite Purpose Contactors

- 1, 1+Shunt, 2 and 3 Pole Versions
- Economically Priced
- Universal Mounting Plates
- Optional Auxiliary Contact Block(s)
- Optional Lug Terminals



Definite Purpose Contactors

Carlo Gavazzi introduces its new Definite Purpose Contactors designed to satisfy OEM's and end user's needs. One-pole, one-pole+shunt, two-pole and three-pole contactors provide various application solutions with great reliability and a long life cycle.

Features:

- Universal mounting plates
- Straight through wiring
- Auxiliary contact block(s) available
- Optional DIN rail mounting
- Optional lug terminals
- Cost effective
- Low coil VA
- Quiet operation

Common Applications

Heating
Ventilation
Air Conditioning
Refrigeration
Lighting
Elevators
Pumps and Compressors
Food and Beverage Industry
Pools and Spas
Welding



1-Pole+Shunt and 2-Pole Definite Purpose Contactors

CARLO GAVAZZI



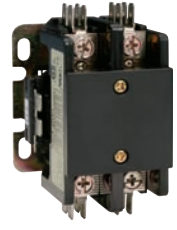
CGDP-1020



CGDP-1530



CGDP-2030L

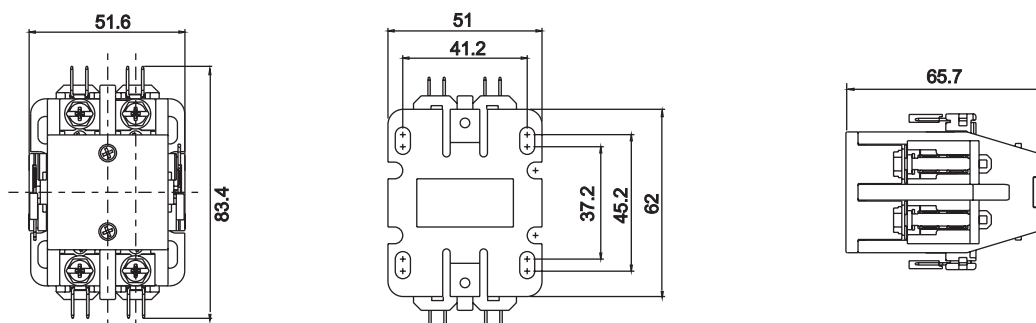


CGDP-2040

Catalog Number	CGDP-1020	CGDP-1520	CGDP-2020	CGDP-1025	CGDP-1525	CGDP-2025	CGDP-1030	CGDP-1530	CGDP-2030	CGDP-1040	CGDP-1540	CGDP-2040	
Number of Poles	1	1+ shunt	2	1	1+ shunt	2	1	1+ shunt	2	1	1+ shunt	2	
Terminal Type	Screw Terminals (Standard) or Box Lug (Optional with L Suffix)												
Top Cover	With Top Cover (Standard) or Without Top Cover (Optional with S Suffix)									With Top Cover (Standard)			
Rated Insulation Voltage (Ui)UL/IFC	600/660												
Rated Operating Voltage (Ue)UL/IFC	600/660												
Rated Thermal Current (Ith)UL/IFC	30			35			40			50			
ARI 780	Full load amps (FLA)		20		25		30		40		40		
	Locked rotor amps (LRA) A	1 phase Max HP	240/277V	120		150		180		240		240	
			480V	100		125		150		200		200	
			600V	80		100		120		160		160	
Resistive load amps (RES)A		30		35		40		50		50			
UL 508	Full load amps (FLA)	1 phase Max HP	110/120V	1.5HP/20A		2HP/24A		2HP/24A		3HP/34A		3HP/34A	
			240/277V	3HP/17A		3HP/17A		5HP/28A		7.5HP/40A		7.5HP/40A	
IEC 60947-1 IEC 60947-4-1 AC 7A * AC 8A *	Rated amps (A)	1 phase Max HP	220V	20		25		30		40		40	
			380V	20		25		30		40		40	
Resistive load amps (RES)A		32		35		40		50		50		50	
Coil Selection	24 - 120 - 208/240 - 277 - 480												
Approvals	CSA	•		•		•		•		•		•	
	CE	•		•		•		•		•		•	
	cRUus	•		•		•		•		•		•	
Approximate Weights (kg)	0.23			0.23			0.3			0.3			

* AC 7a: For electrical home appliances or similar low voltage applications
AC 8a: For control of enclosed freezers or compressors with manual overload protection

Dimensions (mm) For Models: CGDP-1020(L)~1040(L) / CGDP-1520(L)~1540(L) / CGDP-2020(L)~2040(L)



3-Pole Definite Purpose Contactors



CARLO GAVAZZI



CGDP-3040



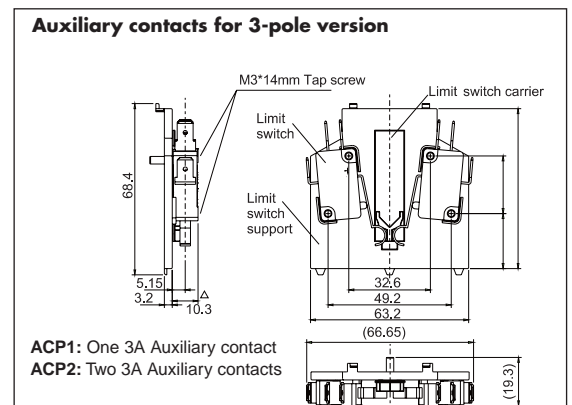
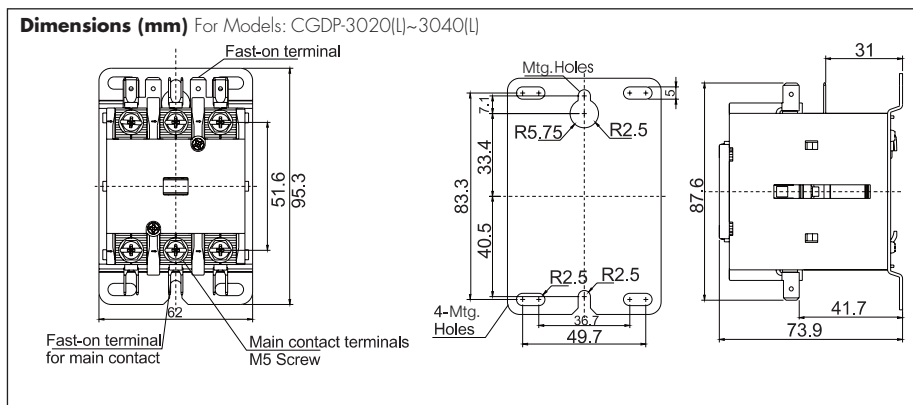
CGDP-3040 F5C



CGDP-3040L

Catalog Number	CGDP-3020	CGDP-3020L	CGDP-3025	CGDP-3025L	CGDP-3030	CGDP-3030L	CGDP-3040	CGDP-3040L
Number of Poles	3							
Terminal Type*	Screw Terminals (Standard) or Box Lug (Optional with L Suffix)							
Rated Insulation Voltage (Ui)UL/IFC	600/660							
Rated Operating Voltage (Ue)UL/IFC	600/660							
Rated Thermal Current (Ith)UL/IFC	30		35		40		50	
ARI 780	Full load amps (FLA)		20		25		30	
	Locked rotor amps (LRA) A	1 phase Max HP	240/277V	120	150	180	240	
		1 phase	480V	100	125	150	200	
			600V	80	100	120	160	
Resistive load amps (RES)A		30		35		40		
UL 508	Full load amps (FLA)	1 phase Max HP	110/120V	1.5HP/20A	2HP/24A	2HP/24A	3HP/34A	
			240/277V	3HP/17A	5HP/28A	5HP/28A	7.5HP/40A	
			440/480V	5HP/14A	5HP/14A	7.5HP/21A	15HP/34A	
			220/240V	7.5HP/22A	10HP/28A	10HP/28A	10HP/28A	
			440/480V	7.5HP/11A	15HP/21A	15HP/21A	20HP/27A	
	Locked rotor amps (LRA) A	3 phase Max HP	3 phase	550/600V	7.5HP/9A	20HP/22A	20HP/22A	25HP/27A
				220/240V	7.5HP/127A	10HP/162A	10HP/162A	10HP/162A
				440/480V	7.5HP/63.5A	15HP/116A	15HP/116A	20HP/145A
				550/600V	7.5HP/50.8A	20HP/116A	20HP/116A	25HP/146A
				220/240V	7.5HP/127A	10HP/162A	10HP/162A	10HP/162A
IEC 60947-1 IEC 60947-4-1 AC 7A ** AC 8A **	Rated amps (A)	1 phase Max HP	220V	20	25	30	40	
			380V	20	25	30	40	
Resistive load amps (RES)A		32		35		40		
Coil Selection	24 - 120 - 208/240 - 277 - 480							
Approvals	CSA	•		•		•		
	CE	•		•		•		
	cRUus	•		•		•		
Approximate Weights (kg)	0.43							

- * Different options for terminal type of power side or load side are available
- ** AC 7a: For electrical home appliances or similar low voltage applications
AC 8a: For control of enclosed freezers or compressors with manual overload protection



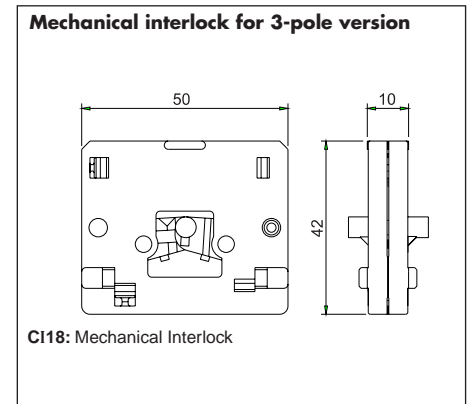
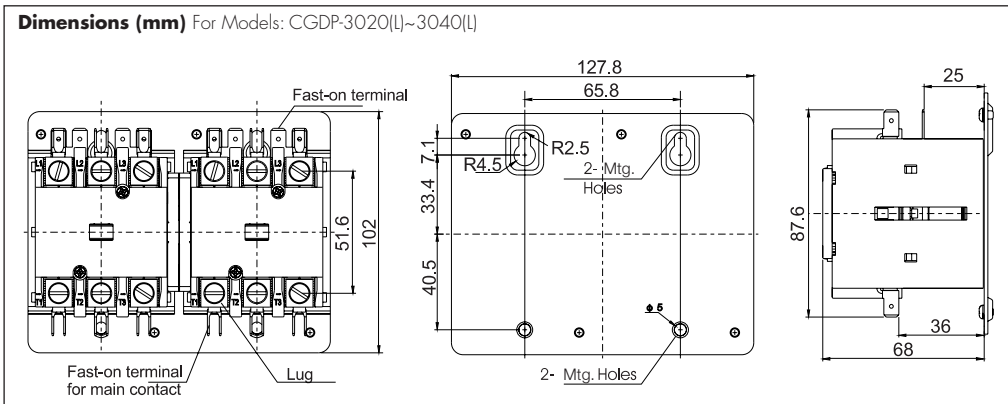
3-Pole Reversing Definite Purpose Contactors



CGDPR-3040

Catalog Number	CGDPR-3020	CGDPR-3020L	CGDPR-3025	CGDPR-3025L	CGDPR-3030	CGDPR-3030L	CGDPR-3040	CGDPR-3040L
Number of Poles	3							
Terminal Type*	Screw Terminals (Standard) or Box Lug (Optional with L Suffix)							
Rated Insulation Voltage (Ui)UL/IFC	600/660							
Rated Operating Voltage (Ue)UL/IFC	600/660							
Rated Thermal Current (Ith)UL/IFC	30		35		40		50	
ARI 780	Full load amps (FLA)		20		25		30	
	Locked rotor amps (LRA) A	1 phase Max HP	240/277V	120	150	180	240	
		1 phase Max HP	480V	100	125	150	200	
UL 508	Resistive load amps (RES)A		30		35		40	
	Full load amps (FLA)	1 phase Max HP	110/120V	1.5HP/20A	2HP/24A	2HP/24A	3HP/34A	
			240/277V	3HP/17A	5HP/28A	5HP/28A	7.5HP/40A	
			440/480V	5HP/14A	5HP/14A	7.5HP/21A	15HP/34A	
			220/240V	7.5HP/22A	10HP/28A	10HP/28A	10HP/28A	
			440/480V	7.5HP/11A	15HP/21A	15HP/21A	20HP/27A	
	Locked rotor amps (LRA) A	3 phase Max HP	220/240V	7.5HP/127A	10HP/162A	10HP/162A	10HP/162A	
			440/480V	7.5HP/63.5A	15HP/116A	15HP/116A	20HP/145A	
			550/600V	7.5HP/9A	20HP/22A	20HP/22A	25HP/27A	
			220/240V	7.5HP/127A	10HP/162A	10HP/162A	10HP/162A	
440/480V			7.5HP/63.5A	15HP/116A	15HP/116A	20HP/145A		
IEC 60947-1 IEC 60947-4-1 AC 7A ** AC 8A **	Rated amps (A)	1 phase Max HP	220V	20	25	30	40	
380V		20	25	30	40			
	Resistive load amps (RES)A		32		35		40	
Coil Selection	24 - 120 - 208/240 - 277 - 480							
Approvals	CSA	•		•		•		•
	CE	•		•		•		•
	cRUus	•		•		•		•
Approximate Weights (kg)	1.02							

* Different options for terminal type of power side or load side are available
 ** AC 7a: For electrical home appliances or similar low voltage applications
 AC 8a: For control of enclosed freezers or compressors with manual overload protection



How To Order

CGDP **5**

Series

CGDP : Non-Reversing Definite Purpose

CGDPR : Reversing Definite Purpose (3 Pole Only)

Pole Configuration

10 : 1 Pole **15** : 1 Pole + Shunt

20 : 2 Pole **30** : 3 Pole

Amperage Rating

20: 20 Amps **30**: 30 Amps

25: 25 Amps **40**: 40 Amps

Power Terminals

: Power and Load sides with Screw (for CGDP-1P, 1.5P, 2P, 3P) (Standard)

N : Without fast-on terminal (for CGDP-1P, 1.5P, 2P)

L : Power and Load sides with Lug (for CGDP-1P, 1.5P, 2P, 3P)

L N : Power and Load sides with Lug without fast-on terminal (for CGDP-1P, 1.5P, 2P)

M : Power side with Screw+Load side with Lug (for CGDP-1P, 1.5P, 2P, 3P)

Accessories

Blank : With Top Cover (Standard)

S : Without Top Cover

T : With Anti-dust Plate

Auxiliary Contacts

Blank : Standard (No Aux. Prop)

A : One 3A Aux (Right side x 1)

B : Two 3A Aux (Both sides x 1)

C : Three 3A Aux (Right x 2, Left x 1)

Only available on 3-pole models

Coil Frequency

5 : 50/60Hz

Coil Voltage

B : 24VAC **Y** : 277VAC

F : 120VAC **Q** : 480VAC

K : 208-240VAC **Z** : 575VAC

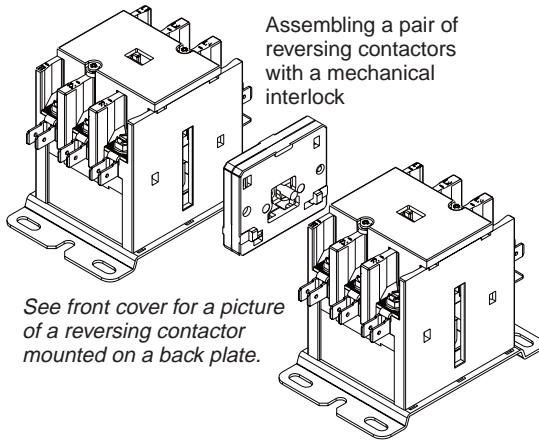
Other Coil Voltages Available Upon Request

Example: **CGDP3030LF5A** is:

3Pole, 30A, Lug type, 120 VAC, 50/60Hz, One 3A Auxiliary on right side

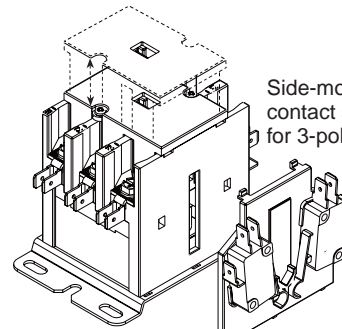
No spaces or any punctuation between characters

Installation of Accessories



Assembling a pair of reversing contactors with a mechanical interlock

See front cover for a picture of a reversing contactor mounted on a back plate.



Side-mounting auxiliary contact set available for 3-poles versions

To install, simply unscrew and remove top cover as shown above, place auxiliary contact in position, push top cover down and retighten top cover screws.

Your Authorized Distributor:

CARLO GAVAZZI
Automation Components

