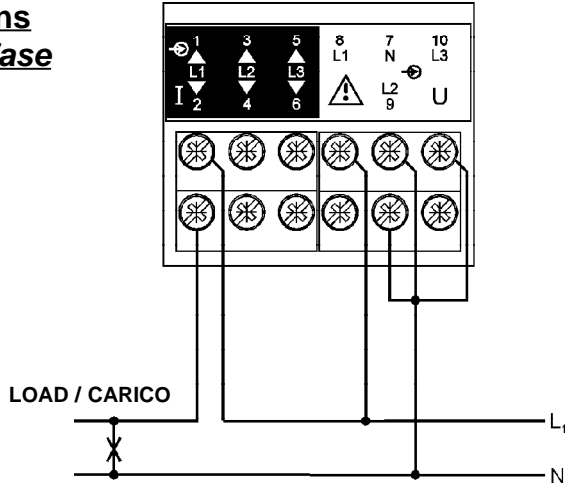
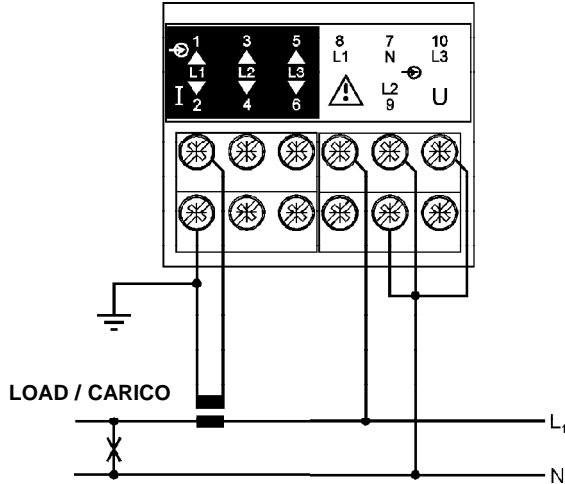


**Single-phase input connections**  
**Collegamenti ingresso monofase**

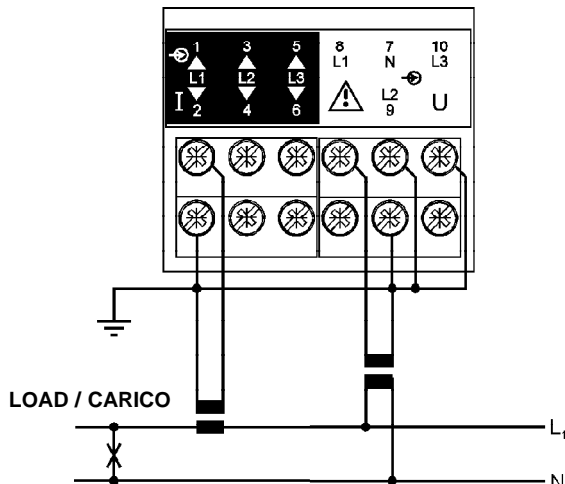
**Direct connection**  
**Collegamento diretto**



**CT connection**  
**Collegamento a TA**



**CT and VT connections**  
**Collegamenti a TA e a TV**

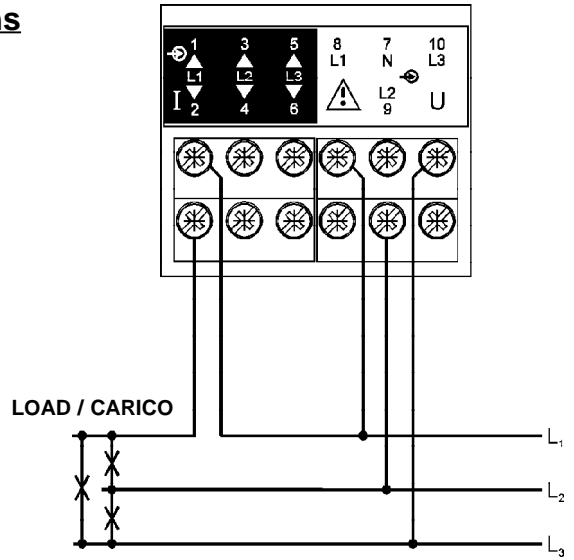


**Three-phase input connections**

**Balanced load**

*Collegamenti ingresso trifase*

*Carico equilibrato*

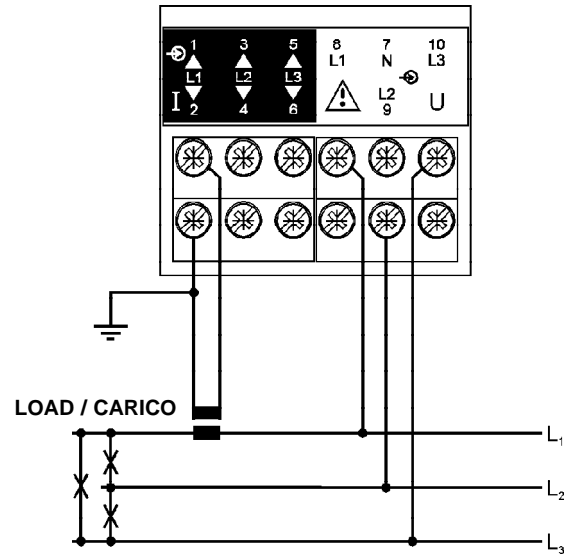


**Direct connection**

**(3-wire system)**

*Collegamento diretto*

*(sistema a 3 fili)*

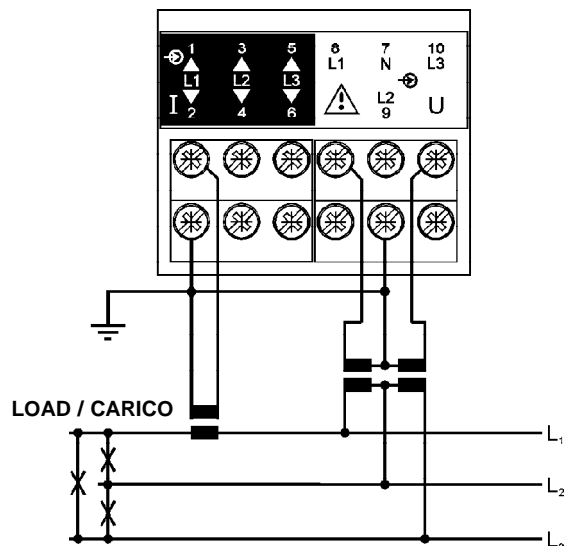


**CT connection**

**(3-wire system)**

*Collegamento a TA*

*(sistema a 3 fili)*



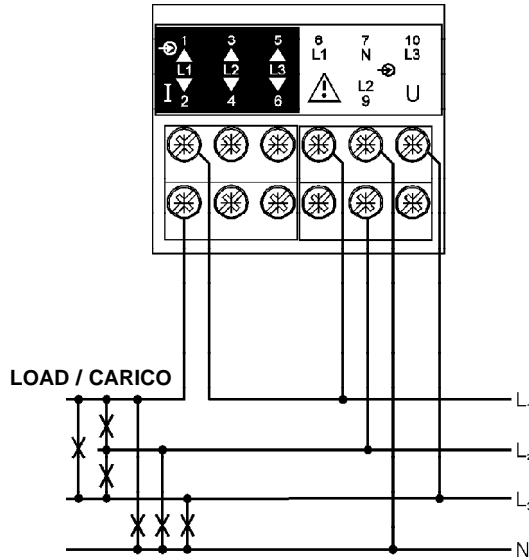
**CT and VT connections**

**(3-wire system)**

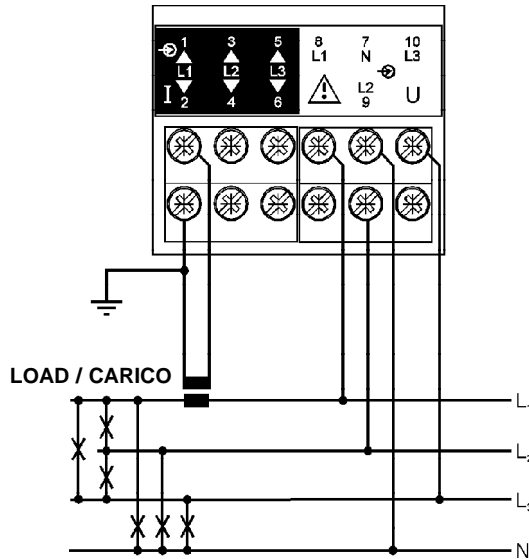
*Collegamenti a TA e a TV*

*(sistema a 3 fili)*

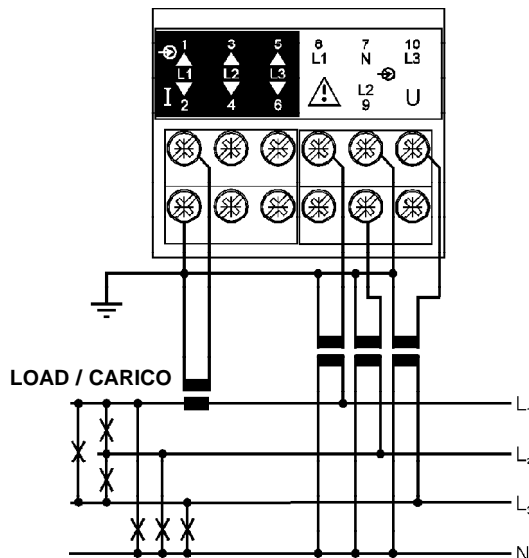
**Direct connection  
(4-wire system)  
Collegamento diretto  
(sistema a 4 fili)**



**CT connection  
(4-wire system)  
Collegamento a TA  
(sistema a 4 fili)**

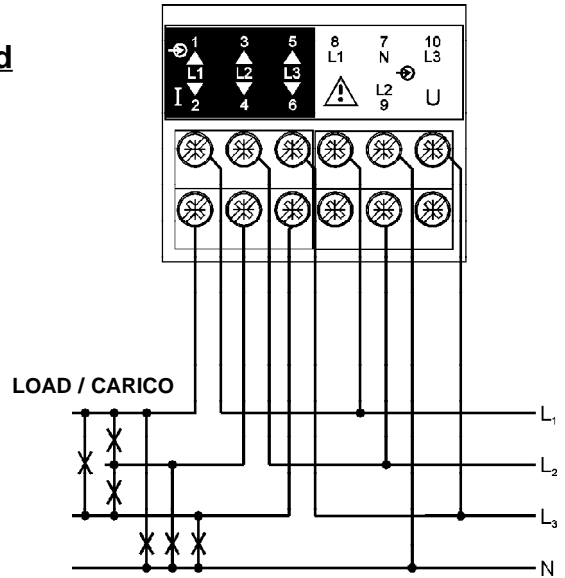


**CT and VT connections  
(4-wire system)  
Collegamenti a TA e a TV  
(sistema a 4 fili)**

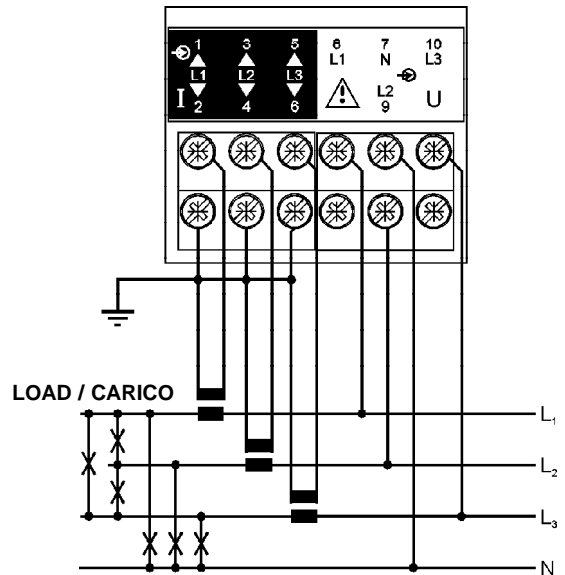


**Three-phase, 4-wire input  
connections - Unbalanced load**  
***Collegamenti ingresso trifase,  
4 fili - Carico squilibrato***

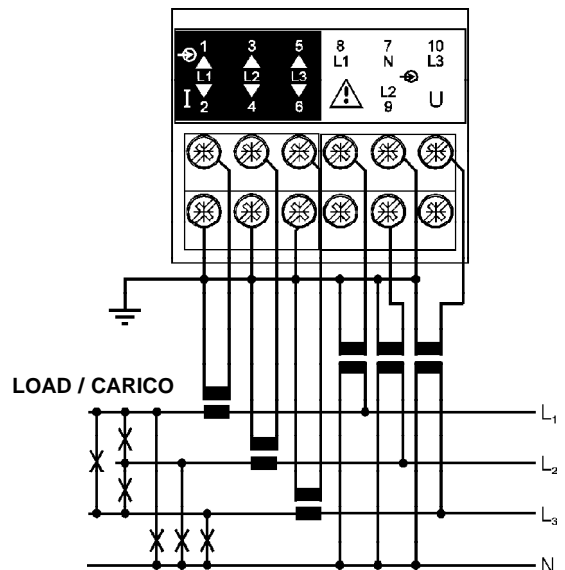
**Direct connection  
(4-wire system)**  
***Collegamento diretto  
(sistema a 4 fili)***



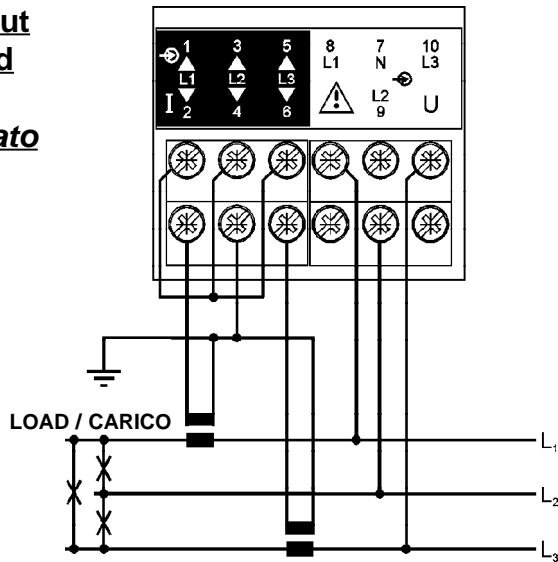
**CT connection  
(4-wire system)**  
***Collegamento a TA  
(sistema 4 fili)***



**CT and VT connections  
(4-wire system)**  
***Collegamenti a TA e a TV  
(sistema 4 fili)***

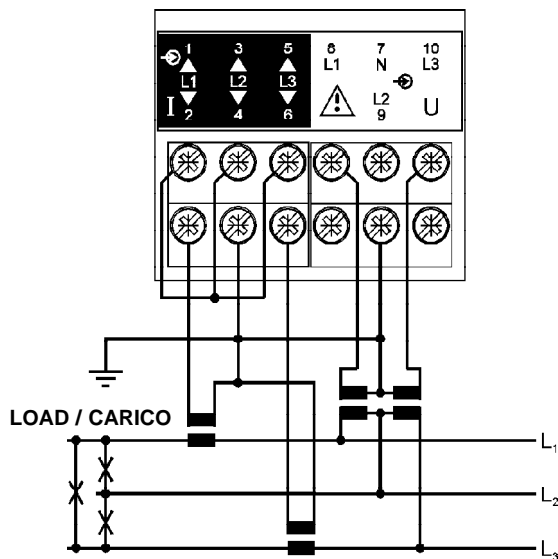


**Three-phase, 3-wire ARON input connections - Unbalanced load**  
**Collegamenti ARON, ingresso trifase a 3 fili - Carico squilibrato**



**CT connection (3-wire system)**  
**Collegamento a TA (sistema a 3 fili)**

**CT and VT connections (3-wire system)**  
**Collegamenti a TA e a TV (sistema a 3 fili)**



**APPENDIX  
APPENDICE**