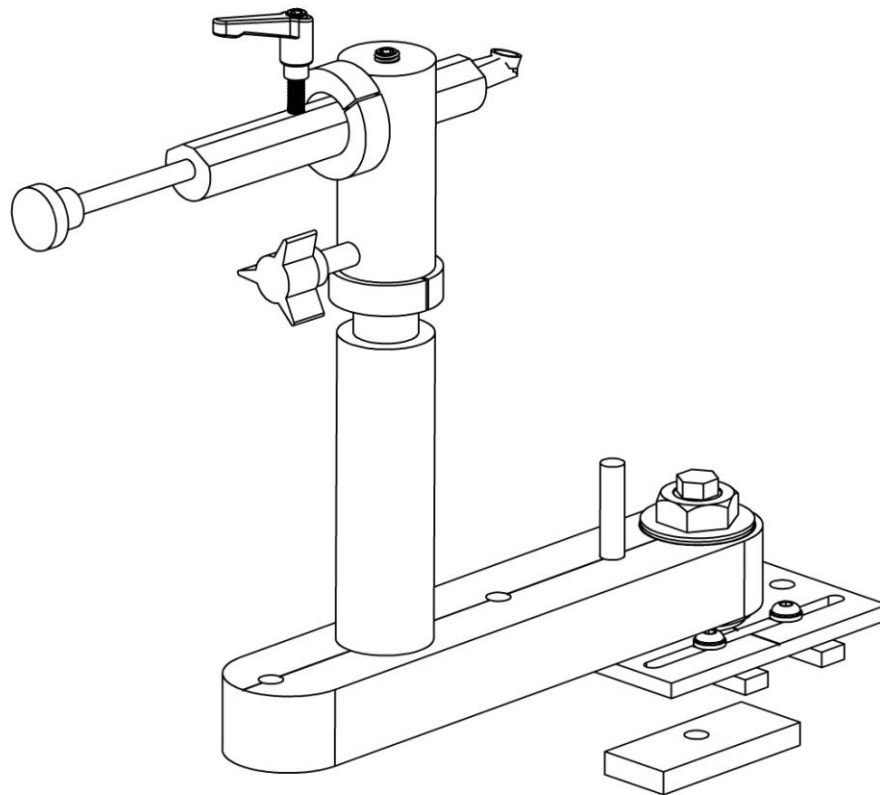
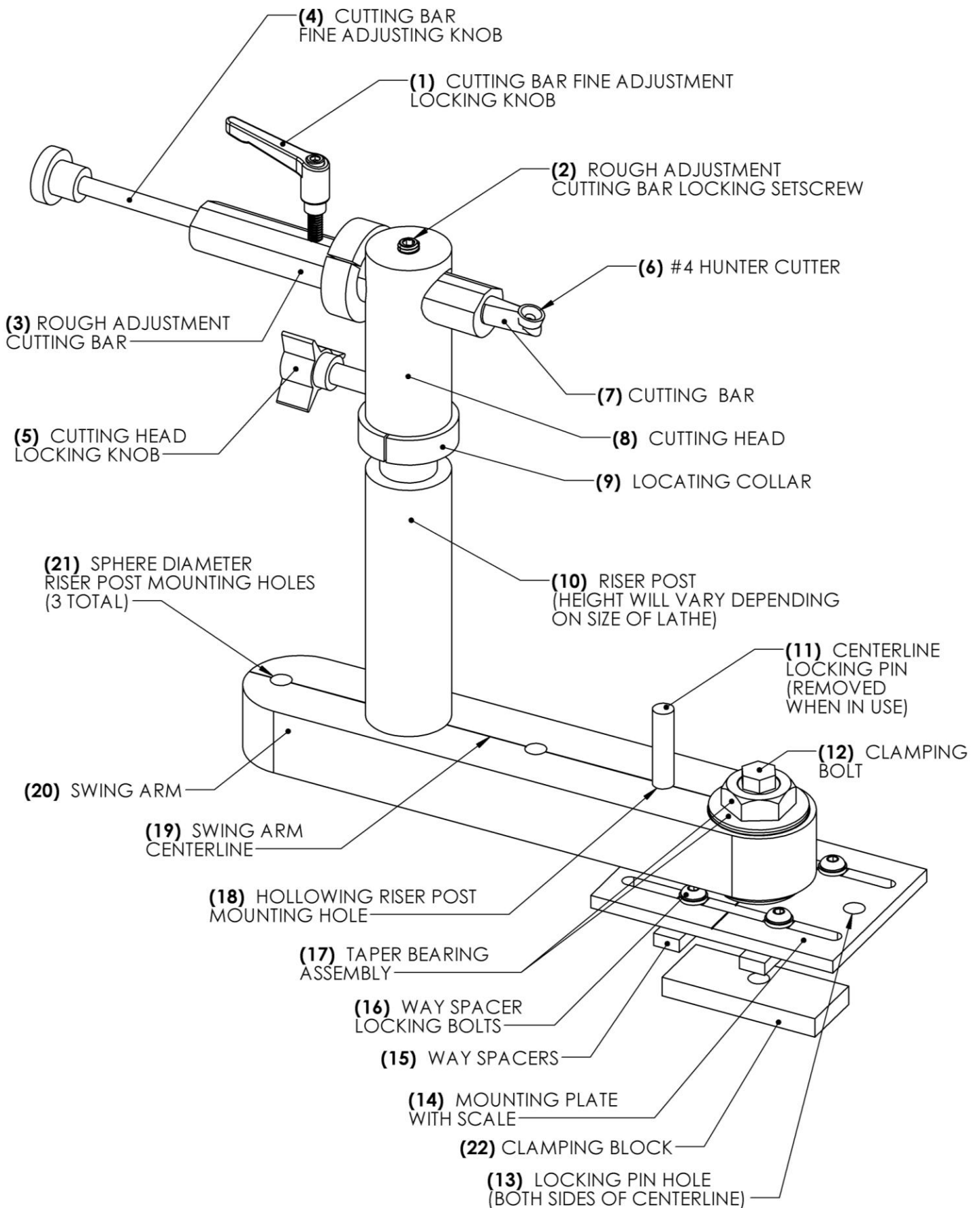


Perfect Sphere Tool

PS-1000

Assembly Instructions





1. Loosen Cutting Bar Fine Adjustment Knob (1) and Rough Adjustment Setscrew (2). Insert Cutting Bar (7) into Rough Adjustment Cutting Bar (3) with flat of Cutting Bar (7) facing up. Lightly tighten Cutting Bar Fine Adjustment Knob (1) on flat of Cutting Bar (7).

CAUTION: There are two threaded holes in the Rough Adjustment Cutting Bar (3) so that no matter what position the Rough Adjustment Cutting Bar (3) is in, there is always a threaded hole for the Cutting Bar Fine Adjustment Locking Knob (1). The threaded hole nearest the #4 Hunter Cutter (6) in the Rough Adjustment Cutting Bar (3) is not meant to align with the threaded hole in the Cutting Head (8) that has the Rough Adjustment Cutting Bar Locking Setscrew (2) installed in it. If these two threaded holes align it may cause the Rough Adjustment Cutting Bar Locking Setscrew (2) to lock the Cutting Bar (7) in place making it impossible to adjust the Cutting Bar (7) with the Cutting Bar Fine Adjustment Knob (4). There is also a risk of damaging the threads of one of the threaded holes. Make sure these two threaded holes do not align during operation of the Sphere Tool.

2. Thread Cutting Bar Fine Adjustment Knob (4) into back of Rough Adjustment Cutting Bar (3) until it contacts Cutting Bar (7).
3. Insert from the bottom of the Swing Arm (20) the 3/8" x 2" Flat Head screw (not shown) from hardware kit into appropriate Sphere Diameter Riser Post Mounting Hole (21) based on the diameter of sphere to be turned and thread Riser Post (10) onto screw and tighten in place.
4. Place Locating Collar (9) from the Hardware kit on Riser Post (10) for later adjustment.
5. Place Cutting Head (8) on Riser Post (10) and secure temporarily by lightly tightening Cutting Head Locking Knob (5).

Follow Installation Instructions for adjusting Way Spacers (15) and mounting the Perfect Sphere Tool on the lathe and adjusting Cutting Head (8) height and Locating Collar (9) and use of Centerline Locking Pin (11)