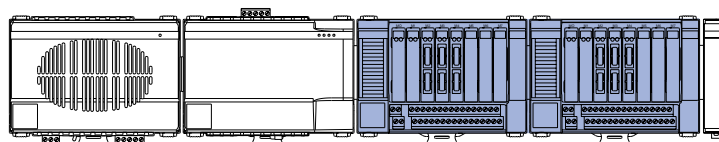


## BASES 16 Channel

- Automatically Detects OpenLine® I/O Modules Types
- Fast Memory Bus Interface to OpenLine® Controllers
- Performs 500 microsecond Scans of all Digital I/O Modules
- Multiple Termination Options
- Stack up to Eight Bases for 128 I/O Modules
- Small Footprint
- DIN Rail Mountable
- UL, CSA, CE Certified  
(See Engineering Info on p. H-3)

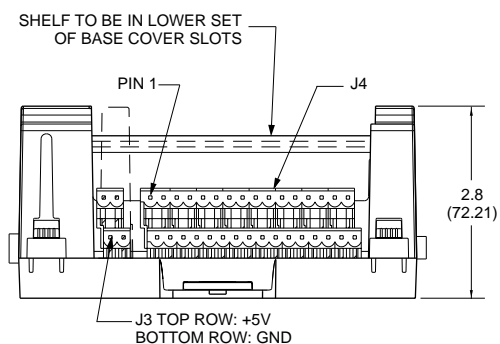
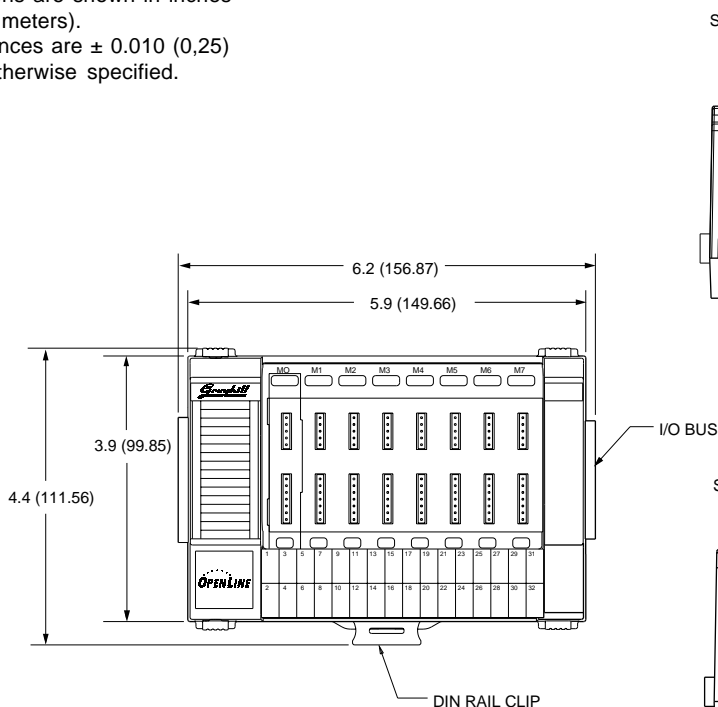


TWO 16 CHANNEL BASE UNITS ON OPENLINE® SYSTEM

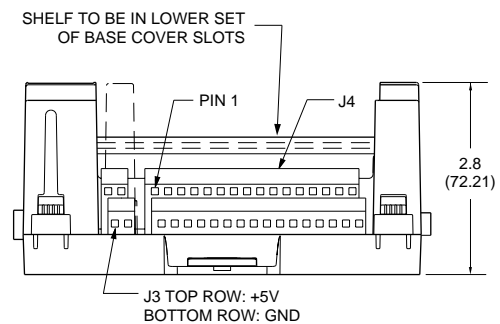
### 16 CHANNEL BASE: OpenLine® Smart Base with Memory Mapped I/O

**Part No. 7SLIOB16**

Dimensions are shown in inches (and millimeters).  
All tolerances are ± 0.010 (0,25) unless otherwise specified.



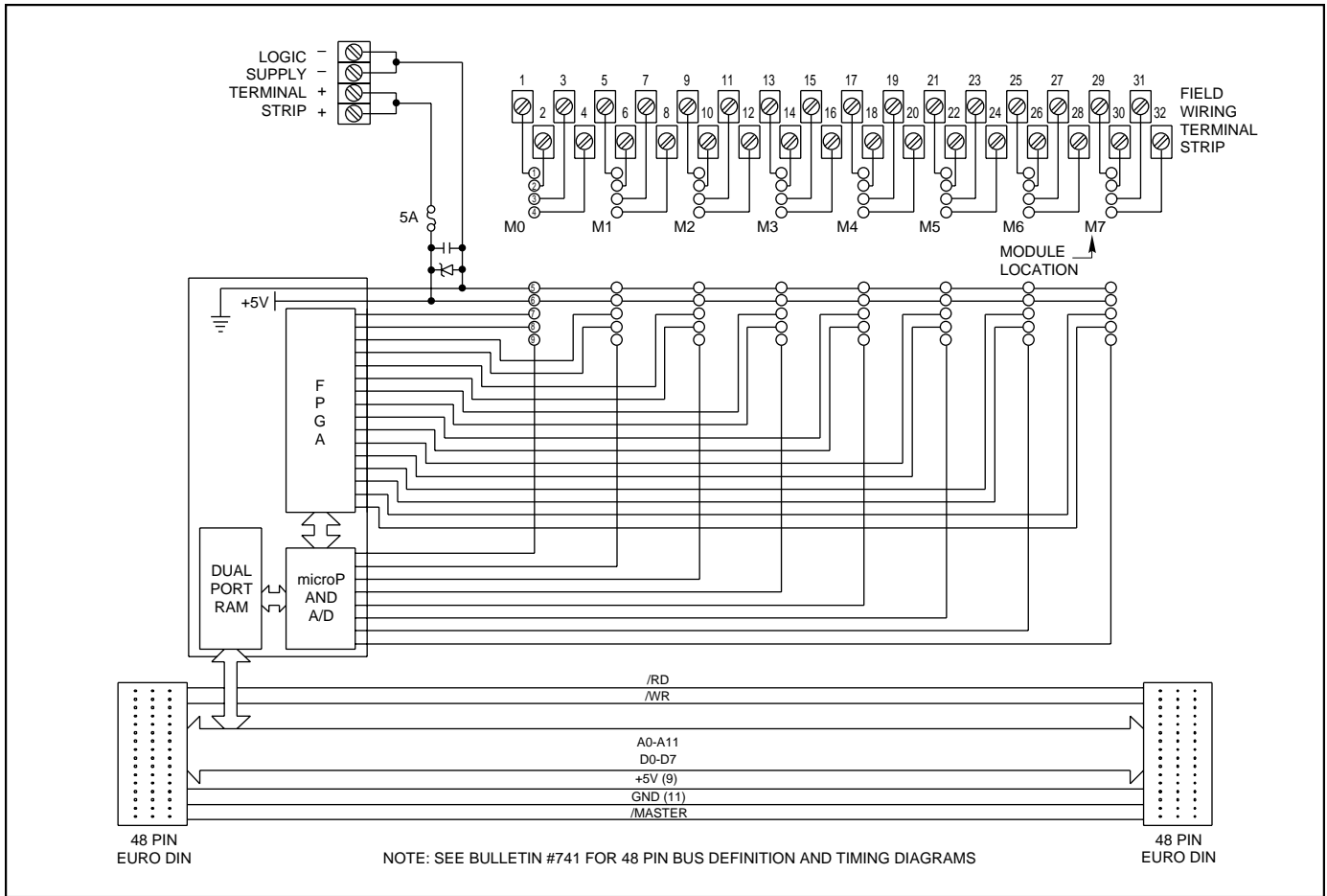
7SLIOB16P (WP VERSION SOLD WITH PLUGS)



7SLIOB16

OpenLine® Control System

**SCHEMATIC: Part No. 7SLIOB16 Smart Base with Memory Mapped I/O**



**ORDERING INFORMATION** (modules ordered separately)

| Part Number | I/O | Description   | UL | CSA | Style     |
|-------------|-----|---|----|-----|-----------|
| 7SLIOB16    | 16  | Smart bases with dual port RAM interface. 48-pin Euro DIN logic signal connector. DIN rail mount. | X  | X   | OpenLine® |
| 7SL10B16P   | 16  | Pluggable terminator (w/o plug)   | X  | X   | OpenLine® |
| 7SL10B16WP  | 16  | Pluggable terminator (w/plug)   | X  | X   | OpenLine® |
| 70L-JUMP6   | 16  | Six position jumper bar   |    |     | OpenLine® |

For General Control System Information see pages H-39 to H-42.

**ACCESSORIES**

See page H-54

**Available from your local Grayhill Distributor.** For prices and discounts, contact a local Sales Office, an authorized local Distributor or Grayhill.

**DIMENSIONS: Jumper Bars**

