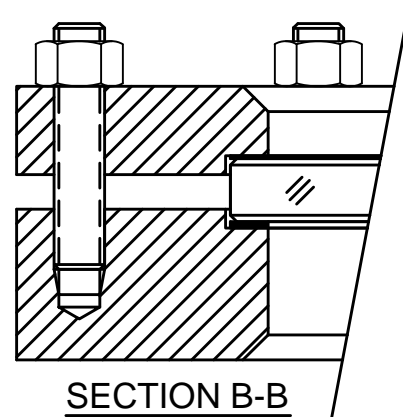
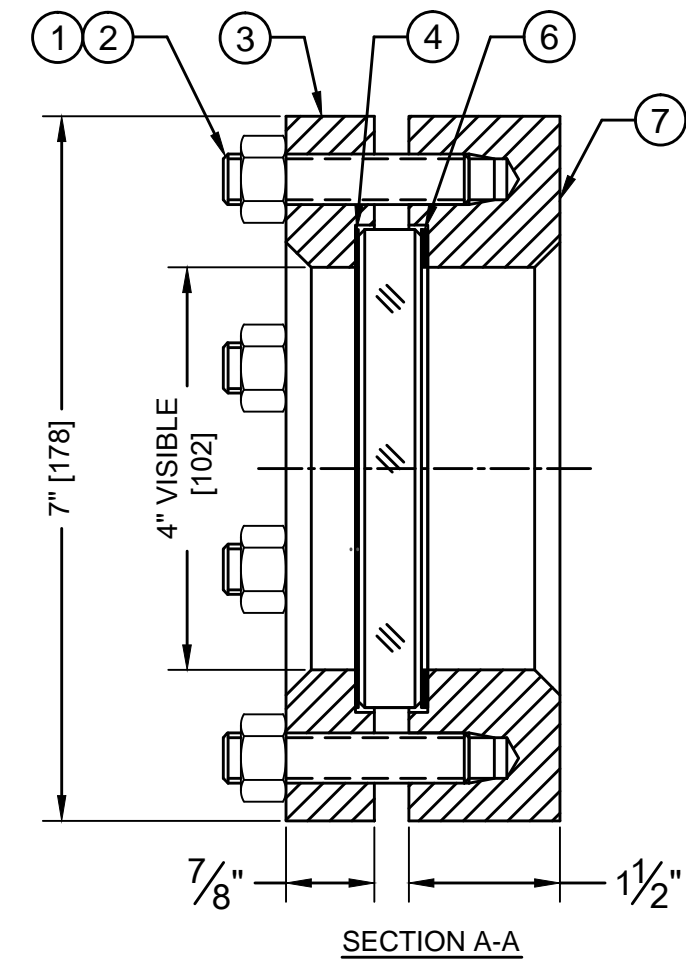
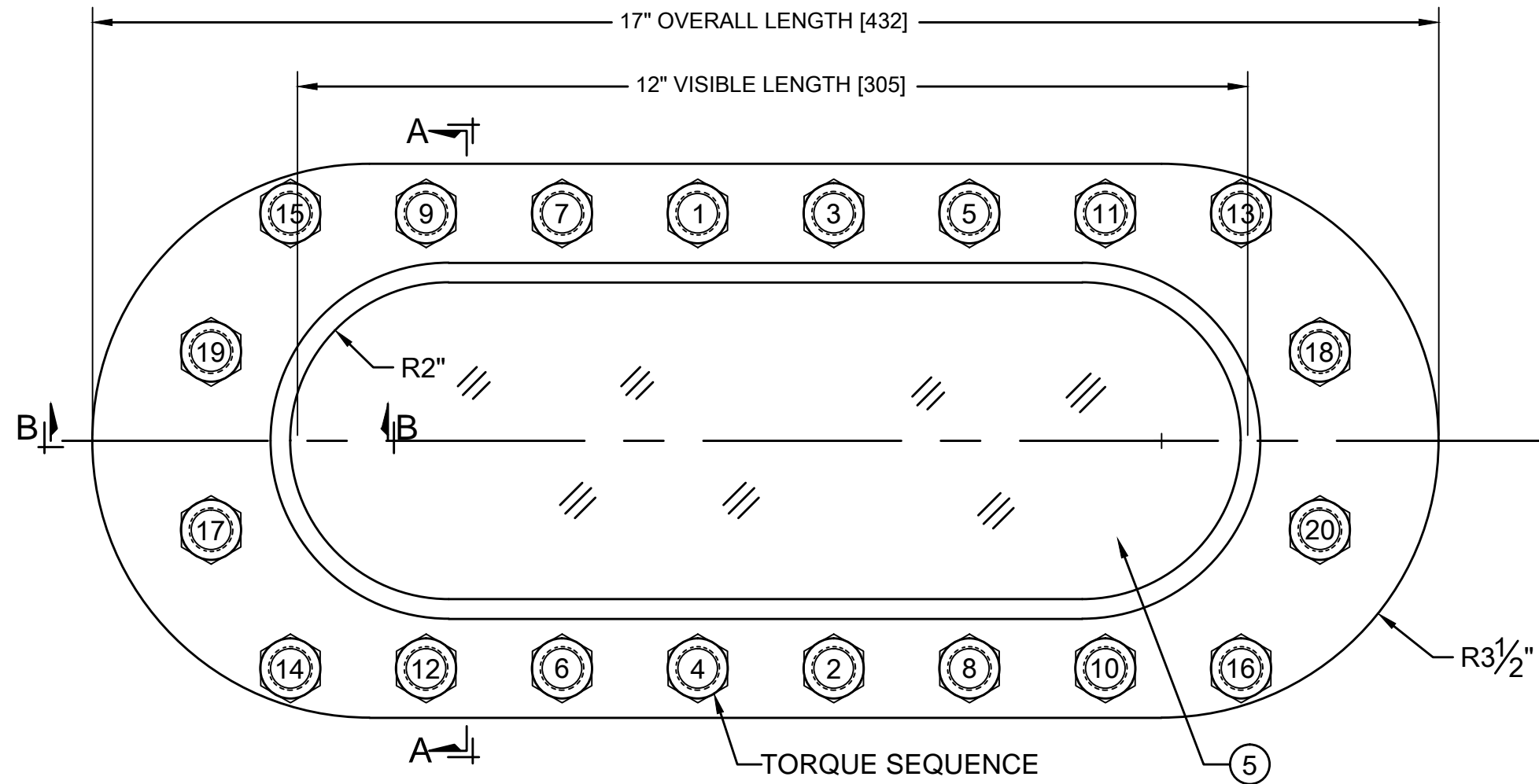


REVISION HISTORY				
ZONE	REV	DESCRIPTION	DATE	BY
-	00	ORIGINAL ISSUE	9/12/14	GCP



**Notes:**

- [1] Certified Mill Test Reports are included for Lens Retainer [SYM#3] and Weld Pad [SYM#7].
- [2] "Certificate of Conformance" stating compliance with drawing and sales order documents available upon request at time of order.
- [3] It is the vessel fabricator's responsibility to verify that the weld pad offers sufficient reinforcement for their particular application.
- [4] Read and understand Installation and maintenance manual\* before installation or service. Tighten fasteners in small increments to the values shown below following torque sequence shown do not exceed a maximum 3ft/lbs difference at anytime.

MODEL#	MAX. PRESSURE	ELASTOMERS	EXPANDED PTFE	GRAPHITE
RS-OB 4X12	150PS/FV	14 FT-LB	18 FT-LB	16 FT-LB

\*Installation and maintenance manuals may be found on line at [www.papailias.com](http://www.papailias.com) or by calling the factory at +1 (201)767-4027.

QTY	SYM	DESCRIPTION
1	7	WELD PAD
1	6	SEAL GASKET
1	5	LENS
1	4	CUSHION
1	3	LENS RETAINER
20	2	HEX NUT
20	1	THREADED STUD
QTY	SYM	DESCRIPTION
BILL OF MATERIAL		

UNLESS OTHERWISE NOTED:  
 DIMENSIONS ARE IN INCHES.  
 DIMENSIONS ARE SYMMETRICAL ABOUT CENTERLINES.  
 BREAK CORNERS, REMOVE BURRS.  
 CASTING FILLET RADII: 1/8" R  
 CAST CORER RADII: 1/16" R

MACHINING TOLERANCES:  
 FRACTIONS: + 1/64  
 DECIMALS: +/- 0.010  
 ANGLES: + 1/2 deg  
 FILLET RADII: 1/32" R  
 MACHINED FINISH: RA 125u in  
 SURFACE FINISH: WITHIN 1/64 FIM

Rating:  
 1. Max. Temperature: Dependant on glass and gasket selection.  
 2. Max. Pressure: 150PSI/FV



ASME CODE CALCULATIONS AND ANY RESULTING ADDITIONAL MATERIAL NEEDED TO REINFORCE SIGHT GLASS OPENING TO MEET ASME CODE IS THE RESPONSIBILITY OF THE VESSEL MANUFACTURER.

MODEL#: RS-OB/4X12  
 4" X 12" OB-ROUND VIEW WELD PAD STYLE SIGHT GLASS

THIS DRAWING IS THE SOLE PROPERTY OF THE J.G. PAPAILIAS COMPANY, INC AND NEITHER THE DOCUMENT NOR THE INFORMATION CONTAINED HEREIN SHALL BE COPIED, REPRODUCED, DISCLOSED OR TRANSFERRED EXCEPT AS AUTHORIZED IN WRITING BY AN OFFICER OF THE J.G. PAPAILIAS CO., INC.

DRAWN:	GCP	9/12/14	SIZE	CAGE CODE	DRAWING NUMBER	REV
CHECKED:	GCP	9/12/14	B	1Z740	01H412	0
APPROVED:	GCP	9/12/14	SCALE: 1/2	EST. WEIGHT: 58 LB [26 KG]	SHEET: 1 OF 1	