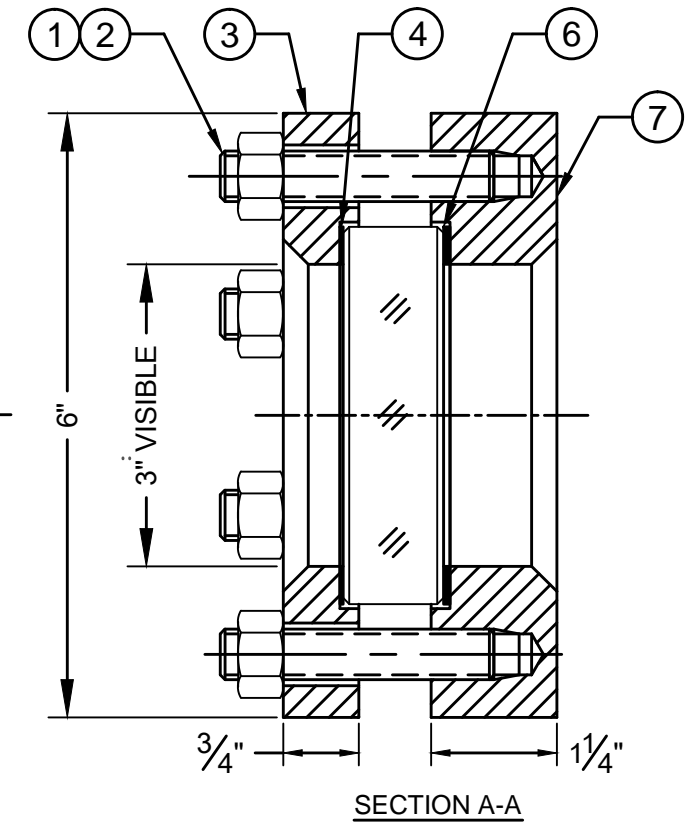
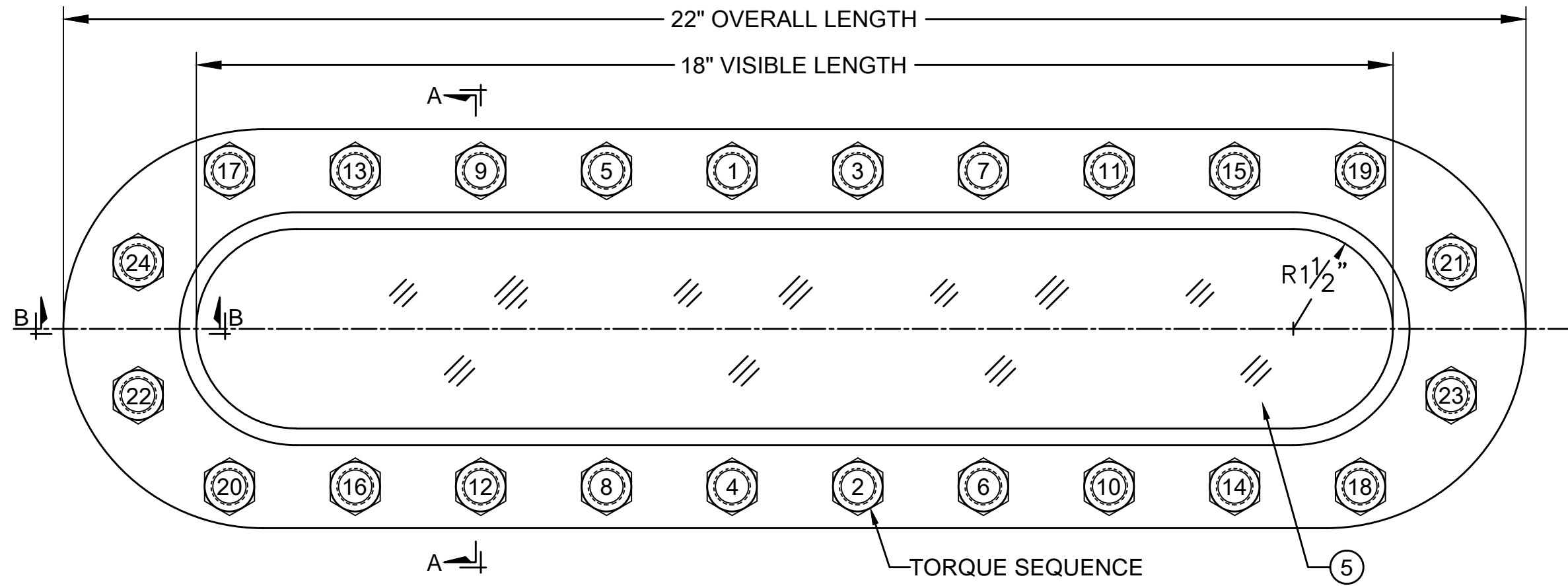


REVISION HISTORY				
ZONE	REV	DESCRIPTION	DATE	BY
-	00	ORIGINAL ISSUE	9/12/14	GCP



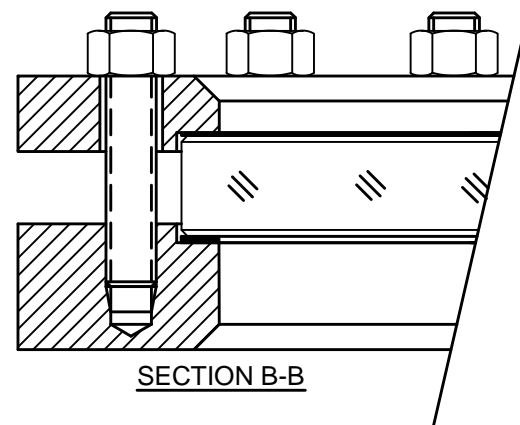
Notes:

- [1] Certified Mill Test Reports are included for Lens Retainer [SYM#3] and Weld Pad [SYM#7].
- [2] "Certificate of Conformance" stating compliance with drawing and sales order documents available upon request at time of order.
- [3] It is the vessel fabricator's responsibility to verify that the weld pad offers sufficient reinforcement for their particular application.
- [4] Read and understand Installation and maintenance manual* before installation or service. Tighten fasteners in small increments to the values shown below following torque sequence shown do not exceed a maximum 3ft/lbs difference at anytime.

MODEL#	MAX. PRESSURE	ELASTOMERS	EXPANDED PTFE	GRAPHITE
RS-OB 3X18	150PS/FV	14 FT-LB	17 FT-LB	16 FT-LB

*Installation and maintenance manuals may be found on line at www.papailias.com or by calling the factory at +1 (201)767-4027.

1	7	WELD PAD
1	6	SEAL GASKET
1	5	LENS
1	4	CUSHION
1	3	LENS RETAINER
24	2	HEX NUT
24	1	THREADED STUD
QTY	SYM	DESCRIPTION
BILL OF MATERIAL		



UNLESS OTHERWISE NOTED:
DIMENSIONS ARE IN INCHES.
DIMENSIONS ARE SYMMETRICAL ABOUT CENTERLINES.
BREAK CORNERS, REMOVE BURRS.
CASTING FILLET RADII: 1/8" R
CAST CORER RADII: 1/16" R

MACHINING TOLERANCES:
FRACTIONS: + 1/64
DECIMALS: +/- 0.010
ANGLES: + 1/2 deg
FILLET RADII: 1/32" R
MACHINED FINISH: RA 125u in
WITHIN 1/64 FIM

Rating:
1. Max. Temperature: Dependant on glass and gasket selection.
2. Max. Pressure: 150PSI/FV

ASME CODE CALCULATIONS AND ANY RESULTING ADDITIONAL MATERIAL NEEDED TO REINFORCE SIGHT GLASS OPENING TO MEET ASME CODE IS THE RESPONSIBILITY OF THE VESSEL MANUFACTURER.

THIS DRAWING IS THE SOLE PROPERTY OF THE J.G. PAPAILIAS COMPANY, INC AND NEITHER THE DOCUMENT NOR THE INFORMATION CONTAINED HEREIN SHALL BE COPIED, REPRODUCED, DISCLOSED OR TRANSFERRED EXCEPT AS AUTHORIZED IN WRITING BY AN OFFICER OF THE J.G. PAPAILIAS CO., INC.



MODEL#: RS-OB/3X18
3"X18" OB-ROUND VIEW WELD PAD STYLE SIGHT GLASS

DRAWN:	GCP	9/12/14	SIZE	CAGE CODE	DRAWING NUMBER	REV
CHECKED:	GCP	9/12/14	B	1Z740	01H318	0
APPROVED:	GCP	9/12/14	SCALE: 1/2	EST. WEIGHT: 58 LB [26 KG]	SHEET: 1 OF 1	