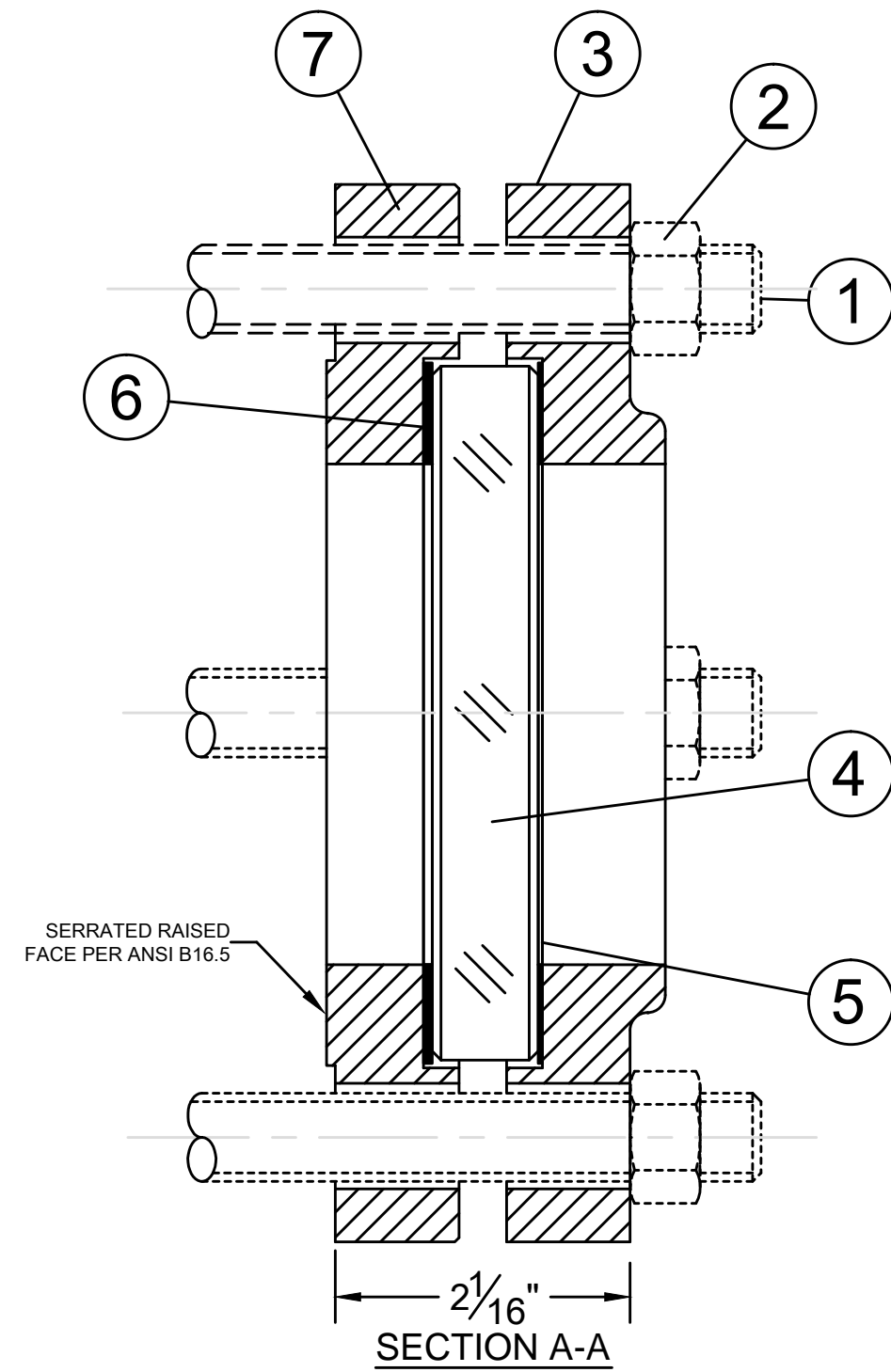
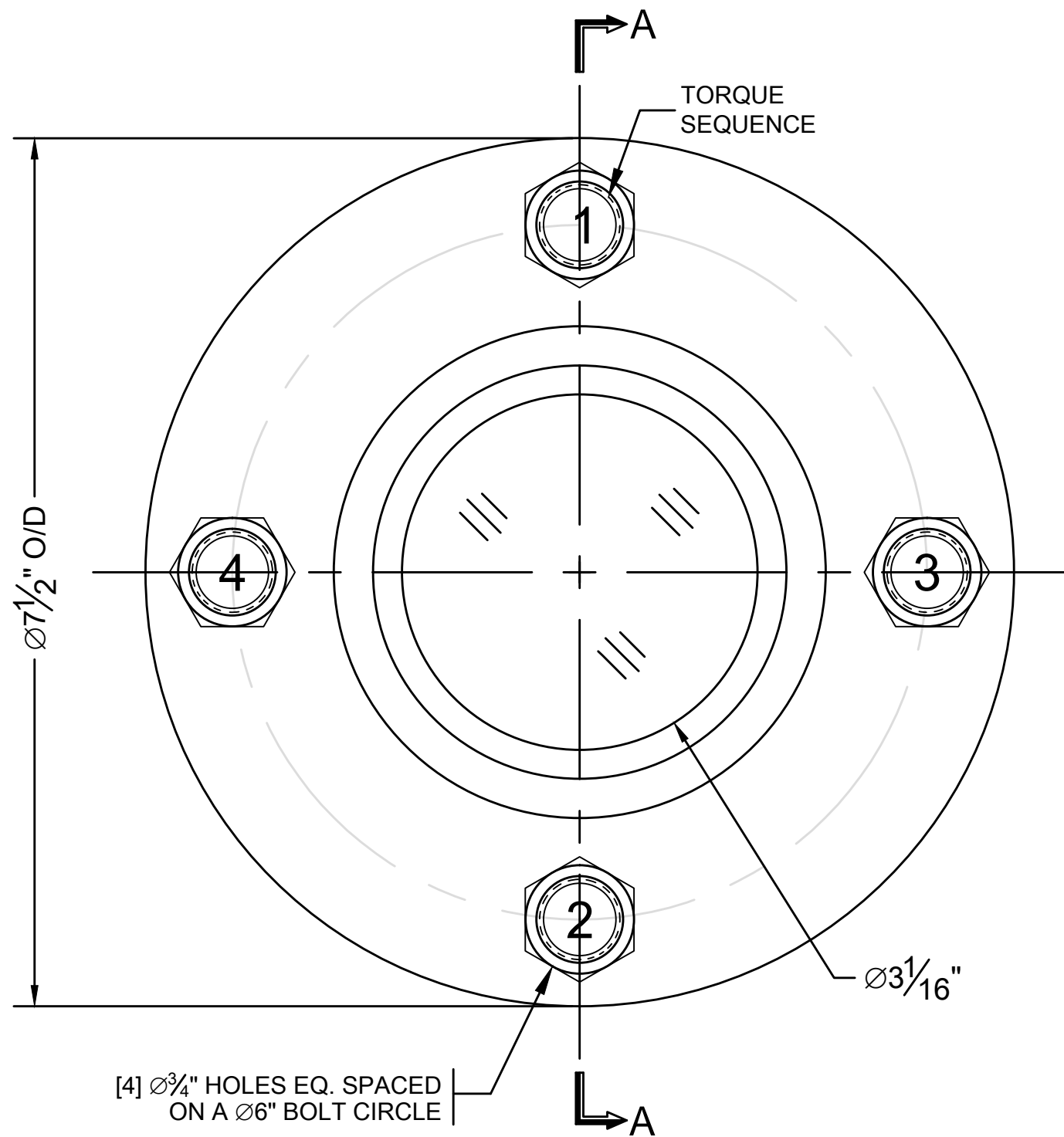


REVISIONS				
ZONE	REV	DESCRIPTION	DATE	APPROVED
	000	ORIGINAL ISSUE	6-4-13	GCP



\*FASTENERS ARE NOT INCLUDED IN SCOPE.

QTY	SYM	DESCRIPTION	SUP BY
1	7	SLIP-ON FLG	PAPAILIAS, INC.
1	6	SEAL GASKET	PAPAILIAS, INC.
1	5	CUSHION	PAPAILIAS, INC.
1	4	LENS	PAPAILIAS, INC.
1	3	LENS RETAINER	PAPAILIAS, INC.
8	2	HEX NUT, $\varnothing \frac{5}{8}$ "	OTHERS
4	1	BOLT/STUD, $\varnothing \frac{5}{8}$ "	OTHERS

BILL OF MATERIAL

Notes:

[1] Certified Mill Test Reports are included for Lens Retainer [SYM#3] and Weld Pad [SYM#7].

[2] "Certificate of Conformance" stating compliance with drawing and sales order documents available upon request at time of order.

[3] It is the vessel fabricator's responsibility to verify that the weld pad offers sufficient reinforcement for the particular application.

[4] Read and Understand Installation and maintenance manual before installation or service. Tighten fasteners in small increments to the values shown below following torque sequence shown do not exceed a maximum 3ft/lbs difference at anytime.

MODEL#	MAX. PRESSURE	ELASTOMERS	EXPANDED PTFE	GRAPHITE
3"NW-RF	150PS/FV	13 FT/LB	20 FT/LB	17 FT/LB

UNLESS OTHERWISE NOTED: DIMENSIONS ARE IN INCHES. DIMENSIONS ARE SYMMETRICAL ABOUT CENTERLINES. BREAK CORNERS, REMOVE BURRS. CASTING FILLET RADII:  $\frac{1}{8}$ " R. CAST CORER RADII:  $\frac{1}{16}$ " R.

MACHINING TOLERANCES:  
 FRACTIONS: +  $\frac{1}{64}$   
 DECIMALS: +/- 0.010  
 ANGLES: +  $\frac{1}{2}$  deg  
 FILLET RADII:  $\frac{1}{32}$ " R  
 MACHINED FINISH: RA 125u in  
 $\varnothing \pm f \square \circ$  WITHIN  $\frac{1}{64}$  FIM

ASME CODE CALCULATIONS AND ANY RESULTING ADDITIONAL MATERIAL NEEDED TO REINFORCE SIGHT GLASS OPENING TO MEET ASME CODE IS THE RESPONSIBILITY OF THE VESSEL MANUFACTURER.

THIS DRAWING IS THE SOLE PROPERTY OF THE J.G. PAPAILIAS COMPANY, INC AND NEITHER THE DOCUMENT NOR THE INFORMATION CONTAINED HEREIN SHALL BE COPIED, REPRODUCED, DISCLOSED OR TRANSFERRED EXCEPT AS AUTHORIZED IN WRITING BY AN OFFICER OF THE J.G. PAPAILIAS CO., INC.

Rating:

- Max. Temperature: Dependant on glass and gasket selection.
- Max. Pressure: 150PSI/FV

DRAWN:	GCP	9/12/14
CHECKED:	GCP	9/12/14
APPROVED:	GCP	9/12/14

**PAPAILIAS INCORPORATED**  
 245 PEGASUS AVE, NORTHVALE, NJ 07647 | [201]767-4027 WWW.PAPAILIAS.COM

MODEL#: 3"NW-RF  
 3" 150# FLANGED STYLE SIGHT GLASS

SIZE	CAGE CODE	DRAWING NUMBER	REV
B	1Z740	01B048	0

SCALE: 3/4	EST. WEIGHT: 18 LBS	SHEET: 1 OF 1
------------	---------------------	---------------