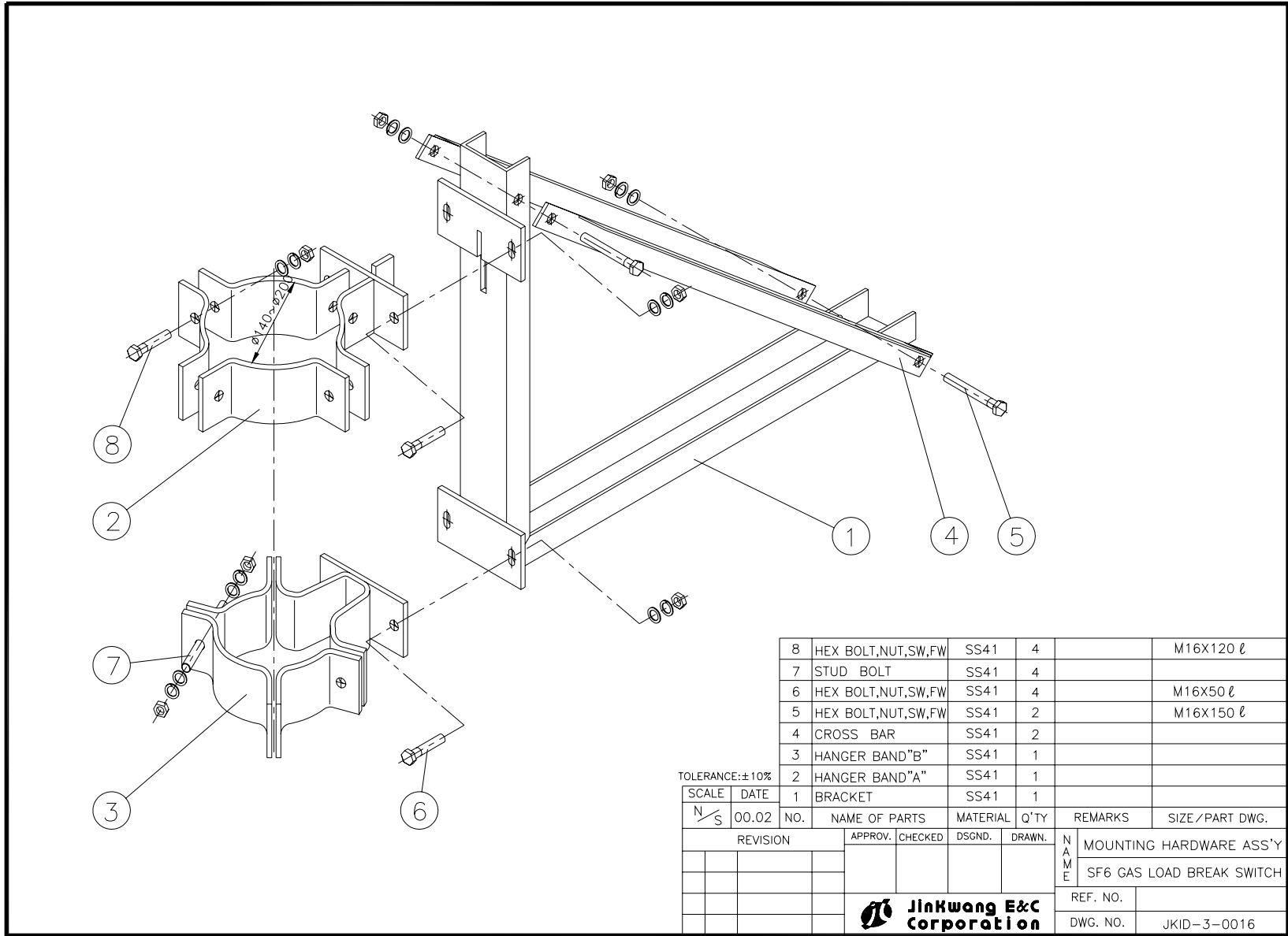


TOLERANCE: ±10%

SCALE	DATE	NO.	NAME OF PARTS	MATERIAL	Q'TY	REMARKS	SIZE / PART DWG.
N/S	2007.01						
REVISION			APPROV.	CHECKED	DSGND.	DRAWN.	N A M E S C H E M A T I C D I A G R A M (M A N U A L) S F 6 G A S L O A D B R E A K S W I T C H
						REF. NO.	
						DWG. NO.	JKGS-M-9100





8	HEX BOLT,NUT,SW,FW	SS41	4		M16X120 ℓ
7	STUD BOLT	SS41	4		
6	HEX BOLT,NUT,SW,FW	SS41	4		M16X50 ℓ
5	HEX BOLT,NUT,SW,FW	SS41	2		M16X150 ℓ
4	CROSS BAR	SS41	2		
3	HANGER BAND"B"	SS41	1		
2	HANGER BAND"A"	SS41	1		
1	BRACKET	SS41	1		

TOLERANCE:±10%

SCALE DATE

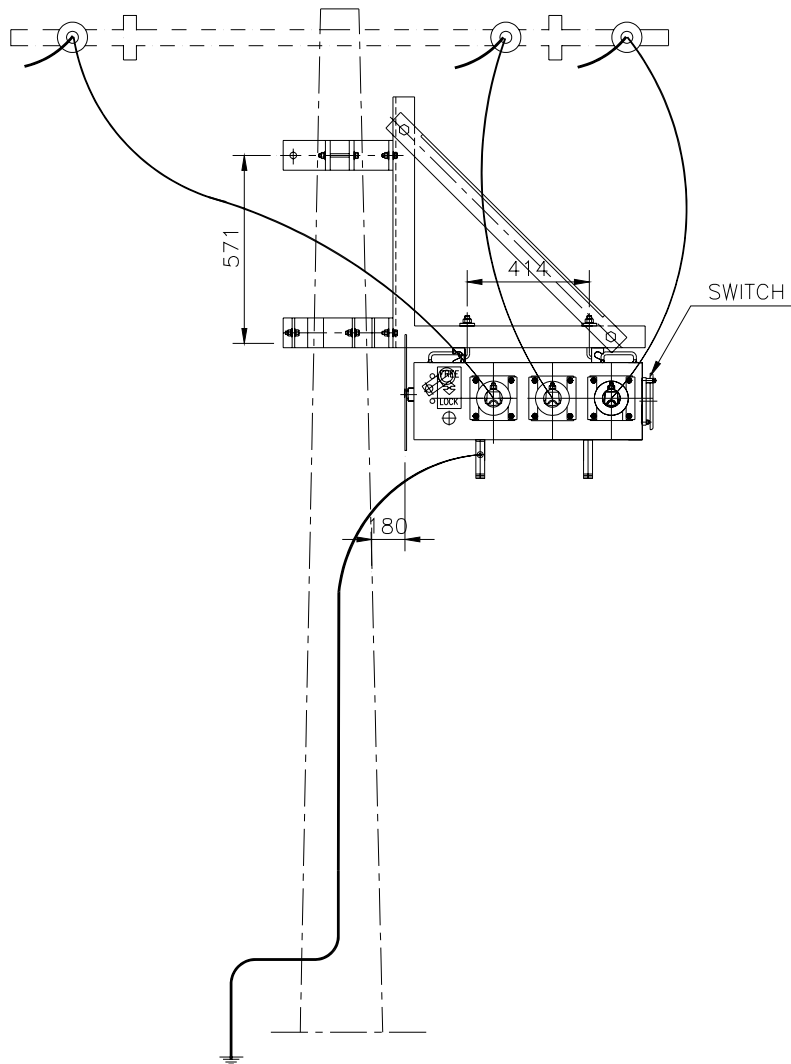
N/S 00.02

NO.	NAME OF PARTS	MATERIAL	Q'TY	REMARKS	SIZE/PART DWG.


REVISION	APPROV.	CHECKED	DSGND.	DRAWN.

NAME	MOUNTING HARDWARE ASS'Y	
	SF6 GAS LOAD BREAK SWITCH	
REF. NO.		
DWG. NO.	JKID-3-0016	

JinKwang E&C Corporation



TOLERANCE : $\pm 10\%$

SCALE	DATE						
N/S	2007.01	NO.	NAME OF PARTS	MATERIAL	Q'TY	REMARKS	SIZE/PART DWG.
REVISION			APPROV.	T. CHECKED	D. CHECKED	DSGND	
						NAME MOUNTING ARRANGEMENT SF ₆ GAS LOAD BREAK SWITCH	
							REF. NO.
			 Jin Kwang E&C Corporation			DWG. NO.	JKGS-M-0101