

# DECLARATION OF CONFORMITY

FUSION CF Series SCR Power Controller

Control Concepts, Inc.  
18760 Lake Drive East  
Chanhassen, MN 55317 USA



Declares that the following product:

Designation: FUSION CF Series Power Controller  
Model Numbers: Model CF followed by ZC, PA, followed by 1, 2 or 3, followed by 1 through 9 or A through E followed by number or letter, may be followed by numbers and/or letters, may be followed by numbers and/or letters.  
Classification: Solid State Power Controller, Class I, Pollution Degree II  
Rated Voltage: 24 - 600 Vac  
Rated Frequency: 45 - 65 Hz

Meets the essential requirements of the following European Union Directive(s) using the relevant section(s) of the normalized standards and related documents shown:

EN 60947-4-3: 2000 Low-voltage switchgear and controlgear

EMC Directive 2004/108/EC

-EN 61000-6-2: 2005

-EN61000-4-2: 1995 + Amendments A1:1998 + A2: 2001

-EN61000-4-3: 2006

-EN61000-4-4: 2004 + Corrigendum 2004

-EN61000-4-5: 2006

-EN61000-4-6: 2007

-EN61000-4-8: 1993 + Amendment A1: 2001

-EN61000-4-11 Second Edition: 2004

-EN 61000-6-4: 2007

ESD Immunity

Radiated Immunity

EFT / Burst Immunity

Surge Immunity

Conducted Immunity

Magnetic Field Immunity

Voltage Dips & Interruptions

Conducted & Radiated Emissions

Note 1: All power terminals must be populated as to keep the controller touch safe to comply with EN 60947-4-3.

Note 2: Controller must be mounted in a shielded enclosure to comply with EMC Directive 2004/108/EC.

Note 3: Controller must have appropriate line and control power filter to comply with EN61000-6-2.

Third party conformance testing conducted by TÜV America.

TÜV SÜD America Inc.  
Suite 104  
1774 Old Highway 8 NW  
New Brighton, MN 55112-1891

Name of Authorized Representative: Cory Watkins  
Title of Authorized Representative: President

Place of Issue: Chanhassen, Minnesota, USA  
Date of Issue: December 2010

Signature of Authorized Representative

12 | 20 | 2010

Date

External EMI filters must be used in conjunction with the FUSION series power controllers to maintain CE immunity\* approval. The following filters were used during the immunity testing.

Universal input power:  
Schaffner filter  
P/N: FN 2030-3-06

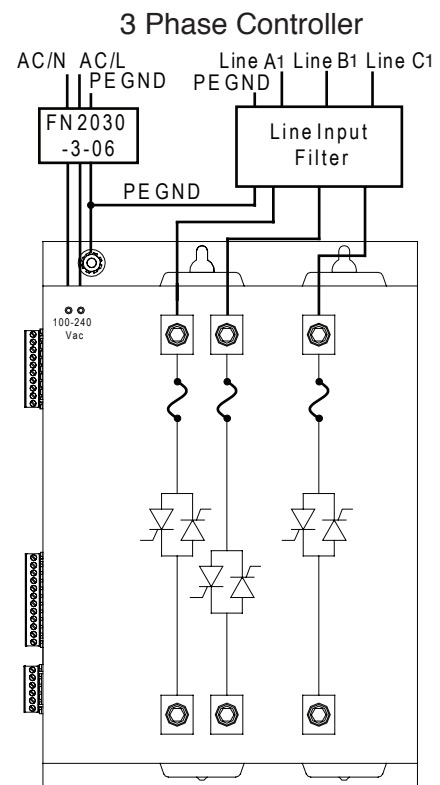
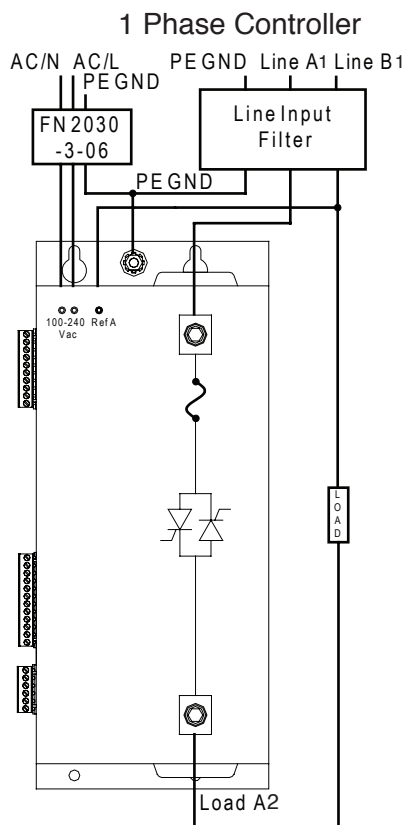
Line input power:  
Schaffner filter  
P/N: FN 3270H-35-33

The Schaffner filter for universal input power, or it's equivalent, may be used as listed above. The line input power filter however, will need to be sized accordingly for your load. Please contact Schaffner EMC Inc. for help finding the appropriate filter.

Schaffner EMC Inc.  
52 Mayfield Avenue | Edison, New Jersey 08837 / USA  
T 1-800-367-5566 | T 732-225-9533 | F 732-225-4789  
usasales@schaffner.com | <http://www.schaffner.com/us>

\*No filtering is required for emissions.

Wire filters as shown below:



Other wire diagrams are available, for models not listed here, by contacting Control Concepts, Inc.

**ATTENTION**

This product has been designed for class A equipment. Use of this product in domestic environments may cause radio interference, in which case the user may be required to employ additional mitigation methods.

**NOTICE**

This product has been designed for environment A. Use of this product in environment B may cause unwanted electromagnetic disturbances, in which case the user may be required to take adequate mitigation measures.