

MICROFUSION

SINGLE PHASE SCR POWER CONTROLLERS



FEATURES

Auto-Ranging Input Voltage

24 - 600 VAC, 45 - 65 Hz

AC Output

8, 16, 32, 50, 80 Amps (@ 50°C 6000 ft)

Control Features

Microprocessor-based controller / phase lock loop timing

Firing modes: zero-cross / phase angle /
Zero Cross Transformer (ZCT) Mode

Feedback: voltage, current, true power, external

Adjustable soft start

Output limits: voltage, current, power

Missing cycle detection

SYNC-GUARD™ and TRANS-GUARD™

Dedicated RUN/STOP bit

Analog Interface (Up to Two Analog Inputs)

Standard setpoint ranges: 0 - 5 Vdc, 4 - 20 mA

Field scalable 0 - 10 Vdc, 0 - 20 mA, or
potentiometer

Available Fieldbus Interfaces

DeviceNet™ EtherNet/IP

EtherCat Modbus RTU (RS-485)

PROFINET Modbus TCP (Ethernet)

Easy Setup via Plug-n-Play USB

Load / save configurations

Diagnostics with chart and log operations

OEM Options (Consult Factory)

UL-listed. External panel mount or liquid-cooled
heatsinks in single- and multizone configurations.

Line/load connections ring terminal option.

Two Year Warranty

OPTIONS

General Purpose Input

Second Analog Input Channel

Second setpoint, potentiometer input, or external
feedback

Pulse Width Modulation (PWM)

Alarm Relay

Form C relay output

2 x 16 Bit Analog Retransmits

Scalable 0/4 - 20 mA or 0 - 10 V

Current Limit, Power Limit, Voltage Limit

Remote Display

2-line, 16-character text display with five buttons

High Performance

True RMS power / load voltage feedback /
load current feedback / high resolution
control loop

Increased accuracy, linearity

Isolated I/O

500 VAC Isolation on Analog Inputs, General
Purpose Input, and Retransmits

External, Touchsafe Class T Fusing

CERTIFICATIONS



DESCRIPTION

MicroFUSION is an ultra-compact high-performance microprocessor-based power controller, available in single phase, three phase 4 SCR, or three phase 6 SCR models to control AC loads.

Resistive or transformer-connected loads can be controlled in either Phase Angle, Zero Cross, or Zero Cross Transformer (ZCT) Mode. Output is controlled linearly with respect to command signal and can be set to the average or RMS value of the voltage and current, as well as true instantaneous power or external feedback.

MicroFUSION Series power controllers are available in current ratings from 8, 16, 32, 50, 80 Amps AC. Auto-ranging voltage circuitry enables main supply voltage from 24-600 VAC, (45-65 Hz) eliminating the need for hardware jumpers or stocking multiple controllers for international voltages. A separate 24 Vdc power source supplies the control electronics and maintains critical communications to your control system when the mains are absent.

Status LEDs and an LED bar graph make operation and troubleshooting simple. A plug-n-play USB interface and free FUSION Control Panel software for the PC further simplifies installing and configuring the controller to your application. For example, controller settings can be duplicated simply by loading a configuration file saved from a previous unit.

Setpoints can be controlled through the standard analog or optional digital fieldbus interface. The factory-configured analog setpoint signal ranges are 0 - 5 Vdc and 4 - 20 mA, both of which are field scalable from 0 - 10 Vdc or 0 - 20 mA.

The fieldbus interface options include DeviceNet™, EtherNet/IP, EtherCAT, PROFINET, Modbus RTU (RS-485), or Modbus TCP. These can be used to communicate with a PLC or factory control system.

PROFINET, Modbus TCP, and EtherNet/IP are available as internal fieldbus options. All interfaces are available through an external module. Furthermore, a single external network module can control up to ten zones, reducing system installation costs.

The robust design of MicroFUSION allows for continuous full-frame current operation - without derating - at up to 50° C / 6000 ft altitude. Cooling is accomplished through either natural convection, forced air, optional external panel mount, or optional liquid-cooled chill plate.

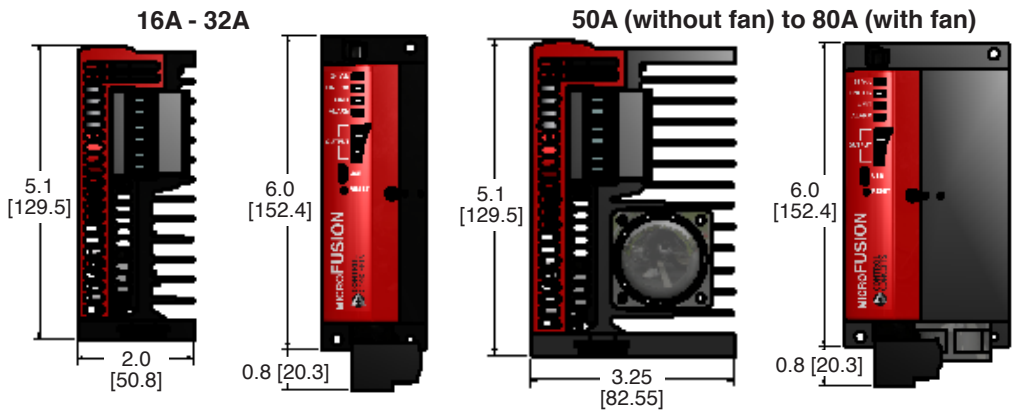
The optional remote display provides clear readouts of key electrical parameters and alarm status. Set-points, limits and alarms are touchpad accessible and easily customized. For additional convenience, a panel mounting kit is also provided, eliminating the need for costly external meters / indicators / switches and the associated costs of wiring and labor.



DIMENSIONS

Dimensions:
Inches [mm]

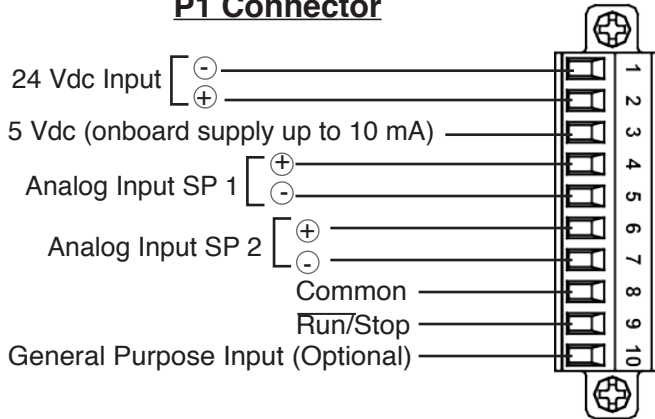
Single Phase



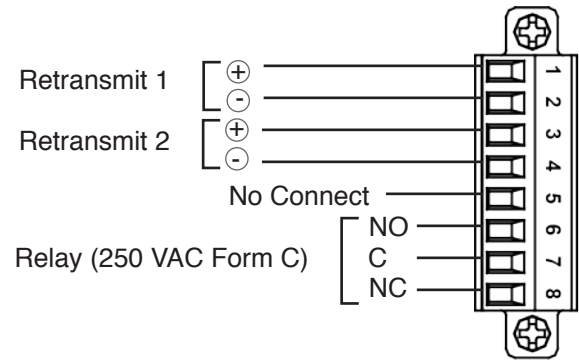
MicroFUSION can be mounted using a DIN rail mount or panel mount.

P1/P2 CONNECTOR

P1 Connector



P2 Connector



SPECIFICATIONS

POWER	
Line Voltage (Auto Ranging)	24 - 600 Vac (Nominal) +10% / -15% (Contact factory for other options)
Line Frequency (Auto Ranging)	45 - 65 Hz
Frame Current Ratings (Amps)	1 Continuous RMS (AC) 8 16 32 50 80
Current Rating- Peak Surge	20X frame rating
Minimum Hold/Latch Current	500 mA
SCR Rating (PIV)	1600 V peak forward & reverse
Fusing	Optional external Class T, branch-rated, touch-safe fusing
Thermal	Integrated heat sink thermal sensor
Current Limit	20% – 105% of continuous rating of Frame Amp Rating
Current Trip	50% - 450% of continuous rating
Power Dissipation	1.3 Watt per amp of load current per phase
Control Power / Operates Internal Control Electronics	24 Vdc +10 / -15%

PERFORMANCE

	Standard	High Performance Option
Setpoint Resolution	10k	10k or 64k
Internal Control Loop Resolution	16k	64k
Output Resolution	12k @ 50Hz, 10k @ 60Hz	50k @ 50Hz, 42k @ 60Hz
Accuracy (Full Conduction)		
Voltage	3% of span	0.5% of span
Current	3% of span	0.5% of span
Power	3% of span	1% of span
Output Linearity	4% from 5 to 100% output range	1% from 5 to 100% output range
Accuracy	A +10% to -15% line voltage change will result in a max output change of 0.5% from 5 to 100% output range	A +10% to -15% line voltage change will result in a max output change of 0.05% from 5 to 100% output range
Temperature Drift	Output shall not change greater than 0.5% per degree C max over the operating temperature range from 5 to 100% output range	Output shall not change greater than 0.2% per degree C max over the operating temperature range from 5 to 100% output range

ANALOG SETPOINT INPUTS

Voltage	0 - 10V	0 to 65535	Update period: 6 ms
Current	0 - 20 mA	0 to 32767	
Pulse Width Modulation	0 - 100%	Frequency range: 20 Hz to 2KHz or up to 2KHz max	

ENVIRONMENTAL

Surrounding Air Operating Temperature	32°F [0°C] - 122°F [50°C]
Humidity	20% to 90% RH Non-Condensing
Rated Operating Altitude	Up to 6000 ft [1750m] at full rated current
Contaminates	ROHS Compliant, CE Pollution Degree 2
Storage Temperature	- 4 to 176°F [- 20 to 80°C]

DC POWER CONSUMPTION

16 - 50 Amp Single Phase	9 Watts
80 Amp Single Phase	11 Watts
Onboard Fieldbus Module	Add 0.7 Watts
CCI Connect Module	Add 6 Watts

ENCLOSURE PROTECTIVE RATING

International	IP 20
Remote Display	IP 65, UL Type 1 & 12

SCCR

Frame 1 Ø or 3 Ø	Recommended Fusing	SCCR Rating
8 Amp	10 Amp Fast Acting J or T	100 kA
16 Amp	20 Amp Fast Acting J or T	100 kA
32 Amp	40 Amp Fast Acting J or T	100 kA
50 Amp	60 Amp Fast Acting J or T	100 kA
80 Amp	100 Amp Fast Acting J or T	100 kA

ISOLATION

Signal to Line/Load	3750 Vac minimum
Line/Load to Ground	2500 Vac minimum
Signal to Ground	1500 Vac minimum
Line to Load	1400 Vac minimum
Network	1500 Vac minimum
USB	2500 Vac minimum
Signal to Processor	1500 Vac minimum
Remote Display	2500 Vac minimum

RELIABILITY

Mean Time Between Failure (MTBF)	Designed for 50,000 Hours
----------------------------------	---------------------------

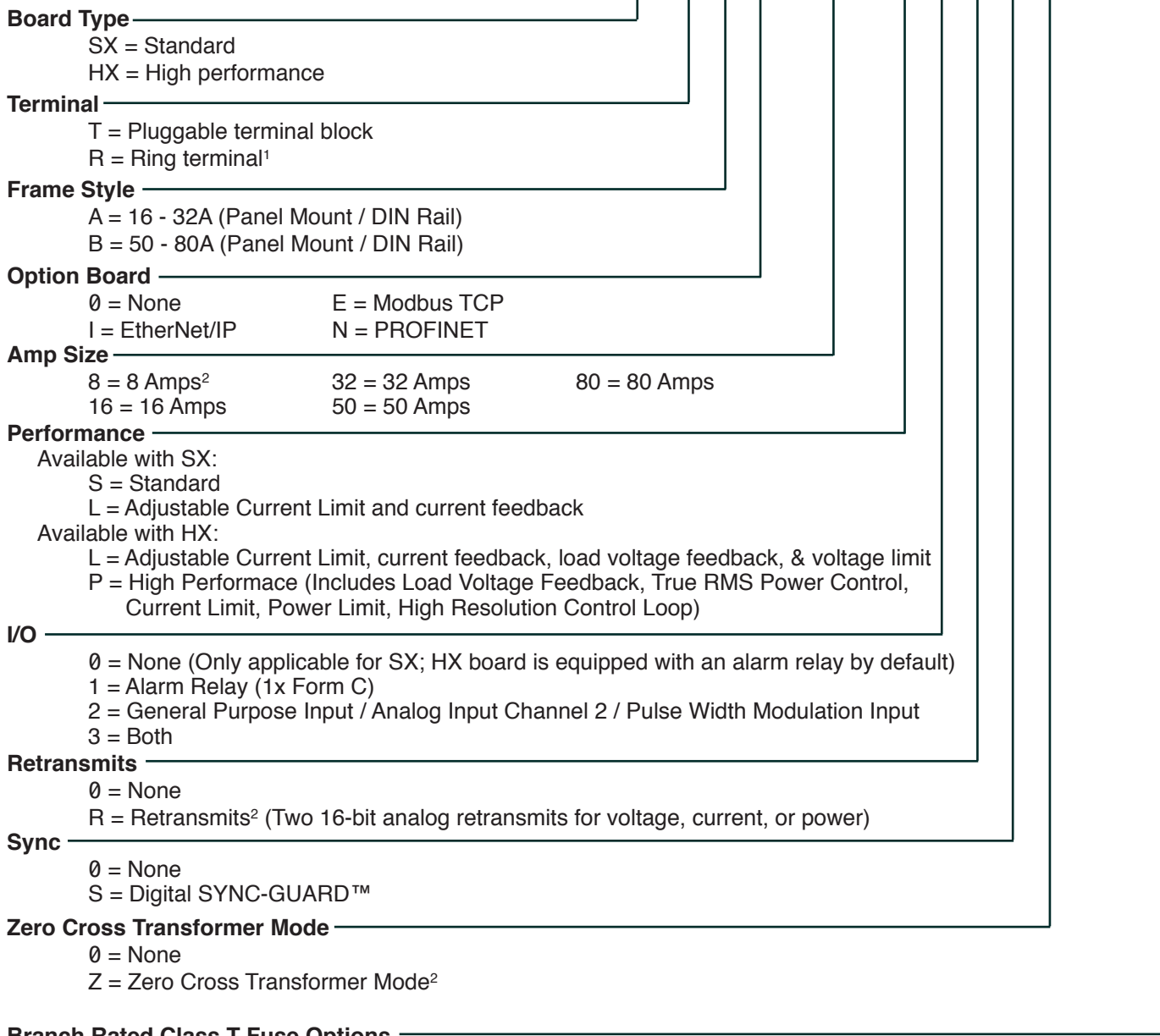
FEATURE COMPARISON

MicroFUSION is available with one of four performance options: SX-S (Standard board), SX-L (Standard board with Current features), HX-L (High Performance Board with Current and Voltage features) and HX-P (Fully populated High Performance Board)

● = Included ○ = Field Upgradable Option
 □ = Option Available at Manufacturing Time - = Not available

FEATURE LIST	SX-S	SX-L	HX-L	HX-P
24-600 VAC Auto-Ranging Input	●	●	●	●
Phase Angle and Zero Cross Firing Modes	●	●	●	●
LED Bar Graph	●	●	●	●
Touchsafe Design	●	●	●	●
UL-Listed, CE, 100kA SCCR, and RoHS certifications	●	●	●	●
Micro USB Connection (USB Plug-N-Play)	●	●	●	●
Free Control Panel Software	●	●	●	●
DIN Rail Mountable	●	●	●	●
Panel Mount	●	●	●	●
RUN/STOP,	●	●	●	●
Overcurrent Trip	●	●	●	●
Analog Input (0-10V, 0/4-20 mA or potentiometer)	●	●	●	●
CCI Link™ Connectivity	●	●	●	●
Fixed Current Limit - 105% of Frame	●	-	-	-
Adjustable Current Limit	○	●	●	●
Alarm Relay	○	○	●	●
Current Control	○	●	●	●
Load Voltage Control	-	-	●	●
Voltage Limit	-	-	●	●
Monitor Current	○	●	●	●
Analog Channel 2 Input	○	○	○	○
General Purpose Input	○	○	○	○
Pulse Width Modulation Input	○	○	○	○
Accessory Option: Remote Display	○	○	○	○
SYNC-GUARD™ Connectivity	○	○	○	○
External Fieldbus Options: DeviceNet, Modbus TCP, Modbus RTU, EtherNet/IP, PROFINET, EtherCat	○	○	○	○
Internal Fieldbus Options: PROFINET, Modbus TCP, and EtherNet/IP	□	□	□	□
External Panel Mount Heatsink	□	□	□	□
Water-Cooled Heatsink	□	□	□	□
Zero Cross Transformer Firing Mode	-	-	○	○
Retransmit (RTX): 2x High Resolution Analog Retransmits 0-10 VDC or 0/4-20 mA	-	-	○	○
Power Limit	-	-	○	●
True Power Control	-	-	○	●
Monitor True RMS Power	-	-	○	●
High Resolution Control Loop	-	-	○	●

MODEL NUMBERS



Blank = None		
F010 = 10A	F035 = 35A	F070 = 70A
F015 = 15A	F040 = 40A	F080 = 80A
F020 = 20A	F045 = 45A	F090 = 90A
F025 = 25A	F050 = 50A	F100 = 100A
F030 = 30A	F060 = 60A	See "Fusing Options," page 7, for more information.

¹ Contact factory for availability
² Only available with HX type board

FUSING OPTIONS

All touchsafe kits have 600 VAC, Branch-Rated, Class T Fusing

Single phase controllers require 2 Pole Fuseblocks.

TOUCHSAFE KITS

MODEL NUMBER	CCI PART NUMBER	AMP SIZE	DESCRIPTION
F010	SFKTS62T10	10	2 Pole Assy - 2 x Fuse, 1 x Block, 2 x Cover
F015	SFKTS62T15	15	2 Pole Assy - 2 x Fuse, 1 x Block, 2 x Cover
F020	SFKTS62T20	20	2 Pole Assy - 2 x Fuse, 1 x Block, 2 x Cover
F025	SFKTS62T25	25	2 Pole Assy - 2 x Fuse, 1 x Block, 2 x Cover
F030	SFKTS62T30	30	2 Pole Assy - 2 x Fuse, 1 x Block, 2 x Cover
F035	SFKTS62T35	35	2 Pole Assy - 2 x Fuse, 1 x Block, 2 x Cover
F040	SFKTS62T40	40	2 Pole Assy - 2 x Fuse, 1 x Block, 2 x Cover
F045	SFKTS62T45	45	2 Pole Assy - 2 x Fuse, 1 x Block, 2 x Cover
F050	SFKTS62T50	50	2 Pole Assy - 2 x Fuse, 1 x Block, 2 x Cover
F060	SFKTS62T60	60	2 Pole Assy - 2 x Fuse, 1 x Block, 2 x Cover
F070	SFKTS61T70	70	1 Pole Assy - 1 x Fuse, 1 x Block, 1 x Cover (2 included)
F080	SFKTS61T80	80	1 Pole Assy - 1 x Fuse, 1 x Block, 1 x Cover (2 included)
F090	SFKTS61T90	90	1 Pole Assy - 1 x Fuse, 1 x Block, 1 x Cover (2 included)
F100	SFKTS61T100	100	1 Pole Assy - 1 x Fuse, 1 x Block, 1 x Cover (2 included)

Recommended fuse sizing: 1.25 x SCR frame rating (Amps).

For Phase Angle, select closest standard fuse size.

For Zero Cross, select next largest size.

ACCESSORIES

CCI LINK™

MicroFUSION features CCI Link™ (Figure 1), a proprietary deterministic digital bus that enables multiple Control Concepts devices to communicate with each other. CCI Link™ is currently used to enable SYNCGUARD™ over a digital bus. The ability to daisy-chain multiple MicroFUSION units will be released soon.



Figure 1

Available cable lengths:

6 inch: 0058003-0050-005	1 foot: 0058003-0050-01
5 foot: 0058003-0050-05	10 foot: 0058003-0050-10
15 foot: 0058003-0050-15	

FIELD BUS INTERFACE

Modbus RTU (RS-485), Modbus TCP (Ethernet), DeviceNet, EtherNet/IP, EtherCAT, or PROFINET. Simplify your cabling, eliminate A/D conversion error, and gain access to monitor information.

Internal interface option: Modbus TCP, EtherNet/IP, PROFINET

External interface option: All fieldbus interfaces are available. Controls up to ten zones.

REMOTE DISPLAY

Easily view and customize limits, set-points, and alarm conditions
2-Line, 16-character text display (Figure 2)
UL-type 1 & 12 ratings, IP65

5 foot cable: SMAUFUSION-RDK5
15-foot cable: SMAUFUSION-RDK15
25-foot cable: SMAUFUSION-RDK25



Figure 2

DIN RAIL POWER SUPPLIES

24 VDC DIN Rail Power Supply: 24, 60, or 100 Watts

USB CABLE

15 ft [4.92m] Micro USB cable: 0058006-0000-15

OTHER ACCESSORIES

Please contact us for fuse sizing and other accessory needs and we would be happy to accommodate you.

CONTACT/ORDERING INFORMATION

TEL: (952) 474-6200 | (800) 765-2799
FAX: (952) 474-6070 | www.ccipower.com
18760 Lake Drive East, Chanhassen, MN 55317, USA



**CONTROL
CONCEPTS**