

Type DL AC Rated 100 °C Dry HID Lighting Capacitors

Round Plastic Case, Insulated Stranded Wire Leads, Metallized Polypropylene



Type DL dry capacitors are ideal for lighting applications. The dry construction eliminates the possibility of any oil leaking from the capacitor. Type DL is a 60,000 hour life capacitor packaged in a round plastic case with long insulated stranded wire leads for easy connection. Mounting hardware is available to give the user flexibility in mounting or placing the units in confined quarters.

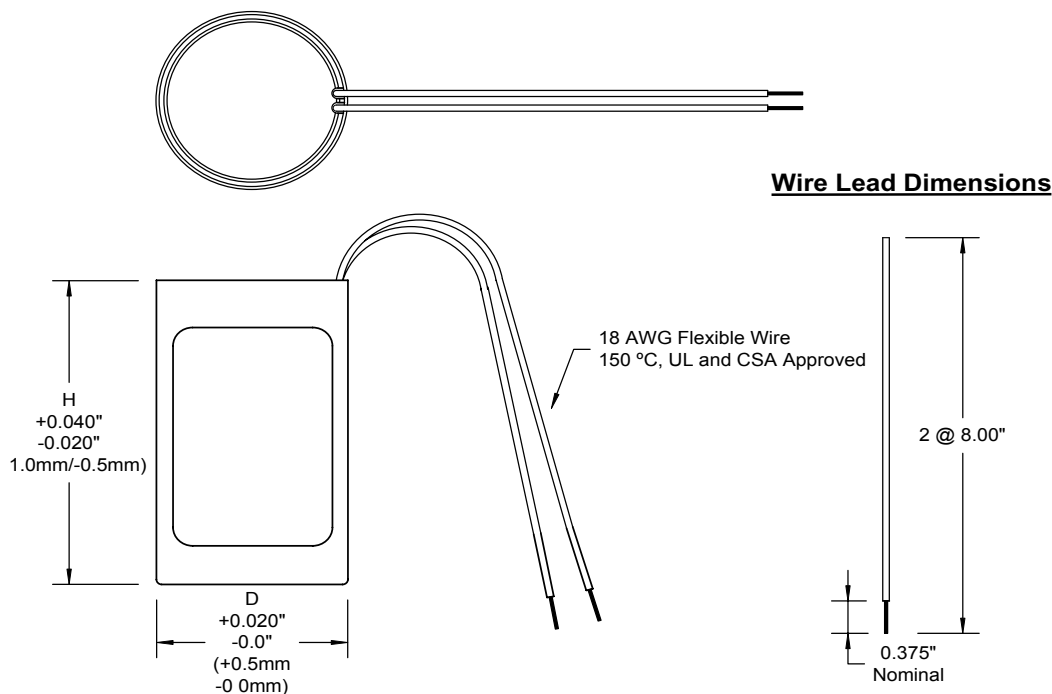
Highlights:

- Dry construction- UL94V0 dry resin filled
- 60,000 hours life
- Inherently safe - self healing metallized film
- UL recognized under E71645 (construction only - unprotected)
- Mounting hardware available
- 94V0 plastic case and insulated stranded wire leads
- No exposed live parts
- No grounding required
- No clearance requirements
- Supplied with or without internal resistor

Specifica-

- Capacitance Range:** 5.0 μ F to 75 μ F
- Voltage Range:** 120, 170, 200, 240, 280, 300, 360, 400 Vac
- Capacitance Tolerance:** \pm 3%
- Temperature Range:** -25 °C to +100 °C
- Operating Frequency:** 50/60 Hz

Outline Drawing

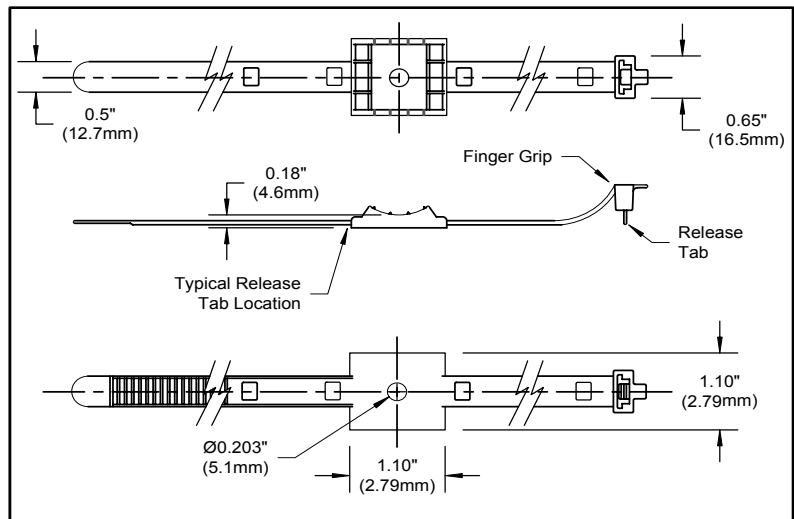
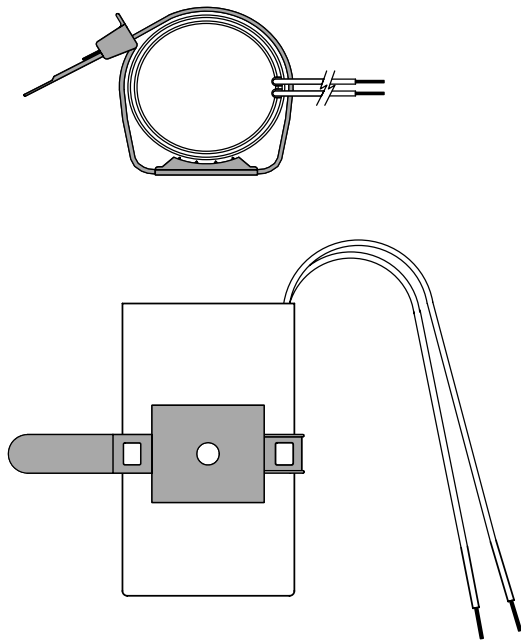


Type DL AC Rated 100 °C Dry HID Lighting Capacitors

Part Numbering System

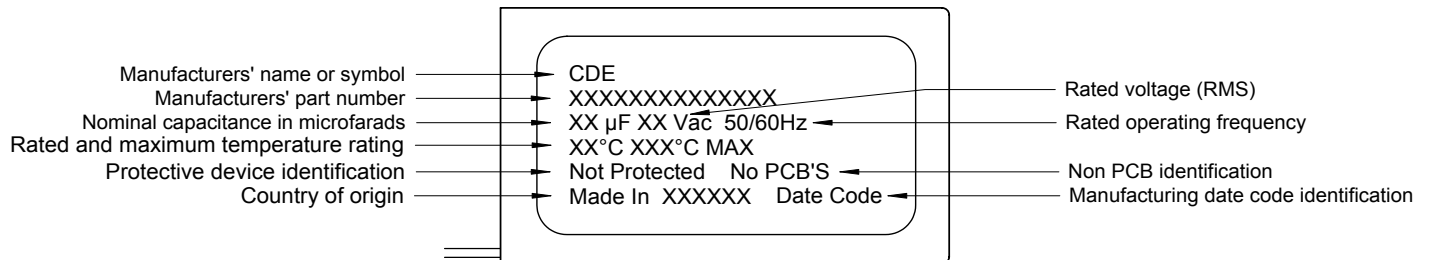
DL	BB	24	P	5	L	55	W
Type	Base Type	Rated AC Voltage	Case Material	Cap	Tol.	Height	Terminals
DL	AA = 30 mm	12 = 120 Vac	P = Plastic case, no cover	5 = 5.0 μ F	L = \pm 3%	55 = 55 mm	W = Insulated wire leads
	BB = 40 mm	17 = 170 Vac	Q = Plastic case, plastic cover	18.5 = 18.5 μ F	X = Other	68 = 68 mm	WR = Insulated wire leads with internal resistor
	CC = 45 mm	20 = 200 Vac	X = Other case types	20 = 20 μ F		92 = 92mm	
	DD = 50 mm	24 = 240 Vac				117 = 117 mm	WT = Insulated wire leads with 1/4" terminals
		28 = 280 Vac					Z = Customer Specified
		30 = 300 Vac					
		36 = 360 Vac					
		40 = 400 Vac					

HID Mounting Hardware



Capacitor Diameter		Base Code	Bracket Part Number
(in)	(mm)		
1.18	30	AA	PDUMS2445
1.58	40	BB	PDUMS3245
1.77	45	CC	PDUMS3245
1.97	50	DD	PDUMS3245

Marking Requirements



Type DL AC Rated 100 °C Dry HID Lighting Capacitors

Ratings

Cap (µF)	120 Vac			200 Vac			240 Vac		
	Catalog Part Number	Dia. in (mm)	Ht. in (mm)	Catalog Part Number	Dia. in (mm)	Ht. in (mm)	Catalog Part Number	Dia. in (mm)	Ht. in (mm)
5	DLAA12P5L68W	1.18 (30)	2.68 (68)	DLAA20P5L68W	1.18 (30)	2.68 (68)	DLAA24P5L68W	1.18 (30)	2.68 (68)
6	DLAA12P6L68W	1.18 (30)	2.68 (68)	DLAA20P6L68W	1.18 (30)	2.68 (68)	DLAA24P6L68W	1.18 (30)	2.68 (68)
7	DLAA12P7L68W	1.18 (30)	2.68 (68)	DLAA20P7L68W	1.18 (30)	2.68 (68)	DLAA24P7L68W	1.18 (30)	2.68 (68)
8	DLAA12P8L68W	1.18 (30)	2.68 (68)	DLAA20P8L68W	1.18 (30)	2.68 (68)	DLAA24P8L68W	1.18 (30)	2.68 (68)
8.4	DLAA12P8.4L68W	1.18 (30)	2.68 (68)	DLAA20P8.4L68W	1.18 (30)	2.68 (68)	DLAA24P8.4L68W	1.18 (30)	2.68 (68)
10	DLAA12P10L68W	1.18 (30)	2.68 (68)	DLAA20P10L68W	1.18 (30)	2.68 (68)	DLAA24P10L68W	1.18 (30)	2.68 (68)
11	DLAA12P11L68W	1.18 (30)	2.68 (68)	DLAA20P11L68W	1.18 (30)	2.68 (68)	DLBB24P11L68W	1.58 (40)	2.68 (68)
12	DLAA12P12L68W	1.18 (30)	2.68 (68)	DLAA20P12L68W	1.18 (30)	2.68 (68)	DLBB24P12L68W	1.58 (40)	2.68 (68)
13	DLAA12P13L68W	1.18 (30)	2.68 (68)	DLAA20P13L68W	1.18 (30)	2.68 (68)	DLBB24P13L68W	1.58 (40)	2.68 (68)
14	DLAA12P14L68W	1.18 (30)	2.68 (68)	DLAA20P14L68W	1.18 (30)	2.68 (68)	DLBB24P14L68W	1.58 (40)	2.68 (68)
15	DLAA12P15L68W	1.18 (30)	2.68 (68)	DLBB20P15L68W	1.58 (40)	2.68 (68)	DLBB24P15L68W	1.58 (40)	2.68 (68)
16	DLBB12P16L68W	1.58 (40)	2.68 (68)	DLBB20P16L68W	1.58 (40)	2.68 (68)	DLBB24P16L68W	1.58 (40)	2.68 (68)
17	DLBB12P17L68W	1.58 (40)	2.68 (68)	DLBB20P17L68W	1.58 (40)	2.68 (68)	DLBB24P17L68W	1.58 (40)	2.68 (68)
17.5	DLBB12P17.5L68W	1.58 (40)	2.68 (68)	DLBB20P17.5L68W	1.58 (40)	2.68 (68)	DLBB24P17.5L68W	1.58 (40)	2.68 (68)
18	DLBB12P18L68W	1.58 (40)	2.68 (68)	DLBB20P18L68W	1.58 (40)	2.68 (68)	DLBB24P18L68W	1.58 (40)	2.68 (68)
18.5	DLBB12P18.5L68W	1.58 (40)	2.68 (68)	DLBB20P18.5L68W	1.58 (40)	2.68 (68)	DLBB24P18.5L68W	1.58 (40)	2.68 (68)
20	DLBB12P20L68W	1.58 (40)	2.68 (68)	DLBB20P20L68W	1.58 (40)	2.68 (68)	DLBB24P20L68W	1.58 (40)	2.68 (68)
20.5	DLBB12P20.5L68W	1.58 (40)	2.68 (68)	DLBB20P20.5L68W	1.58 (40)	2.68 (68)	DLBB24P20.5L68W	1.58 (40)	2.68 (68)
21	DLBB12P21L68W	1.58 (40)	2.68 (68)	DLBB20P21L68W	1.58 (40)	2.68 (68)	DLBB24P21L68W	1.58 (40)	2.68 (68)
22	DLBB12P22L68W	1.58 (40)	2.68 (68)	DLBB20P22L68W	1.58 (40)	2.68 (68)	DLBB24P22L68W	1.58 (40)	2.68 (68)
22.5	DLBB12P22.5L68W	1.58 (40)	2.68 (68)	DLBB20P22.5L68W	1.58 (40)	2.68 (68)	DLBB24P22.5L68W	1.58 (40)	2.68 (68)
24	DLBB12P24L68W	1.58 (40)	2.68 (68)	DLBB20P24L68W	1.58 (40)	2.68 (68)	DLCC24P24L68W	1.77 (45)	2.68 (68)
24.5	DLBB12P24.5L68W	1.58 (40)	2.68 (68)	DLBB20P24.5L68W	1.58 (40)	2.68 (68)	DLCC24P24.5L68W	1.77 (45)	2.68 (68)
25	DLBB12P25L68W	1.58 (40)	2.68 (68)	DLBB20P25L68W	1.58 (40)	2.68 (68)	DLCC24P25L68W	1.77 (45)	2.68 (68)
25.5	DLBB12P25.5L68W	1.58 (40)	2.68 (68)	DLBB20P25.5L68W	1.58 (40)	2.68 (68)	DLCC24P25.5L68W	1.77 (45)	2.68 (68)
26	DLBB12P26L68W	1.58 (40)	2.68 (68)	DLBB20P26L68W	1.58 (40)	2.68 (68)	DLCC24P26L68W	1.77 (45)	2.68 (68)
26.5	DLBB12P26.5L68W	1.58 (40)	2.68 (68)	DLBB20P26.5L68W	1.58 (40)	2.68 (68)	DLCC24P26.5L68W	1.77 (45)	2.68 (68)
28	DLBB12P28L68W	1.58 (40)	2.68 (68)	DLBB20P28L68W	1.58 (40)	2.68 (68)	DLCC24P28L68W	1.77 (45)	2.68 (68)
30	DLBB12P30L68W	1.58 (40)	2.68 (68)	DLBB20P30L68W	1.58 (40)	2.68 (68)	DLCC24P30L68W	1.77 (45)	2.68 (68)
32	DLBB12P32L68W	1.58 (40)	2.68 (68)	DLBB20P32L68W	1.58 (40)	2.68 (68)	DLDD24P32L68W	1.97 (50)	2.68 (68)
34	DLCC12P34L68W	1.77 (45)	2.68 (68)	DLCC20P34L68W	1.77 (45)	2.68 (68)	DLCC24P34L68W	1.77 (45)	2.68 (68)
35	DLCC12P35L68W	1.77 (45)	2.68 (68)	DLCC20P35L68W	1.77 (45)	2.68 (68)	DLDD24P35L68W	1.97 (50)	2.68 (68)
36	DLCC12P36L68W	1.77 (45)	2.68 (68)	DLCC20P36L68W	1.77 (45)	2.68 (68)	DLDD24P36L68W	1.97 (50)	2.68 (68)
40	DLCC12P40L68W	1.77 (45)	2.68 (68)	DLCC20P40L68W	1.77 (45)	2.68 (68)	DLDD24P40L68W	1.97 (50)	2.68 (68)
45	DLDD12P45L68W	1.97 (50)	2.68 (68)	DLDD20P45L68W	1.97 (50)	2.68 (68)	DLDD24P45L92W	1.97 (50)	3.62 (92)
48	DLDD12P48L68W	1.97 (50)	2.68 (68)	DLDD20P48L68W	1.97 (50)	2.68 (68)	DLDD24P48L92W	1.97 (50)	3.62 (92)
50	DLDD12P50L68W	1.97 (50)	2.68 (68)	DLDD20P50L68W	1.97 (50)	2.68 (68)	DLDD24P50L92W	1.97 (50)	3.62 (92)
52	DLDD12P52L68W	1.97 (50)	2.68 (68)	DLDD20P52L68W	1.97 (50)	2.68 (68)	DLDD24P52L92W	1.97 (50)	3.62 (92)
55	DLDD12P55L68W	1.97 (50)	2.68 (68)	DLDD20P55L68W	1.97 (50)	2.68 (68)	DLCC24P55L117W	1.77 (45)	4.61 (117)
56	DLDD12P56L68W	1.97 (50)	2.68 (68)	DLDD20P56L68W	1.97 (50)	2.68 (68)	DLCC24P56L117W	1.77 (45)	4.61 (117)
60	DLCC12P60L92W	1.77 (45)	3.62 (92)	DLCC20P60L92W	1.77 (45)	3.62 (92)	DLDD24P60L117W	1.97 (50)	4.61 (117)
62	DLDD12P62L92W	1.97 (50)	3.62 (92)	DLDD20P62L92W	1.97 (50)	3.62 (92)	DLDD24P62L117W	1.97 (50)	4.61 (117)
64	DLDD12P64L92W	1.97 (50)	3.62 (92)	DLDD20P64L92W	1.97 (50)	3.62 (92)	DLDD24P64L117W	1.97 (50)	4.61 (117)
65	DLDD12P65L92W	1.97 (50)	3.62 (92)	DLDD20P65L92W	1.97 (50)	3.62 (92)	DLDD24P65L117W	1.97 (50)	4.61 (117)
70	DLDD12P70L92W	1.97 (50)	3.62 (92)	DLDD20P70L92W	1.97 (50)	3.62 (92)	DLDD24P70L117W	1.97 (50)	4.61 (117)
75	DLDD12P75L92W	1.97 (50)	3.62 (92)	DLDD20P75L92W	1.97 (50)	3.62 (92)	—	—	—

Type DL AC Rated 100 °C Dry HID Lighting Capacitors

Ratings

Capacitance (μ F)	360 Vac			400 Vac		
	Catalog Part Number	Dia. in (mm)	Ht. in (mm)	Catalog Part Number	Dia. in (mm)	Ht. in (mm)
5	DLBB36P5L68W	1.58 (40)	2.68 (68)	DLBB40P5L68W	1.58 (40)	2.68 (68)
6	DLBB36P6L68W	1.58 (40)	2.68 (68)	DLBB40P6L68W	1.58 (40)	2.68 (68)
7	DLBB36P7L68W	1.58 (40)	2.68 (68)	DLBB40P7L68W	1.58 (40)	2.68 (68)
8	DLBB36P8L68W	1.58 (40)	2.68 (68)	DLBB40P8L68W	1.58 (40)	2.68 (68)
8.4	DLBB36P8.4L68W	1.58 (40)	2.68 (68)	DLBB40P8.4L68W	1.58 (40)	2.68 (68)
10	DLBB36P10L68W	1.58 (40)	2.68 (68)	DLCC40P10L68W	1.77 (45)	2.68 (68)
11	DLBB36P11L68W	1.58 (40)	2.68 (68)	DLCC40P11L68W	1.77 (45)	2.68 (68)
12	DLBB36P12L68W	1.58 (40)	2.68 (68)	DLDD40P12L68W	1.97 (50)	2.68 (68)
13	DLCC36P13L68W	1.77 (45)	2.68 (68)	DLDD40P13L68W	1.97 (50)	2.68 (68)
14	DLCC36P14L68W	1.77 (45)	2.68 (68)	DLDD40P14L68W	1.97 (50)	2.68 (68)
15	DLCC36P15L68W	1.77 (45)	2.68 (68)	DLCC40P15L68W	1.77 (45)	3.62 (92)
16	DLCC36P16L68W	1.77 (45)	2.68 (68)	DLCC40P16L92W	1.77 (45)	3.62 (92)
17	DLCC36P17L68W	1.77 (45)	2.68 (68)	DLDD40P17L92W	1.97 (50)	3.62 (92)
17.5	DLDD36P17.5L68W	1.97 (50)	2.68 (68)	DLDD40P17.5L92W	1.97 (50)	3.62 (92)
18	DLDD36P18L68W	1.97 (50)	2.68 (68)	DLDD40P18L92W	1.97 (50)	3.62 (92)
18.5	DLDD36P18.5L68W	1.97 (50)	2.68 (68)	DLDD40P18.5L92W	1.97 (50)	3.62 (92)
20	DLDD36P20L68W	1.97 (50)	2.68 (68)	DLDD40P20L92W	1.97 (50)	3.62 (92)
20.5	DLDD36P20.5L68W	1.97 (50)	2.68 (68)	DLDD40P20.5L92W	1.97 (50)	3.62 (92)
21	DLDD36P21L68W	1.97 (50)	2.68 (68)	DLDD40P21L92W	1.97 (50)	3.62 (92)
22	DLDD36P22L68W	1.97 (50)	2.68 (68)	DLCC40P22L117W	1.77 (45)	4.61 (117)
22.5	DLCC36P22.5L92W	1.77 (45)	3.62 (92)	DLCC40P22.5L117W	1.77 (45)	4.61 (117)
24	DLDD36P24L92W	1.97 (50)	3.62 (92)	DLDD40P24L117W	1.97 (50)	4.61 (117)
24.5	DLDD36P24.5L92W	1.97 (50)	3.62 (92)	DLDD40P24.5L117W	1.97 (50)	4.61 (117)
25	DLDD36P25L92W	1.97 (50)	3.62 (92)	DLDD40P25L117W	1.97 (50)	4.61 (117)
25.5	DLDD36P25.5L92W	1.97 (50)	3.62 (92)	DLDD40P25.5L117W	1.97 (50)	4.61 (117)
26	DLDD36P26L92W	1.97 (50)	3.62 (92)	DLDD40P26L117W	1.97 (50)	4.61 (117)
26.5	DLDD36P26.5L92W	1.97 (50)	3.62 (92)	DLDD40P26.5L117W	1.97 (50)	4.61 (117)
28	DLDD36P28L92W	1.97 (50)	3.62 (92)	DLDD40P28L117W	1.97 (50)	4.61 (117)
30	DLDD36P30L92W	1.97 (50)	3.62 (92)	DLDD40P30L117W	1.97 (50)	4.61 (117)
32	DLCC36P32L117W	1.77 (45)	4.61 (117)	—	—	—
34	DLDD36P34L117W	1.97 (50)	4.61 (117)	—	—	—
35	DLDD36P35L117W	1.97 (50)	4.61 (117)	—	—	—
36	DLDD36P36L117W	1.97 (50)	4.61 (117)	—	—	—
40	DLDD36P40L117W	1.97 (50)	4.61 (117)	—	—	—

Type DL AC Rated 100 °C Dry HID Lighting Capacitors

Notice and Disclaimer: All product drawings, descriptions, specifications, statements, information and data (collectively, the "Information") in this datasheet or other publication are subject to change. The customer is responsible for checking, confirming and verifying the extent to which the Information contained in this datasheet or other publication is applicable to an order at the time the order is placed. All Information given herein is believed to be accurate and reliable, but it is presented without any guarantee, warranty, representation or responsibility of any kind, expressed or implied. Statements of suitability for certain applications are based on the knowledge that the Cornell Dubilier company providing such statements ("Cornell Dubilier") has of operating conditions that such Cornell Dubilier company regards as typical for such applications, but are not intended to constitute any guarantee, warranty or representation regarding any such matter – and Cornell Dubilier specifically and expressly disclaims any guarantee, warranty or representation concerning the suitability for a specific customer application, use, storage, transportation, or operating environment. The Information is intended for use only by customers who have the requisite experience and capability to determine the correct products for their application. Any technical advice inferred from this Information or otherwise provided by Cornell Dubilier with reference to the use of any Cornell Dubilier products is given gratis (unless otherwise specified by Cornell Dubilier), and Cornell Dubilier assumes no obligation or liability for the advice given or results obtained. Although Cornell Dubilier strives to apply the most stringent quality and safety standards regarding the design and manufacturing of its products, in light of the current state of the art, isolated component failures may still occur. Accordingly, customer applications which require a high degree of reliability or safety should employ suitable designs or other safeguards (such as installation of protective circuitry or redundancies or other appropriate protective measures) in order to ensure that the failure of an electrical component does not result in a risk of personal injury or property damage. Although all product-related warnings, cautions and notes must be observed, the customer should not assume that all safety measures are indicated in such warnings, cautions and notes, or that other safety measures may not be required.