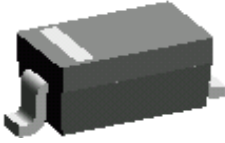


**SURFACE MOUNT SILICON ZENER DIODES**

**MMSZ5225B - 5259B  
(3.0V- 39V)**



**SOD-123  
PLASTIC PACKAGE**

**Marking: As Indicated below with Cathode Band**

**ABSOLUTE MAXIMUM RATINGS**

DESCRIPTION	SYMBOL	VALUE	UNIT
Forward Voltage Drop @ I <sub>F</sub> 100mA	V <sub>F</sub>	1.0	V
Power Dissipation @ 25°C	*P <sub>D</sub>	500	mW
Peak Forward Surge Current, 8.3ms Single Half Sine-Wave Superimposed on Rated Load	**I <sub>FSM</sub>	4.0	A
Operating Junction and Storage Temperature Range	T <sub>j</sub>	- 55 to +150	°C

\* Mounted on 5.0mm<sup>2</sup> ( 0.13mm thick) land areas

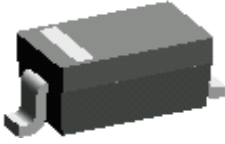
\*\* Measured on 8.3ms, single half sine-wave or equivalent square wave, duty cycle=4 pulses per minute maximum

**ELECTRICAL CHARACTERISTICS (T<sub>a</sub>=25°C unless specified otherwise) V<sub>F</sub> @ 100mA <1.0V**

Device #	Zener Voltage			Zener Impedance				Reverse Leakage Current		Marking Code
	V <sub>Z</sub> @ I <sub>ZT</sub>			Z <sub>ZT</sub> @ I <sub>ZT</sub>		Z <sub>ZK</sub> @ I <sub>ZK</sub>		I <sub>R</sub> @	V <sub>R</sub>	
	(V)			(W)	(mA)	(W)	(mA)	(mA)	(V)	
	Nom.V	Min	Max	Max		Max		Max		
MMSZ5225B	3.0	2.85	3.15	30	20	1600	0.25	50	1.0	C5
MMSZ5226B	3.3	3.14	3.47	28	20	1600	0.25	25	1.0	D1
MMSZ5227B	3.6	3.42	3.78	24	20	1700	0.25	15	1.0	D2
MMSZ5228B	3.9	3.71	4.10	23	20	1900	0.25	10	1.0	D3
MMSZ5229B	4.3	4.09	4.52	22	20	2000	0.25	5.0	1.0	D4
MMSZ5230B	4.7	4.47	4.94	19	20	1900	0.25	5.0	2.0	D5
MMSZ5231B	5.1	4.85	5.36	17	20	1600	0.25	5.0	2.0	E1
MMSZ5232B	5.6	5.32	5.88	11	20	1600	0.25	5.0	3.0	E2
MMSZ5234B	6.2	5.89	6.51	7	20	1000	0.25	5.0	4.0	E4
MMSZ5235B	6.8	6.46	7.14	5	20	750	0.25	3.0	5.0	E5
MMSZ5236B	7.5	7.13	7.88	6	20	500	0.25	3.0	6.0	F1
MMSZ5237B	8.2	7.79	8.61	8	20	500	0.25	3.0	6.0	F2
MMSZ5239B	9.1	8.65	9.56	10	20	600	0.25	3.0	6.5	F4
MMSZ5240B	10	9.50	10.50	17	20	600	0.25	3.0	8.0	F5
MMSZ5241B	11	10.45	11.55	22	20	600	0.25	3.0	8.4	H1
MMSZ5242B	12	11.40	12.60	30	20	600	0.25	2.0	9.1	H2
MMSZ5243B	13	12.35	13.65	13	9.5	600	0.25	1.0	9.9	H3
MMSZ5245B	15	14.25	15.75	16	8.5	600	0.25	0.5	11	H5
MMSZ5246B	16	15.20	16.80	17	7.8	600	0.25	0.1	12	J1
MMSZ5248B	18	17.10	18.90	21	7.0	600	0.25	0.1	14	J3
MMSZ5250B	20	19.00	21.00	25	6.2	600	0.25	0.1	15	J5
MMSZ5251B	22	20.90	23.10	29	5.6	600	0.25	0.1	17	K1
MMSZ5252B	24	22.80	25.20	33	5.2	600	0.25	0.1	18	K2
MMSZ5254B	27	25.65	28.35	41	5.0	600	0.25	0.1	21	K4

**SURFACE MOUNT SILICON ZENER DIODES**

**MMSZ5225B - 5259B  
(3.0V- 39V)**



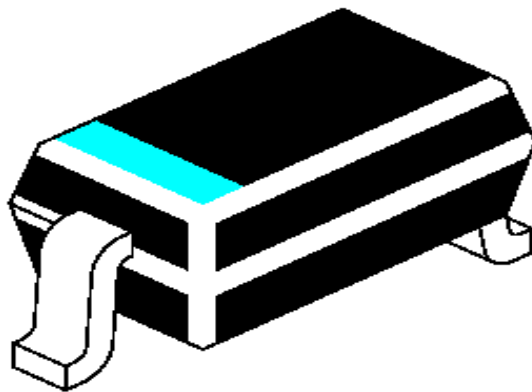
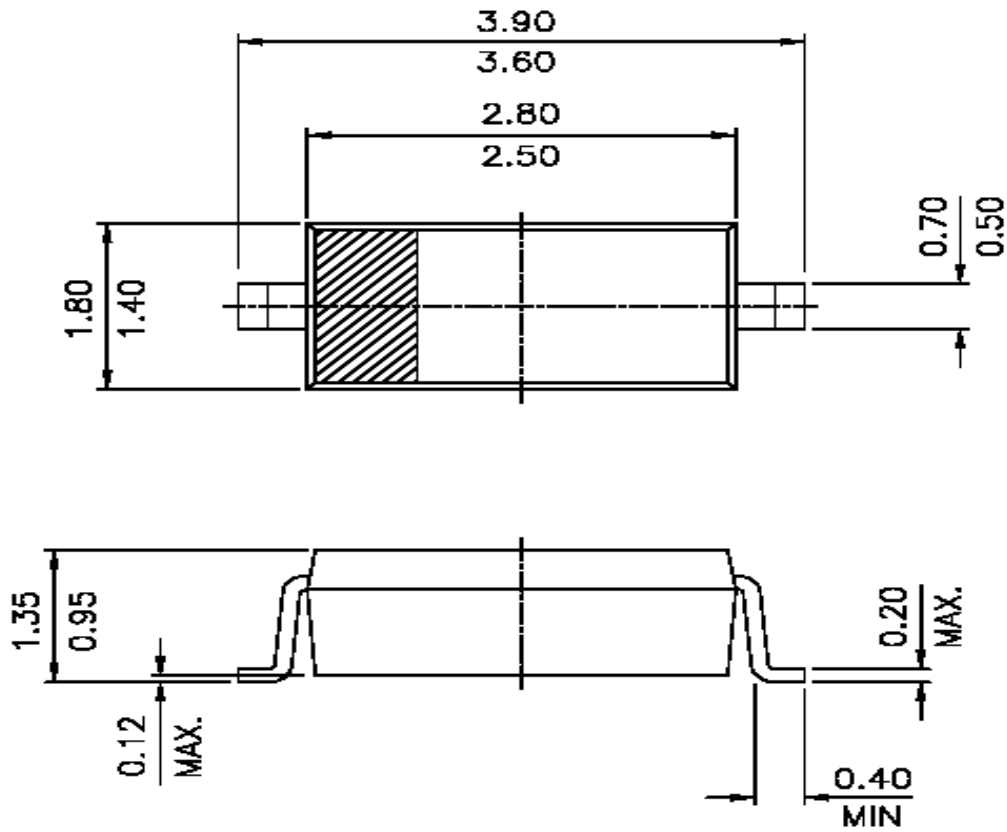
**SOD-123  
PLASTIC PACKAGE**

**ELECTRICAL CHARACTERISTICS (T<sub>a</sub>=25°C unless specified otherwise) V<sub>F</sub> @ 100mA <1.0V**

Device #	Zener Voltage			Zener Impedance				Reverse Leakage		Marking Code
	V <sub>Z</sub> @ I <sub>ZT</sub>			Z <sub>ZT</sub> @ I <sub>ZT</sub>		Z <sub>ZK</sub> @ I <sub>ZK</sub>		I <sub>R</sub> @	V <sub>R</sub>	
	(V)			(W)	(mA)	(W)	(mA)	(mA)	(V)	
	Nom.V	Min	Max	Max		Max		Max		
<b>MMSZ5255B</b>	28	26.60	29.40	44	4.5	600	0.25	0.1	21	K5
<b>MMSZ5256B</b>	30	28.50	31.50	49	4.2	600	0.25	0.1	23	M1
<b>MMSZ5257B</b>	33	31.35	34.65	58	3.8	700	0.25	0.1	25	M2
<b>MMSZ5258B</b>	36	34.20	37.80	70	3.4	700	0.25	0.1	27	M3
<b>MMSZ5259B</b>	39	37.05	40.95	80	3.2	800	0.25	0.1	30	M4

MMSZ5229B\_5259B Rev040205E

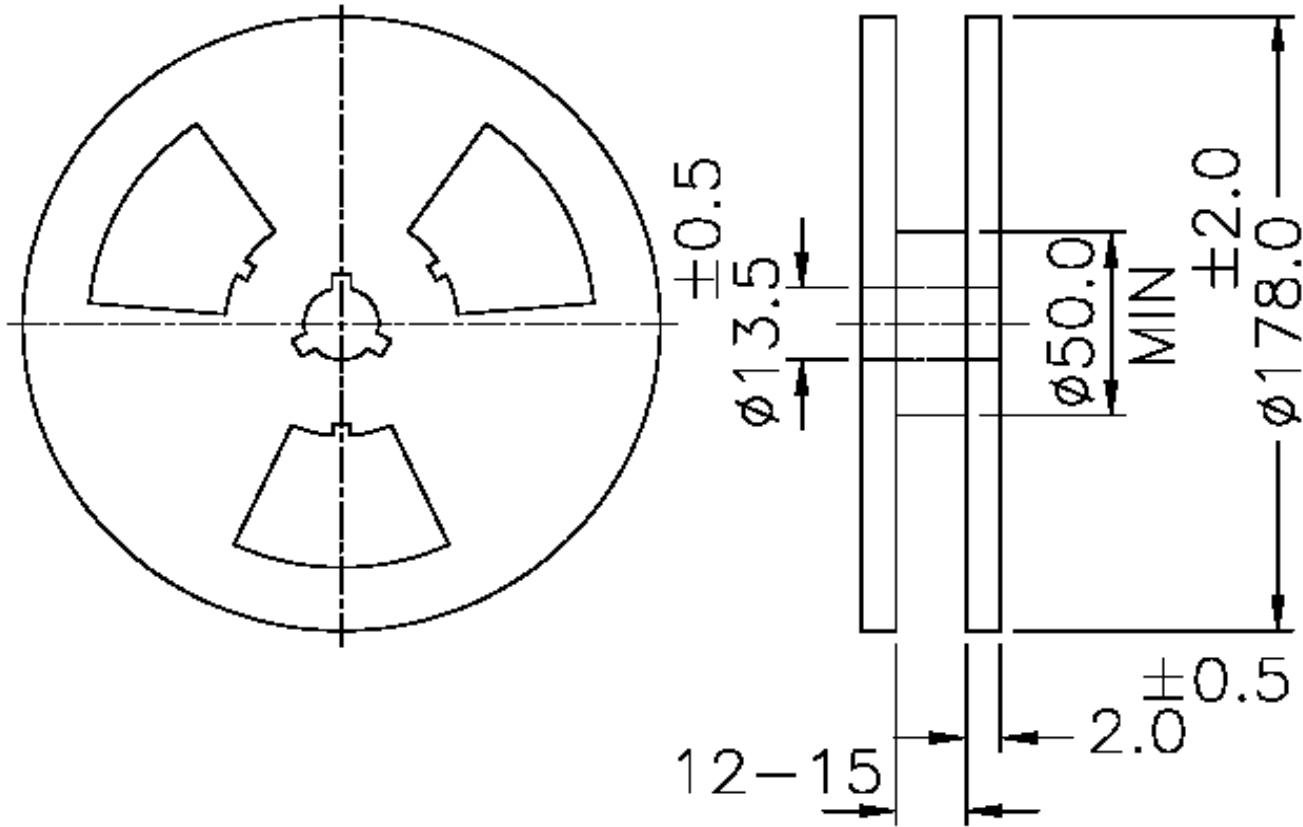
# PACKAGE SOD-123



Cathode is marked by Band

MMSZ5225B - 5259B  
(3.0V- 39V)

SOD-123  
PLASTIC PACKAGE



ALL DIMENSIONS ARE IN mm  
REEL  $\phi$  178 mm (7")  
3000 Pcs / REEL

MMSZ5229B\_5259B Rev040205E

### **Disclaimer**

The product information and the selection guides facilitate selection of the CDIL's Discrete Semiconductor Device(s) best suited for application in your product(s) as per your requirement. It is recommended that you completely review our Data Sheet(s) so as to confirm that the Device(s) meet functionality parameters for your application. The information furnished in the Data Sheet and on the CDIL Web Site/CD are believed to be accurate and reliable. CDIL however, does not assume responsibility for inaccuracies or incomplete information. Furthermore, CDIL does not assume liability whatsoever, arising out of the application or use of any CDIL product; neither does it convey any license under its patent rights nor rights of others. These products are not designed for use in life saving/support appliances or systems. CDIL customers selling these products (either as individual Discrete Semiconductor Devices or incorporated in their end products), in any life saving/support appliances or systems or applications do so at their own risk and CDIL will not be responsible for any damages resulting from such sale(s).

CDIL strives for continuous improvement and reserves the right to change the specifications of its products without prior notice.



CDIL is a registered Trademark of  
Continental Device India Limited

C-120 Naraina Industrial Area, New Delhi 110 028, India.  
Telephone + 91-11-2579 6150, 5141 1112 Fax + 91-11-2579 5290, 5141 1119  
email@cdil.com www.cdilsemi.com