

Part Change Notice**Date: Feb. 09, 2016****PCN. No: 1602011****Products:**

CDP-TX-02E-R, EP-R, F-R,FP-R 434 MHz.

Description of change

- Obsolete components change (VCO circuit components)
- There is no change in the product specification.

Comparison block diagrams are attached.

Reason of change:

- CDP-TX-02E-R, EP-R, F-R,FP-R contains several obsolete components whose production discontinuation has been announced by part suppliers. In order to continue stable product supply, these components are changed to the latest components.

Cost Impact:

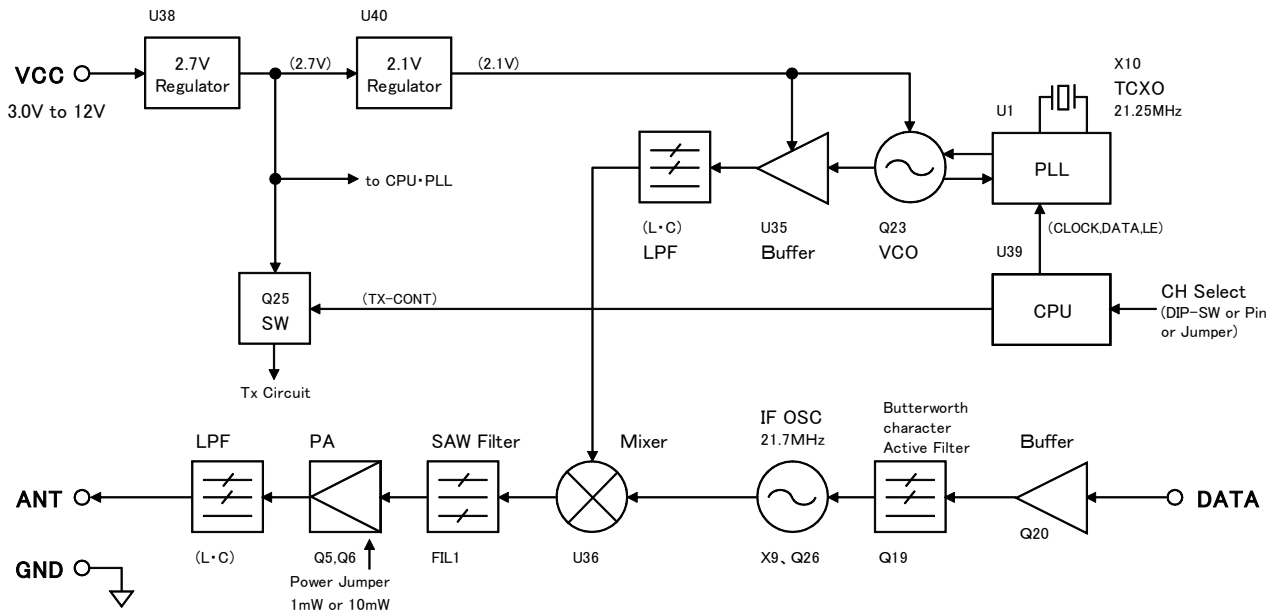
NIL

Change schedule:

- Production of CDP-TX-02E-R, EP-R, F-R,FP-R implementing the change will start from May 2016.
- Shipment schedule to be dealt on a case by case basis
- The change will be implemented on the following serial number onwards:

CDP-TX-02E-R	434MHz	KZ050001~
CDP-TX-02EP-R	434MHz	KQ002001~
CDP-TX-02F-R	434MHz	KN001001~
CDP-TX-02FP-R	434MHz	KM002001~

GDP-TX-02 CURRENT



GDP-TX-02 NEW

