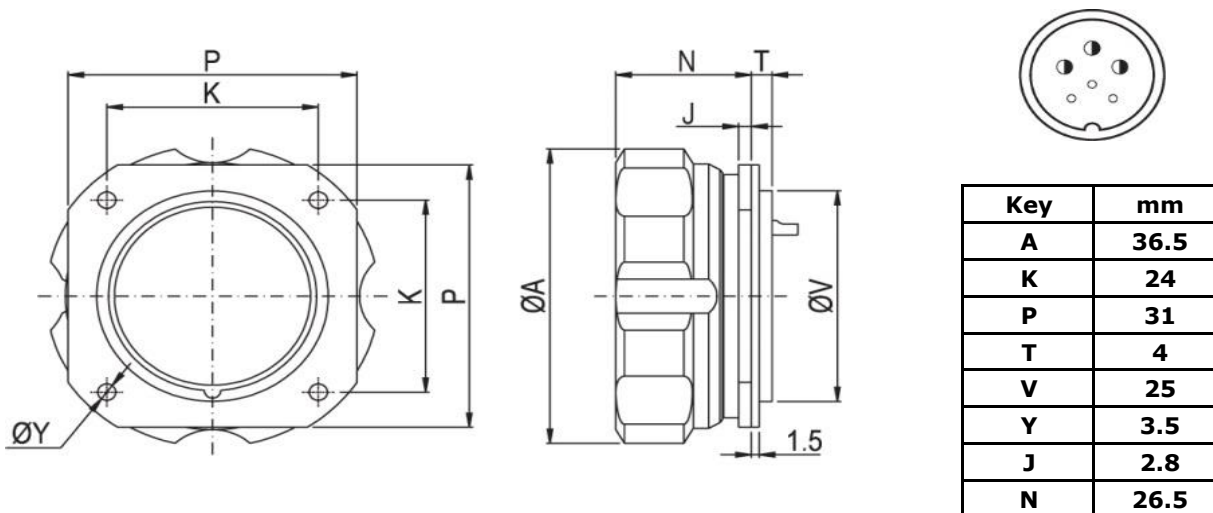


**3 x 10A & 3 x 25A Solder Contacts, 300V Constant, 1,400V Peak. IP67 (Waterproof) When mated**

**Technical Data**

|                            |                                 |                                   |                                   |
|----------------------------|---------------------------------|-----------------------------------|-----------------------------------|
| <b>Connector Type:</b>     | Circular Series 92              | <b>Current Rating:</b>            | 3 x 10A & 3 x 25A                 |
| <b>Plan-form:</b>          | 26R, 6 Pin                      | <b>Voltage Rating:</b>            | 300V                              |
| <b>Gender:</b>             | Male Plug                       | <b>Peak Voltage:</b>              | 1,400                             |
| <b>Termination Method:</b> | Solder                          | <b>Max Wire Area Size:</b>        | 3 x 1.75 & 3 x 5.1mm <sup>2</sup> |
| <b>Contact Material:</b>   | Copper Alloy                    | <b>Contact Resistance:</b>        | 5mΩ                               |
| <b>Contact Plating:</b>    | Gold over Nickel                | <b>IP Rating:</b>                 | IP67                              |
| <b>Shell Material:</b>     | Aluminium Alloy                 | <b>Min Operating Temperature:</b> | -40°C                             |
| <b>Shell Plating:</b>      | Black anodised (non conductive) | <b>Max Operating Temperature:</b> | +85°C                             |
| <b>Insulator Material:</b> | Thermoestable                   | <b>Termination Method:</b>        | Screw Lock                        |

**Mating Parts**

|                         |                |
|-------------------------|----------------|
| Female inline connector | 920126R000SA20 |
|                         | 920126R000SB20 |

**Accessories**

|                     |            |
|---------------------|------------|
| IP67 Waterproof cap | 92T0620P20 |
|---------------------|------------|