



● **FEATURES 特性**

1.MPP series are excellent choices for precision audio frequency tuned circuits, High Q filters, loading coils, EMI filters. 用于高Q滤波器，负载线圈，EMI过滤器

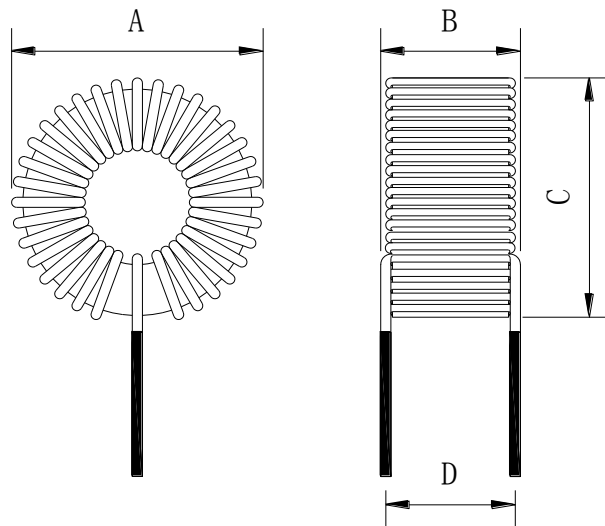
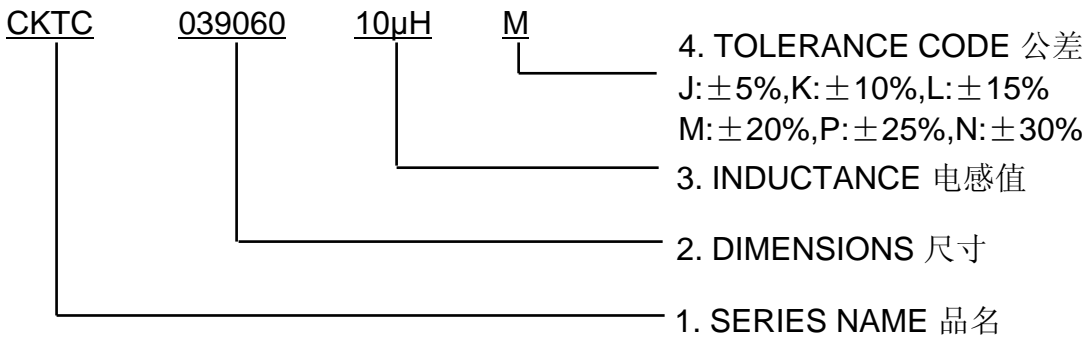
2.Hi-flux series are ideal for switching regulator inductors, in line noise filters, pulse and fly-back transformer applications.

Hi-Flux系列用于开关稳压器，噪音滤波器，脉冲和回扫变压器。

3.Super-MSS series are designed to replace iron powder by offering much lower losses, with energy storage capability higher than MPP series, and are excellent choices for energy storage and filter inductor applications in switching mode power supplies.

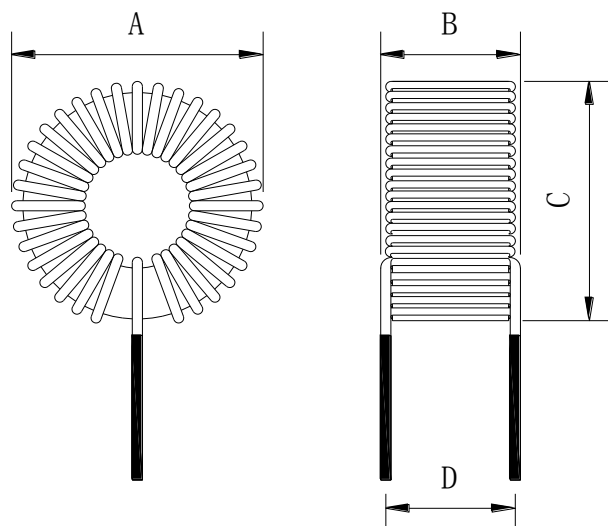
MSS系列损耗低，能量储存高于MPP系列，用于开关电源的储能和滤波。

● **PART NUMBERING SYSTEM 品名系统**



Unit: mm

TYPE	INDUCTANCE	A	B	C	D	Work Frequency
MS-039060-8	10.0uH-125.0uH	13.0	6.5	13.0	6.0	0.01-1.0MHZ
MS-044125-2	10.0uH-125.0uH	16.0	8.0	16.0	8.0	0.01-1.0MHZ
MS-065125-2	10.0uH-125.0uH	21.0	11.0	21.0	10.0	0.01-1.0MHZ
MS-068125-2	10.0uH-125.0uH	22.0	11.0	22.0	10.0	0.01-1.0MHZ
MS-080125-2	10.0uH-125.0uH	25.0	12.0	25.0	12.0	0.01-1.0MHZ
MS-107125-2	10.0uH-125.0uH	32.0	13.5	32.0	16.0	0.01-1.0MHZ
MS-106125-2	10.0uH-125.0uH	32.0	15.0	32.0	16.0	0.01-1.0MHZ
MS-131125-2	10.0uH-125.0uH	37.5	13.5	37.5	18.0	0.01-1.0MHZ



Unit: mm

TYPE	INDUCTANCE	A	B	C	D	Work Frequency
MS-130060-2	10.0uH-125.0uH	37.5	15.0	37.5	18.0	0.01-1.0MHZ
MS-132060-2	10.0uH-125.0uH	37.5	16.0	37.5	18.0	0.01-1.0MHZ
A-500025-8	14.0uH-550.0uH	13.0	6.5	13.0	6.0	2.0-120.0KHZ
A-255026-2	14.0uH-550.0uH	16.0	8.0	16.0	8.0	2.0-120.0KHZ
A-281072-2	14.0uH-550.0uH	21.0	11.0	21.0	10.0	2.0-120.0KHZ
A-190089-2	14.0uH-550.0uH	22.0	11.0	22.0	10.0	2.0-120.0KHZ
A-206068-2	14.0uH-550.0uH	25.0	12.0	25.0	12.0	2.0-120.0KHZ
A-679123-2	14.0uH-550.0uH	32.0	13.5	32.0	16.0	2.0-120.0KHZ
A-930157-2	14.0uH-550.0uH	32.0	15.0	32.0	16.0	2.0-120.0KHZ
A-197109-2	14.0uH-550.0uH	37.5	13.5	37.5	18.0	2.0-120.0KHZ
A-291061-2	14.0uH-550.0uH	37.5	15.0	37.5	18.0	2.0-120.0KHZ
A-071065-2	14.0uH-550.0uH	37.5	16.0	37.5	18.0	2.0-120.0KHZ
HF-039060-8	14.0uH-160.0uH	13.0	6.5	13.0	6.0	2.0-80.0KHZ
HF-044125-2	14.0uH-160.0uH	16.0	8.0	16.0	8.0	2.0-80.0KHZ
HF-065160-2	14.0uH-160.0uH	21.0	11.0	21.0	10.0	2.0-80.0KHZ
HF-068125-2	14.0uH-160.0uH	22.0	11.0	22.0	10.0	2.0-80.0KHZ
HF-080125-2	14.0uH-160.0uH	25.0	12.0	25.0	12.0	2.0-80.0KHZ
HF-107125-2	14.0uH-160.0uH	32.0	13.5	32.0	16.0	2.0-80.0KHZ
HF-106125-2	14.0uH-160.0uH	32.0	15.0	32.0	16.0	2.0-80.0KHZ
HF-130125-2	14.0uH-160.0uH	37.5	13.5	37.5	18.0	2.0-80.0KHZ
HF-130060-2	14.0uH-160.0uH	37.5	15.0	37.5	18.0	2.0-80.0KHZ
HF-132060-2	14.0uH-160.0uH	37.5	16.0	37.5	18.0	2.0-80.0KHZ