

**SPECIFICATIONS**

**Connector**  
 Coupling: Threaded  
 Shell Material: Nylon66, V-0  
 Insert Material: PPS 260C max, V-0  
 Contact Material: Brass, Gold Plating  
 Termination: solder/crimp  
 Cable OD: 6-10mm  
 IP Rating: IP68  
 Mating Cycles: ≥500  
 Temperature Range: -25C ~ +85C  
 Insulation Resistance: 2000

**Overmold**  
 Coupling: Threaded  
 Shell Material: PC, PVC, V-0  
 Anodized Aluminum Nut  
 Insert Material: PPS 260C max, V-0  
 Contact Material: Brass, Gold Plating  
 IP Rating: IP66  
 Mating Cycles: ≥500  
 Temperature Range: -20C ~ +85C  
 Insulation Resistance: 2000

**RoHS compliant**

| Series                        | Type         | Male/Female  | Positions                      | Cable Diam.                    |
|-------------------------------|--------------|--|--------------------------------|--------------------------------|
| CWP                           | SP-17XX      | X  | XXY                            | A                              |
| Circular Waterproof Connector | XX= See Dwg. | P=Male Plug<br>S=Female Socket<br>PC=Plug w/ Cover<br>SC=Socket w/ Cover | 02-10, 2C, 3C, 4C<br>See Chart | (SP-1710, SP-1711)<br>A=6-10mm |

Insert Configuration, Female Face View (2C, 3C, 4C for Crimp Connections)



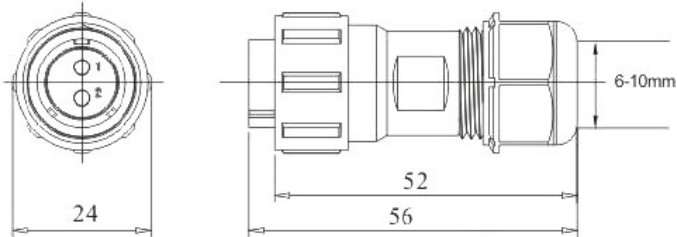


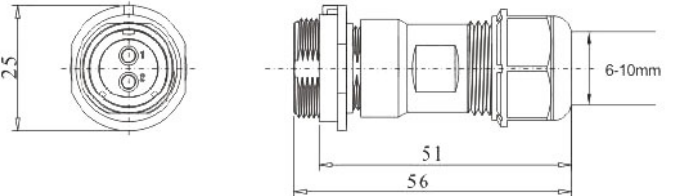


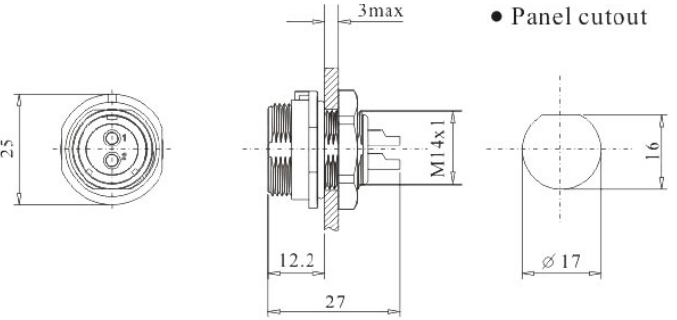



| Configuration                  |        |        |           |           |           |           |           |            |            |            |
|--------------------------------|--------|--------|-----------|-----------|-----------|-----------|-----------|------------|------------|------------|
| Positions                      | 02     | 03     | 04        | 05        | 07        | 09        | 10        | 2C (crimp) | 3C (crimp) | 4C (crimp) |
| Current Rating                 | 10A    | 10A    | 5A        | 5A        | 5A        | 5A        | 5A        | 10A        | 10A        | 5A         |
| Size & No. Contacts            | Ø1.5X2 | Ø1.5X3 | Ø1X4      | Ø1X5      | Ø1X7      | Ø1X9      | Ø1X10     | Ø1.5x2     | Ø1.5x3     | Ø1x4       |
| Rated Voltage                  | 500V   | 500V   | 500V      | 500V      | 400V      | 400V      | 400V      | 500V       | 500V       | 500V       |
| Test Voltage                   | 1500V  | 1500V  | 1500V     | 1500V     | 1200V     | 1200V     | 1200V     | 1500V      | 1500V      | 1500V      |
| Contact Resistance mΩ          | 2.5    | 2.5    | 5         | 5         | 5         | 5         | 5         | 2.5        | 2.5        | 5          |
| Wire Size mm <sup>2</sup> /AWG | ≤2/14  | ≤2/14  | ≤0.785/18 | ≤0.785/18 | ≤0.785/18 | ≤0.785/18 | ≤0.785/18 |            |            |            |

| Rev. | Description | Date | Approved | Drawing    | Name        | Date        |
|------|-------------|------|----------|------------|-------------|-------------|
|      |             |      |          | Approved   | Howard      | 02/02/10    |
|      |             |      |          | Checked    | Lizzy       | 02/02/10    |
|      |             |      |          | Drawn      | Tina        | 02/02/10    |
|      |             |      |          | 0.0 ± 0.35 | 0.00 ± 0.20 | Angles ± 3' |
|      |             |      |          |            | UNIT: mm    |             |

**Central Components Manufacturing**  
 440 Lincoln Blvd., Middlesex, New Jersey 08846  
 Phone 732 469-5720 888 288-5152 Fax 732 469-1919

Part No.: **CWP-SP-17XX-X-XXY-A**

Description: Circular Waterproof Connector

|      | 1   | 2    | 3  | 4   | 5   | 6           | 7  | 8    | 9        |         |      |      |  |  |  |  |          |        |          |  |  |  |  |         |       |          |  |  |  |  |       |      |          |  |  |  |  |            |             |             |  |  |  |  |   |  |          |  |  |  |  |
|------|---|------|--|---|---|-------------|--|------|----------|---------|------|------|--|--|--|--|----------|--------|----------|--|--|--|--|---------|-------|----------|--|--|--|--|-------|------|----------|--|--|--|--|------------|-------------|-------------|--|--|--|--|---|--|----------|--|--|--|--|
| A    |    |      |   |   | <p>This item mates with<br/>CWP-SP-1711, CWP-SP-1712<br/>Threaded Coupling<br/>Solder Termination</p> |             |   |      |          |         |      |      |  |  |  |  |          |        |          |  |  |  |  |         |       |          |  |  |  |  |       |      |          |  |  |  |  |            |             |             |  |  |  |  |   |  |          |  |  |  |  |
| B    | CWP-SP-1710-P   |      | CWP-SP-1710-S  |   |   |             |  |      |          |         |      |      |  |  |  |  |          |        |          |  |  |  |  |         |       |          |  |  |  |  |       |      |          |  |  |  |  |            |             |             |  |  |  |  |   |  |          |  |  |  |  |
| C    |    |      |   |   | <p>This item mates with<br/>CWP-SP-1710<br/>Threaded Coupling<br/>Solder Termination</p>              |             |   |      |          |         |      |      |  |  |  |  |          |        |          |  |  |  |  |         |       |          |  |  |  |  |       |      |          |  |  |  |  |            |             |             |  |  |  |  |   |  |          |  |  |  |  |
| D    | CWP-SP-1711-P   |      | CWP-SP-1711-S  |   |   |             |  |      |          |         |      |      |  |  |  |  |          |        |          |  |  |  |  |         |       |          |  |  |  |  |       |      |          |  |  |  |  |            |             |             |  |  |  |  |   |  |          |  |  |  |  |
| E    |   |      |  |   | <p>This item mates with<br/>CWP-SP-1710<br/>Threaded Coupling<br/>Solder Termination</p>              |             |  |      |          |         |      |      |  |  |  |  |          |        |          |  |  |  |  |         |       |          |  |  |  |  |       |      |          |  |  |  |  |            |             |             |  |  |  |  |   |  |          |  |  |  |  |
| F    | CWP-SP-1712-P   |      | CWP-SP-1712-S  |   |   |             |  |      |          |         |      |      |  |  |  |  |          |        |          |  |  |  |  |         |       |          |  |  |  |  |       |      |          |  |  |  |  |            |             |             |  |  |  |  |   |  |          |  |  |  |  |
| G    | <table border="1"> <thead> <tr> <th>Rev.</th> <th>Description</th> <th>Date</th> <th>Approved</th> <th>Drawing</th> <th>Name</th> <th>Date</th> </tr> </thead> <tbody> <tr> <td></td> <td></td> <td></td> <td></td> <td>Approved</td> <td>Howard</td> <td>02/02/10</td> </tr> <tr> <td></td> <td></td> <td></td> <td></td> <td>Checked</td> <td>Lizzy</td> <td>02/02/10</td> </tr> <tr> <td></td> <td></td> <td></td> <td></td> <td>Drawn</td> <td>Tina</td> <td>02/02/10</td> </tr> <tr> <td></td> <td></td> <td></td> <td></td> <td>0.0 ± 0.35</td> <td>0.00 ± 0.20</td> <td>Angles ± 3'</td> </tr> <tr> <td></td> <td></td> <td></td> <td></td> <td colspan="2">  </td> <td>UNIT: mm</td> </tr> </tbody> </table> |      |  |   |   | Rev.        | Description  | Date | Approved | Drawing | Name | Date |  |  |  |  | Approved | Howard | 02/02/10 |  |  |  |  | Checked | Lizzy | 02/02/10 |  |  |  |  | Drawn | Tina | 02/02/10 |  |  |  |  | 0.0 ± 0.35 | 0.00 ± 0.20 | Angles ± 3' |  |  |  |  |  |  | UNIT: mm | <p><b>Central Components Manufacturing</b><br/> 440 Lincoln Blvd., Middlesex, New Jersey 08846<br/> Phone 732 469-5720 888 288-5152 Fax 732 469-1919</p> <p>Part No.: <b>CWP-SP-17XX-X-XXY-A</b></p> <p>Description: Circular Waterproof Connector</p> |  |  |  |
| Rev. | Description   | Date | Approved   | Drawing   | Name  | Date        |  |      |          |         |      |      |  |  |  |  |          |        |          |  |  |  |  |         |       |          |  |  |  |  |       |      |          |  |  |  |  |            |             |             |  |  |  |  |   |  |          |  |  |  |  |
|      |   |      |  | Approved  | Howard  | 02/02/10    |  |      |          |         |      |      |  |  |  |  |          |        |          |  |  |  |  |         |       |          |  |  |  |  |       |      |          |  |  |  |  |            |             |             |  |  |  |  |   |  |          |  |  |  |  |
|      |   |      |  | Checked   | Lizzy   | 02/02/10    |  |      |          |         |      |      |  |  |  |  |          |        |          |  |  |  |  |         |       |          |  |  |  |  |       |      |          |  |  |  |  |            |             |             |  |  |  |  |   |  |          |  |  |  |  |
|      |   |      |  | Drawn   | Tina  | 02/02/10    |  |      |          |         |      |      |  |  |  |  |          |        |          |  |  |  |  |         |       |          |  |  |  |  |       |      |          |  |  |  |  |            |             |             |  |  |  |  |   |  |          |  |  |  |  |
|      |   |      |  | 0.0 ± 0.35  | 0.00 ± 0.20   | Angles ± 3' |  |      |          |         |      |      |  |  |  |  |          |        |          |  |  |  |  |         |       |          |  |  |  |  |       |      |          |  |  |  |  |            |             |             |  |  |  |  |   |  |          |  |  |  |  |
|      |   |      |  |  |   | UNIT: mm    |  |      |          |         |      |      |  |  |  |  |          |        |          |  |  |  |  |         |       |          |  |  |  |  |       |      |          |  |  |  |  |            |             |             |  |  |  |  |   |  |          |  |  |  |  |
|      | 1   | 2    | 3  | 4   | 5   | 6           | 7  | 8    | 9        |         |      |      |  |  |  |  |          |        |          |  |  |  |  |         |       |          |  |  |  |  |       |      |          |  |  |  |  |            |             |             |  |  |  |  |   |  |          |  |  |  |  |