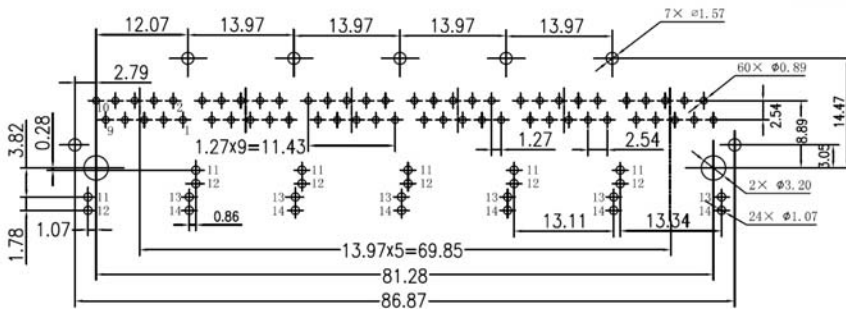


**SPECIFICATIONS**

Housing: Thermoplastic UL94V-0  
 Contact/Shield: Copper Alloy  
 Shield Plating: Nickel  
 Contact Plating: Gold 6 micro-inches min.  
 Wave Solder Temp: 265C Max, 5 Sec Max.



SUGGESTED PCB LAYOUT (TOP VIEW)

LED Color Codes	
Code	LED
R	Red
G	Green
Y	Yellow
O	Orange
A	Amber
D	Red/Green
E	Red/Yellow
W	Yellow/Green
P	Orange/Green
K	Blank

Panel Grounds (X)	
Blank	None
1,2	Top
4	Sides
5-6	Both

Series	Positions	Ports	Body Style	LED	Contacts	Color	Plating	Options
GCTJ	08	6	M688581	LXX	X	XX	PX	XX
Ganged modular jack	8 positions	2,4,6,8 Ports	RJ45 with 1000 base-TX magnetics	L=LEDs XX=Left/Right (see chart)	8 contacts	BK=Black	P0=6µ" P1=15µ" P2=30µ" P3=50µ"	Blank=None SX=Full shield (see chart)

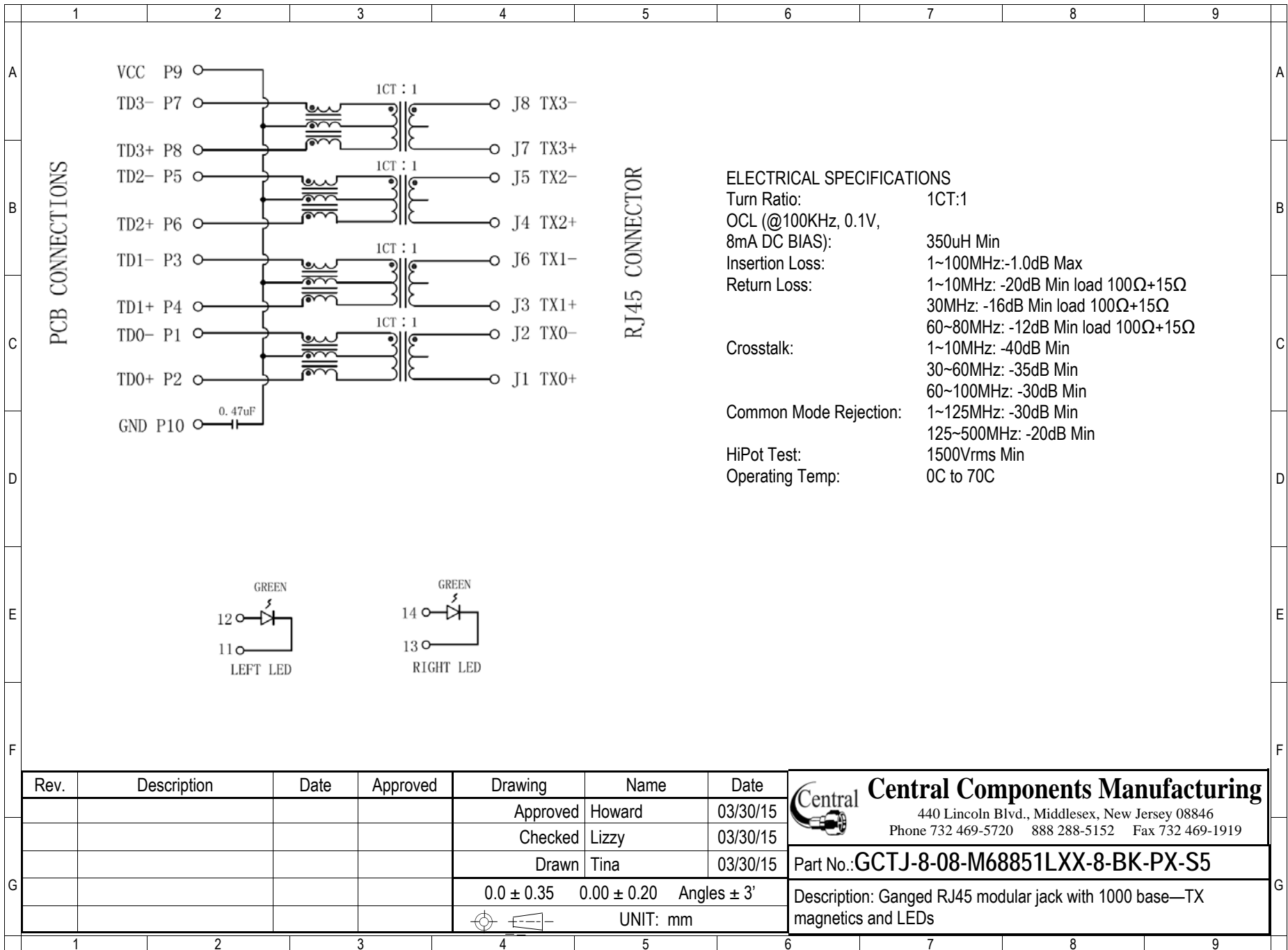
RoHS compliant

Rev.	Description	Date	Approved	Drawing	Name	Date
				Approved	Howard	03/30/15
				Checked	Lizzy	03/30/15
				Drawn	Tina	03/30/15
				0.0 ± 0.35	0.00 ± 0.20	Angles ± 3'
				UNIT: mm		

**Central Components Manufacturing**  
 440 Lincoln Blvd., Middlesex, New Jersey 08846  
 Phone 732 469-5720 888 288-5152 Fax 732 469-1919

Part No.: **GCTJ-8-08-M68851LXX-8-BK-PX-S5**

Description: Ganged RJ45 modular jack with 1000 base—TX magnetics and LEDs



**ELECTRICAL SPECIFICATIONS**

Turn Ratio:	1CT:1
OCL (@100KHz, 0.1V, 8mA DC BIAS):	350uH Min
Insertion Loss:	1~100MHz: -1.0dB Max
Return Loss:	1~10MHz: -20dB Min load 100Ω+15Ω 30MHz: -16dB Min load 100Ω+15Ω 60~80MHz: -12dB Min load 100Ω+15Ω
Crosstalk:	1~10MHz: -40dB Min 30~60MHz: -35dB Min 60~100MHz: -30dB Min
Common Mode Rejection:	1~125MHz: -30dB Min 125~500MHz: -20dB Min
HiPot Test:	1500Vrms Min
Operating Temp:	0C to 70C

Rev.	Description	Date	Approved	Drawing	Name	Date
				Approved	Howard	03/30/15
				Checked	Lizzy	03/30/15
				Drawn	Tina	03/30/15
				0.0 ± 0.35	0.00 ± 0.20	Angles ± 3'
				UNIT: mm		

**Central Components Manufacturing**  
 440 Lincoln Blvd., Middlesex, New Jersey 08846  
 Phone 732 469-5720 888 288-5152 Fax 732 469-1919

Part No.: **GCTJ-8-08-M68851LXX-8-BK-PX-S5**

Description: Ganged RJ45 modular jack with 1000 base—TX magnetics and LEDs