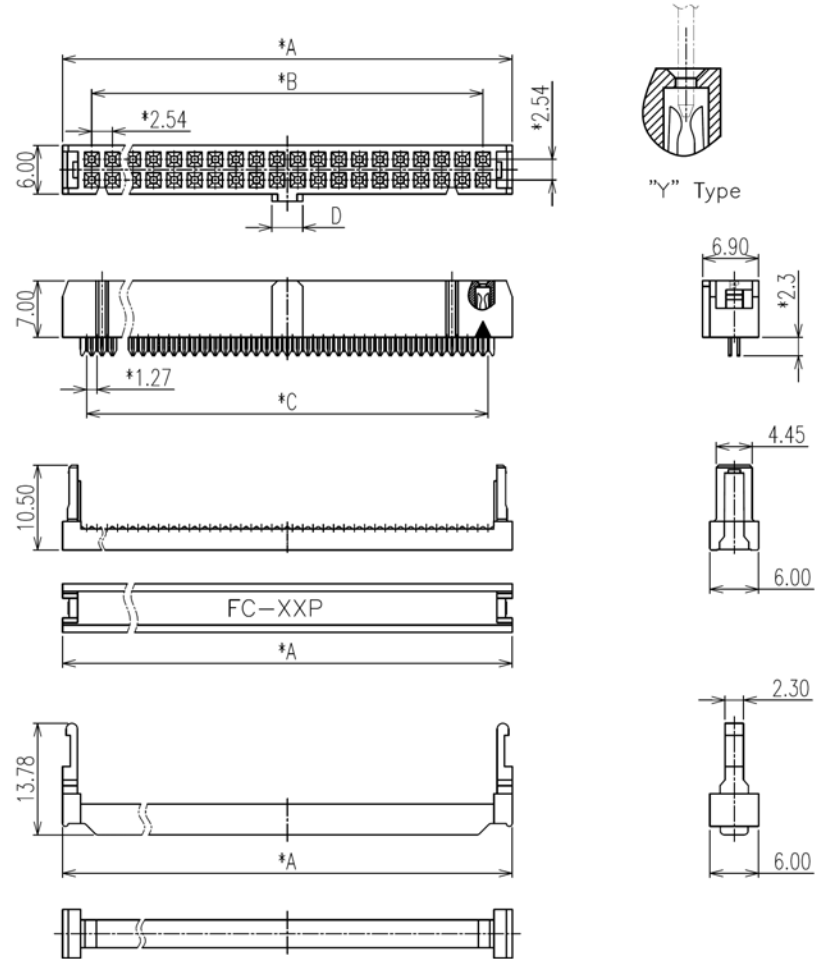


SPECIFICATIONS

Insulator: PBT glass reinforced, UL94V-0
 Contacts: Phosphor Bronze, dual wipe
 Contact plating: 50 mi gold over Nickel
 Operating voltage: 250 VAC max.
 Current rating: 1 amp max.
 Contact resistnace: 10 milliohms mix.
 Insulation resistance: 5000 megohms min.
 Dielectric withstanding: 1000 VAC min. RMS
 Operating temperature: -55°C to +125°C

Dimensions				
Item	A	B	C	D
06	12.30	5.08	6.35	3.80 / 1.80
08	14.84	7.62	8.89	3.80 / 1.80
10	17.38	10.16	11.43	3.80
12	19.92	12.70	13.97	3.80
14	22.46	15.24	16.51	3.80
16	25.00	17.78	19.05	3.80
18	27.54	20.32	21.59	3.80
20	30.08	22.86	24.13	3.80
24	35.16	27.94	29.21	3.80
26	37.70	30.48	31.75	3.80
30	42.78	35.56	36.83	3.80
32	45.32	38.10	39.37	3.80
34	47.86	40.64	41.91	3.80
36	50.40	43.18	44.45	3.80
40	55.48	48.26	49.53	3.80
44	60.56	53.34	54.61	3.80
48	65.64	58.42	59.69	3.80
50	68.18	60.96	62.23	3.80
60	80.88	73.66	74.93	3.80
64	85.96	78.74	80.01	3.80



Rev.	Description	Date	Approved	Drawing	Name	Date
				Approved	Howard	2/98
				Checked	Lizzy	2/98
				Drawn	Tina	2/98
				0.0 ± 0.35	0.00 ± 0.20	Angles ± 3'
				UNIT: mm		

Central Components Manufacturing
 628 State Highway 10, Unit 12, Whippany, NJ 07981
 973 884-1650 888 288-5152 Fax 973 884-9150

Part No.: **AFC-XX-XX-SG50-DW**

Description: flat cable socket, .100" by .100", 50 mi selective gold plated dual wipe contacts