



ADAPTER POWER SUPPLY

AC-DC 3W

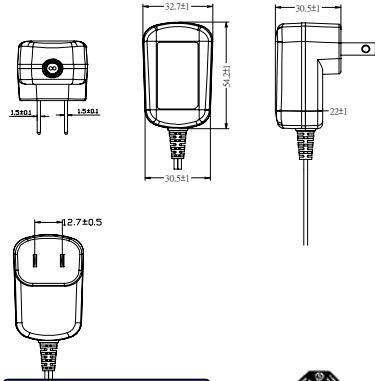
CT-036WU05

Features:

- Universal AC Input 90~264Vac
- Low ripple noise
- No minimum load requirement
- 100% burn in test
- 1 year warranty
- UL,cUL,FCC ,CB,standard
- Efficiency (Level V)



Dimension:



Model No.	Output		Additional Safety
CT-036WU05	5V	0.6A	

Specification:



Input	Voltage	AC 90V~264V Universal full range
	Frequency	47-63Hz
	Current	100mA
	Leakage Current	< 0.1mA
Others	Start up time	< 2000mS @ Minimum AC input
	Rise time	< 20mS
	Hold up time	> 20mS @ 230Vac/50Hz input
	Cooling	Natural Cooling
Environment	Temperature	Operating: 0~40°C;Storage: -10~+75°C
	Humidity	Operating: 20%~85%;Storage: 10%~95%(Non Converting)
M.T.B.F	50k Hours	
Safety	UL 60950-1, 1st Edition, CSA C22.2 No.60950-1-03, IEC 60950-1:2001, EN60950-1:2001+A11:2004, First Edition	
EMC	EMI	FCC CFR 47 PART 15





ADAPTER POWER SUPPLY

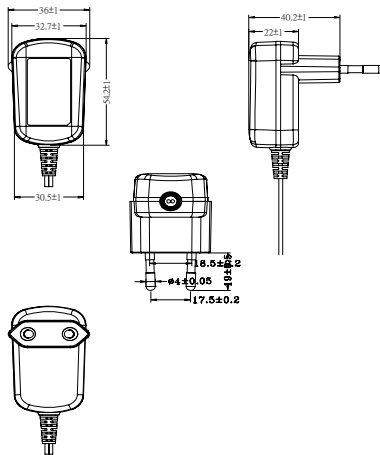
AC-DC 3W

CT-036WT05

Features:

- Universal AC Input 90~264Vac
- Low ripple noise
- No minimum load requirement
- 100% burn in test
- 1 year warranty
- GS,CE,CB, standard
- Efficiency (Level V)

Dimension:



Model No.	Output		Additional Safety
CT-036WT05	5V	0.6A	

Specification:



Input	Voltage	AC 90V~264V Universal full range
	Frequency	47-63Hz
	Current	100mA
	Leakage Current	< 0.1mA
Others	Start up time	< 2000mS @ Minimum AC input
	Rise time	< 20mS
	Hold up time	> 20mS @ 230Vac/50Hz input
	Cooling	Natural Cooling
Environment	Temperature	Operating: 0~40°C;Storage: -10~+75°C
	Humidity	Operating: 20%~85%;Storage: 10%~95%(Non Converting)
M.T.B.F	50k Hours	
Safety	UL 60950-1, 1 st Edition, CSA C22.2 No.60950-1-03 , IEC 60950-1:2001, EN60950-1:2001+A11:2004, First Edition.	
EMC	EMI	EN55022 , EN61000-3
	EMS	EN55024(EN61204-3) EN61000-4





ADAPTER POWER SUPPLY

AC-DC 3W

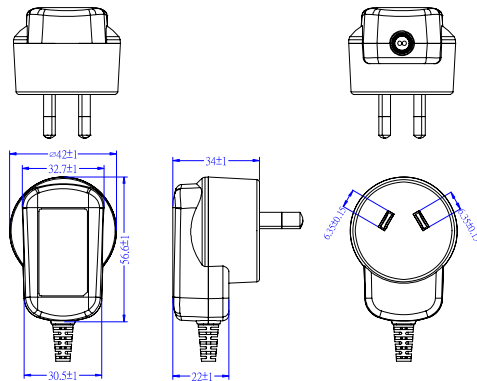
CT-036WSx

Features:

- Universal AC Input 90~264Vac
- Low ripple noise
- No minimum load requirement
- 100% burn in test
- 1 year warranty
- RCM,CB, standard
- Meet EPS 2.0 LEVEL V



Dimension:



Model No.	Output		Additional Safety
CT-036WS05	5V	0.6A	

Specification:



Input	Voltage	AC 90V~264V Universal full range
	Frequency	47-63Hz
	Current	300mA
	Leakage Current	< 0.1mA
Others	Start up time	< 2000mS @ Minimum AC input
	Rise time	< 20mS
	Hold up time	> 20mS @ 230Vac/50Hz input
	Cooling	Natural Cooling
Environment	Temperature	Operating: 0~40°C;Storage: -10~+75°C
	Humidity	Operating: 20%~85%;Storage: 10%~95%(Non Converting)
M.T.B.F	50k Hours	
Safety	UL 60950-1,CSA C22.2 No.60950-1,EN60950-1,IEC 60950-1	
EMC	EMI	CIPSR22 , EN55022 , EN61000-3





ADAPTER POWER SUPPLY

AC-DC 3W

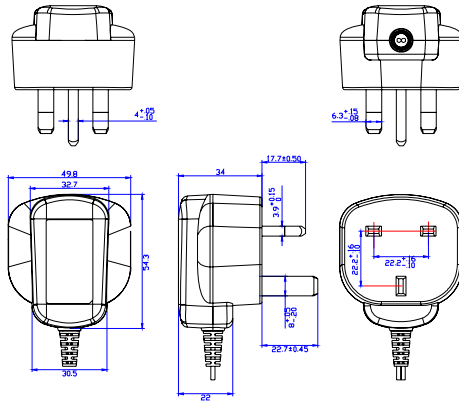
CT-036WExx

Features:

- Universal AC Input 90~264Vac
- Low ripple noise
- No minimum load requirement
- 100% burn in test
- 1 year warranty
- GS,CE,CB,standard
- Meet EPS 2.0 LEVEL V



Dimension:



Model No.	Output		Additional Safety
CT-036WE05	5V	0.6A	

Specification:



Input	Voltage	AC 90V~264V Universal full range
	Frequency	47-63Hz
	Current	300mA
	Leakage Current	< 0.1mA
Others	Start up time	< 2000mS @ Minimum AC input
	Rise time	< 20mS
	Hold up time	> 20mS @ 230Vac/50Hz input
	Cooling	Natural Cooling
Environment	Temperature	Operating: 0~40°C;Storage: -10~+75°C
	Humidity	Operating: 20%~85%;Storage: 10%~95%(Non Converting)
M.T.B.F	50k Hours	
Safety	UL 60950-1,CSA C22.2 No.60950-1,EN60950-1,IEC 60950-1	
EMC	EMI	EN55022 , EN61000-3
	EMS	EN55024(EN61204-3) EN61000-4





ADAPTER POWER SUPPLY

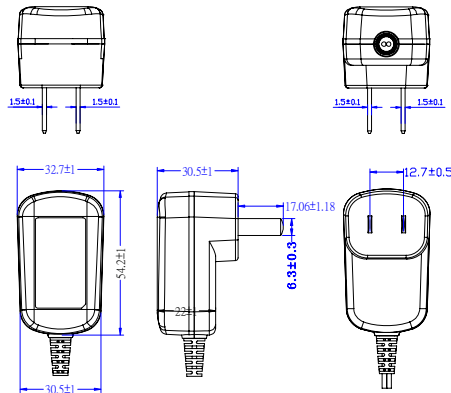
AC-DC 3W

CT-036WCxx

Features:

- Universal AC Input 90~264Vac
- Low ripple noise
- No minimum load requirement
- 100% burn in test
- 1 year warranty
- CCC ,CB,standard
- Meet EPS 2.0 LEVEL V

Dimension:



Model No.	Output	Additional Safety
CT-036WC05	5V 0.6A	

Specification:

REV.01 2011.9.28



Input	Voltage	AC 90V~264V Universal full range
	Frequency	47-63Hz
	Current	100mA
	Leakage Current	< 0.1mA
Others	Start up time	< 2000mS @ Minimum AC input
	Rise time	< 20mS
	Hold up time	> 20mS @ 230Vac/50Hz input
	Cooling	Natural Cooling
Environment	Temperature	Operating: 0~40°C;Storage: -10~+75°C
	Humidity	Operating: 20%~85%;Storage: 10%~95%(Non Converting)
M.T.B.F	50k Hours	
Safety	UL 60950-1,CSA C22.2 No.60950-1,EN60950-1,IEC 60950-1	
EMC	EMI	FCC CFR 47 PART 15

